

# ZONE OFFROAD

D8301-D8311

Dodge 1500

## Ball Joint Replacement Instructions

**Read and understand all instructions and warnings prior to installation of product and operation of vehicle.**

Zone Offroad Products recommends this system be installed by a professional technician. In addition to these instructions, professional knowledge of disassembly/ reassembly procedures and post installation checks must be known.

### Difficulty Level

easy 1 2 **3** 4 5 difficult

Estimated installation: hours

### Special Tools Required

Ball Joint Press

### Tire/Wheel Fitment

N/A

## INSTALLATION INSTRUCTIONS

1. Park vehicle on a clean, flat, and level surface. Block the wheels for safety.
2. Raise front of vehicle, and support frame rails with jack stands. Remove front wheels.
3. Disconnect the upper ball joint from steering knuckle. Do not allow the brake line or ABS line to hold the knuckle up in place. Strap knuckle in place if necessary.
4. Remove the grease fitting, remove the cap, remove the circlip that retains the ball joint. Early models from Zone used a circlip to hold the cap in place. This must be removed prior to disassembly, and can be reinstalled afterwards. Use a ball joint press, remove the ball joint from arm.
5. Install new ball joint with ball joint press. Note: Ball joints are orientation specific. There will be a dimple or hole to indicate which direction the ball joint has more range of motion. This hole needs to face either towards the inside of the vehicle, or outside of the vehicle. Improper installation can cause premature failure. Reinstall cap and grease fitting, also install the circlip.
6. Reattach to steering knuckle, install cotter pin, and torque to factory specifications. Reinstall wheels and lower vehicle to the ground.
7. **GREASE BALL JOINT AT THIS TIME!** Grease again at regular service intervals.

### D8301 - D8311 Kit Contents

#### Qty Part

#### D8301 - Dodge Ball Joint

1 Ball Joint - Dodge 1500

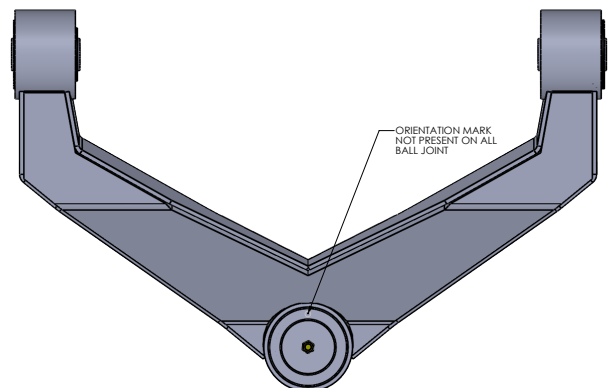
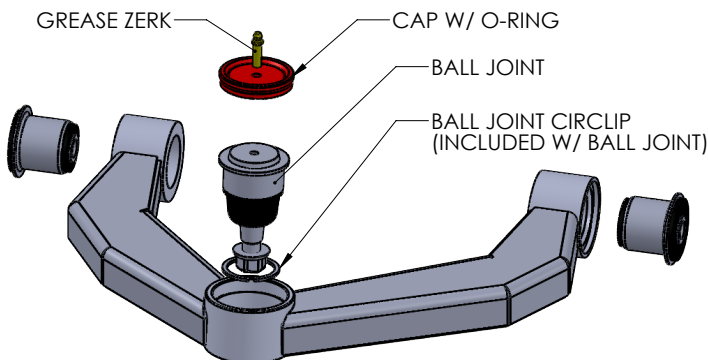
#### D8311 - Dodge 1500 Ball Joint Master Kit

1 Ball Joint - Dodge 1500

1 Anodized Cap

1 O-Ring

1 Grease Fitting



rev010826