

Adjustable Rear Track Bar

Ford Bronco | 2021-2025

Part #: 123206

Rev. 060425



491 W. Garfield Ave., Coldwater, MI 49036 • Phone: 517-279-2135

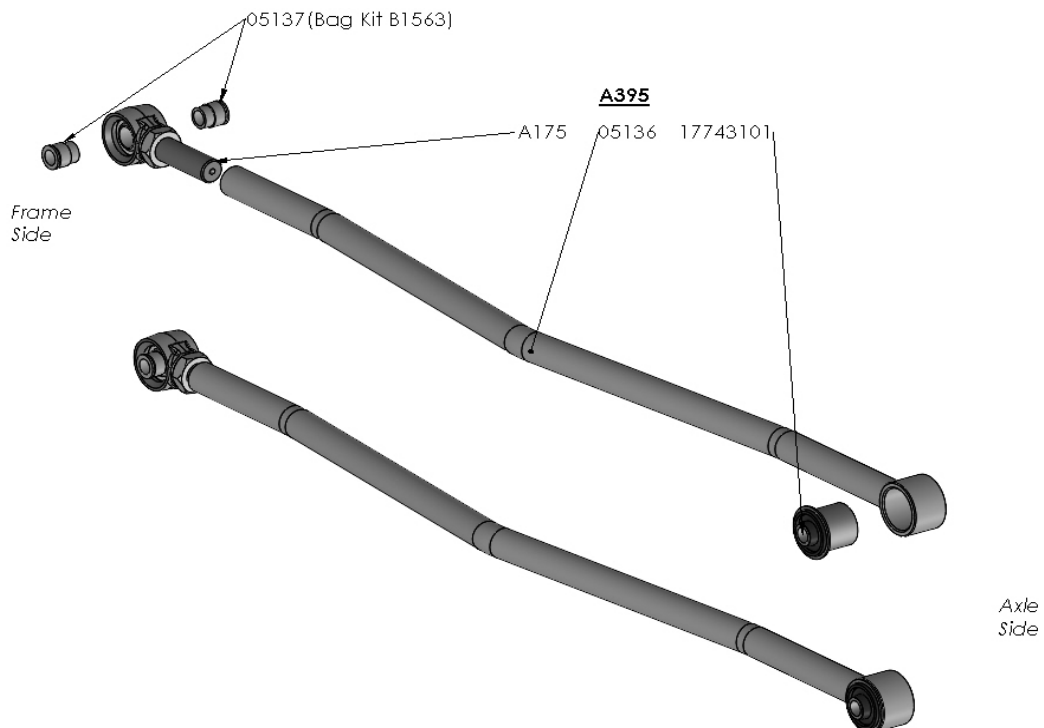
www.bds-suspension.com • E-mail: tech-bds@ridefox.com

SAFETY WARNING

BDS Suspension Co. recommends this system be installed by a professional technician. In addition to these instructions, professional knowledge of disassembly/ reassembly procedures and post installation checks must be known.

Box Kit		
Part #	Qty	Description
B1563	1	Track Bar Bag Kit
05137	2	2021+Ford Bronco Track Bar COM Adapter
A395	1	2021+Ford Bronco Track Bar Assembly
05136	1	2021+Ford Bronco Track Bar Long End
17743101	1	2021+Ford Bronco Track Bar Rubber Bushing
A175	1	Forged End with 7/8 COM

BDS123206



INSTALLATION INSTRUCTIONS

1. Park vehicle on clean flat and level surface.
2. Block the front wheels for safety.
3. Raise the rear of the vehicle and support with jack stands at each frame rail in front of the lower control arms.
4. Disconnect the rear track bar by removing the axle side bolt. **Fig. 1.**

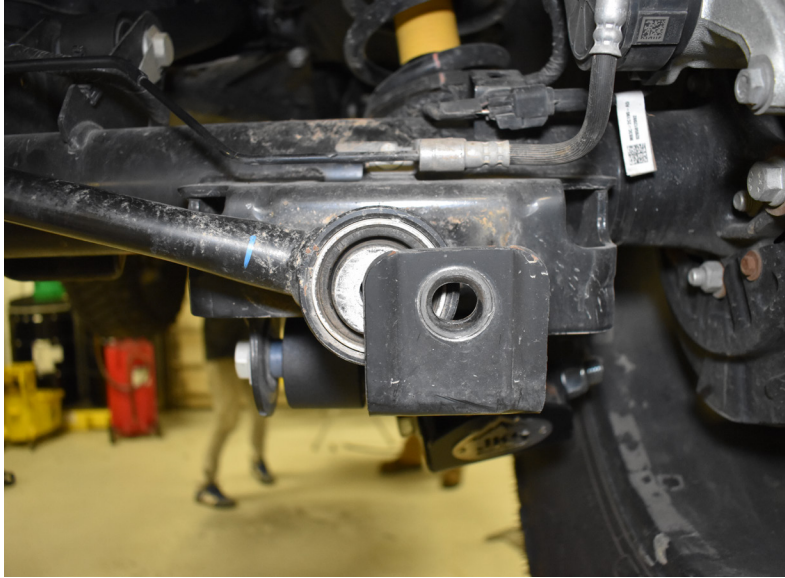


FIGURE 1

5. Disconnect the other end of the track bar by removing the frame side nut. **Fig. 2** Remove the stock track bar, retain all hardware.



FIGURE 2

6. Set the new track bar to length. You can measure your factory track bar from center to center for a good starting point. For reference, at stock height the track bar is 44-1/4". NOTE: When installed correctly the bend in the track bar should bend towards the rear of the vehicle.

7. Install the adjustable end of you new trackbar into the frame side bracket using the factory hardware. **Fig. 3**

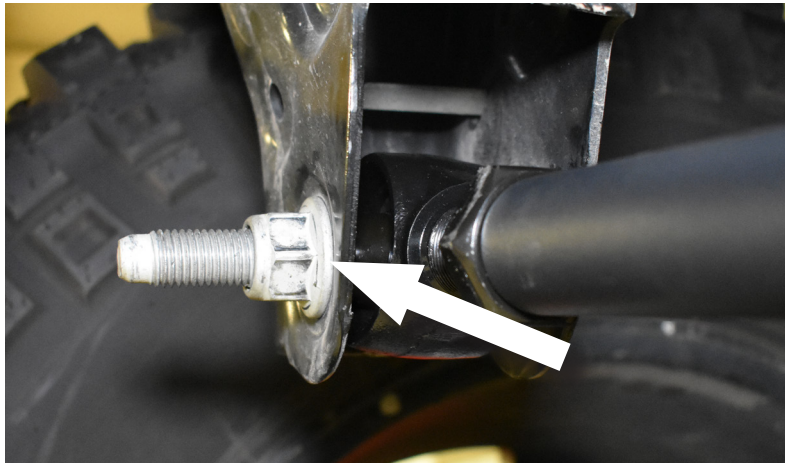


FIGURE 3

8. Remove jack stands and lower vehicle to ground. Install opposite end of the trackbar into the axle mount. **Fig 4.** If needed have a second person push on the body of the vehicle to to align the track bar sleeve with the hole in the bracket.

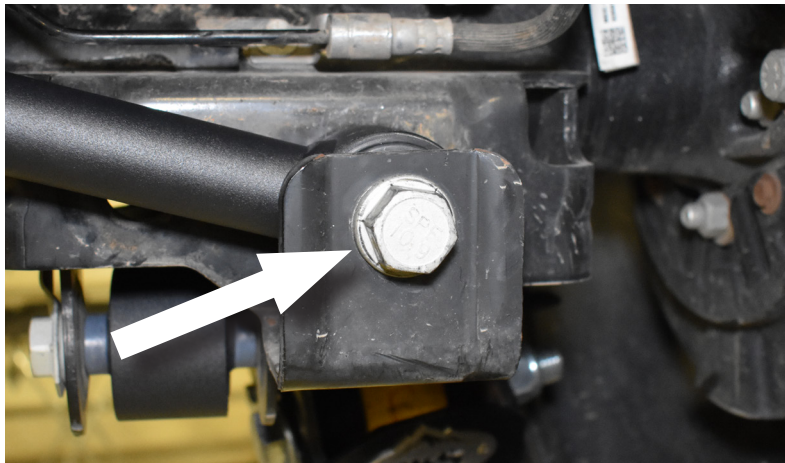


FIGURE 4

9. Determine if the axle housing is centered by measuring the distance between the tire and chassis, using the exact same points on each side of the vehicle to ensure accuracy.



Tip

For example, measure from the edge of a tire tread lug to the outboard side of the chassis, then repeat the measurement on the other side of vehicle using exact same points

10. If the two measurements are equal, the axle is centered. If the measurements vary, divide the difference in half to determine the amount of adjustment required.



Tip

Vehicle must be at normal ride height, on level ground, with the suspension supporting the full vehicle weight.

11. To adjust, disconnect either side of the trackbar. Loosen the jam nut on the adjustable end. Thread the joint in/out to move the axle left/right respectively.
12. Once the axle is centered, Torque both ends of the trackbar to 159 ft-lbs. **NOTE:** Axle side of the track bar must be torqued under load. If tightened with axle suspended, early bushing wear could occur.
13. Tighten jam nut.
14. Check hardware after 500 miles and at maintenance intervals, including the jam nut. Re-torque if necessary.



WE WANT TO SEE YOUR RIDE!

Grab photos of your BDS-equipped truck in action and send them in for a chance to be featured. Send it in to our Bad Ass Rides customer gallery at bds-suspension.com/bar and post them on the BDS Fan Page on Facebook at facebook.com/BDSSuspensions. Don't forget about your BDS swag! BDS offers t-shirts, hoodies, decals and more available on the BDS website or through your local BDS distributor.

TIME TO HAVE SOME FUN

Thank you for choosing BDS Suspension.

For questions, technical support and warranty issues relating to this BDS Suspension product, please contact your distributor/installer before contacting BDS Suspension directly.