

**GM TRUCK / SUBURBAN, YUKON, YUKON-XL, TAHOE /
AVALANCHE without flares and cladding
FRONT MUD GUARD INSTALLATION INSTRUCTIONS**

*Install paint protection film before mud guards (see other side).
Please read instructions thoroughly before installation.*

Tools Required:

- 1/8" drill bit / Drill
- Center punch / Hammer
- Short Phillips screwdriver or drill attachment
- Flat head screwdriver
- Marking utensil (fine tip marker, grease pencil, etc.)

Package Contents

- Driver (LH) & passenger (RH) side mud guards
- #10 Combo Screw (qty. 6)
- U-Clip (qty. 4)
- Instruction sheet
- Paint Protection Film

NOTE: Turn the front wheels all the way to the left or right for mud guard installation. However, it may be necessary to remove the wheels depending on the tools being used for installation.

1. Clean and degrease the mud guard location area on the fender before installation.
2. Remove existing plastic rivets from locations A, B, and C by prying insert (1) out of sleeve (2) with a flat tip screwdriver and removing the sleeve (2) (Figure 1 and 2).
3. Pull the fender liner back and slide a U-Clip over locations C and D (Figure 1 and 3).
NOTE: the upper factory fender hole will not be used.
4. Reinstall fender liner with existing plastic rivets at locations A and B (LINER SHOULD NOT OVERLAP MUD GUARD).
5. Attach mud guard at location D with a #10 screw. Adjust accordingly before tightening screw.
6. Center punch and drill a 1/8" hole at location E and fasten with a #10 screw.
7. Install a fender washer and #10 screw at location C.

NOTE: MUD GUARD WAS DESIGNED TO USE FACTORY FENDER HOLES WHERE POSSIBLE. If holes do not line up, place mud guard against fender, mark new hole locations onto the mud guard and drill a 1/4" hole through mud guard.

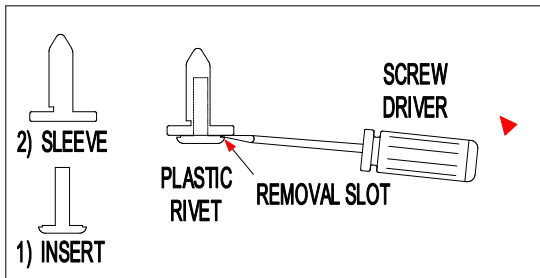


Figure 2

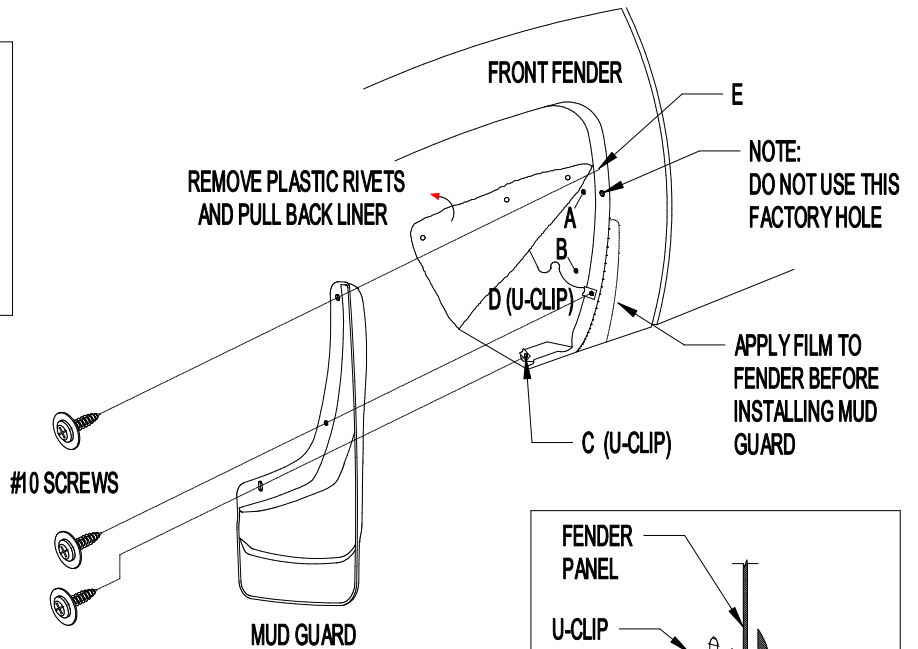
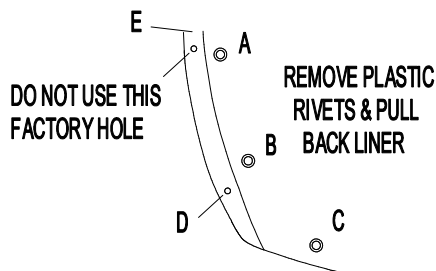


Figure 1

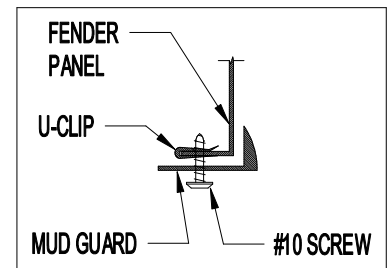


Figure 3



PAINTING INSTRUCTIONS

Note: *If painting mud guards, perform a mud guard test fit to ensure correct fit and application prior to painting.*

1. Clean mud guard with a soap and water solution to remove dirt and other contaminants.
2. Sand painting surface with 320 grit sand paper.
3. Apply a coating of flexible primer-adhesion promoter.
4. Apply a flexible paint as directed by the paint manufacturer

PAINT PROTECTION FILM - INSTALLATION INSTRUCTIONS

NOTE: *The Paint Protection Film is a precut template of film used to protect the mud guard mounting surfaces of your fenders against wear. The templates (left and right side) can be removed from the backing liner by folding the liner at the center cut of the template, separating the film sides and peeling the film templates from the backing liner.*

1. Position mud guard on fender to indicate placement location of paint protection film.
2. Clean the placement area of fender with a clean cotton cloth and a petroleum distillate based cleaner such as DuPonts Prep-Sol Brand Solvent Cleaner or 3M Brand Adhesive Cleaner and dry.
3. Mix a wetting solution of 1 pint of water with 4 drops of liquid dishwashing detergent.
4. Mark correct position of film by placing mud guard against fender. **Make sure film extends beyond edge of mud guard contour a minimum of an 1/8".**
5. Remove protection film from liner and flood adhesive side of film with wetting solution (use a spray bottle or sponge).
6. Thoroughly wet film placement location of fender with wetting solution.
7. Position the adhesive side of film on fender and flood with wetting solution.
8. Check location of film with mud guard and reposition as necessary.
9. Using a sponge, squeegee any air bubbles and wrinkles from film.
10. Allow film to dry before installing mud guard.

