





FITTING INSTRUCTIONS

Part Number:	3500850 / 3501070
Product Description:	SUMMIT RFL COVER SUMMIT RFL COVER MATT BLACK DOES NOT SUIT 200 OR Y62
Suited to vehicle/s:	FORD RANGER 2015 ON & EVEREST (NOT TITANIUM) TOYOTA HILUX 2015 ON MAZDA BT50 MITSUBISHI TRITON NISSAN NP300 NAVARA LAND ROVER DISCOVERY 4 UPGRADE

HAVE AVAILABLE THESE SAFETY ITEMS WHEN FITTING PRODUCT:

Protective eyewear		Hearing protection	
---------------------------	---	---------------------------	---

FASTENER TORQUE SETTINGS:

SIZE	Torque (Nm)	Torque (ftlb)
M6	9	7

REQUIRED TOOLS FOR FITMENT OF PRODUCT:

BASIC TOOL KIT	LOW TACK MASKING TAPE
----------------	-----------------------

ARB 4x4 ACCESSORIES

Corporate Head Office

42-44 Garden St
Kilsyth, Victoria
AUSTRALIA 3137

Tel: +61 (3) 9761 6622
Fax: +61 (3) 9761 6807

Australian enquiries
North & South American enquiries
Other international enquiries

sales@arb.com.au
sales@arbusa.com
exports@arb.com.au

www.arb.com.au

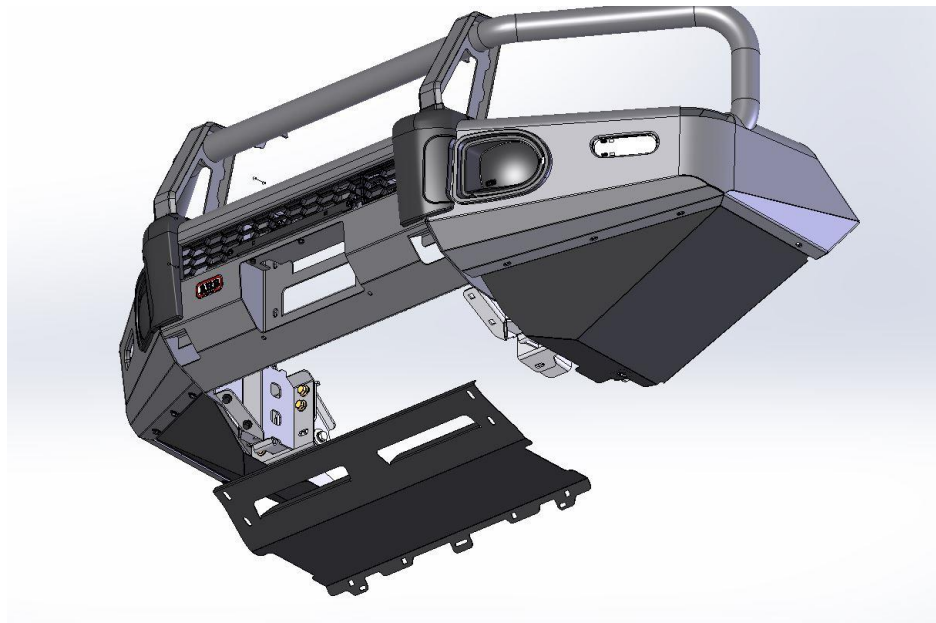
PARTS LISTING

APPLICATION.	PART NO.	DESCRIPTION	QTY
FIT COVER TO BAR	6523108 OR	SUMMIT BAR – RFL COVER	1
	6523545	SUMMIT BAR - RFL COVER MATT BLK	
	6151228	BOLT M6 x 1.0 x 30 BZ	4
	6151315	NUT CAGED M6 0.7-1.6	4
	4581082	WASHER FLAT M6x20 ZNB480	8

FITTING PROCEDURE

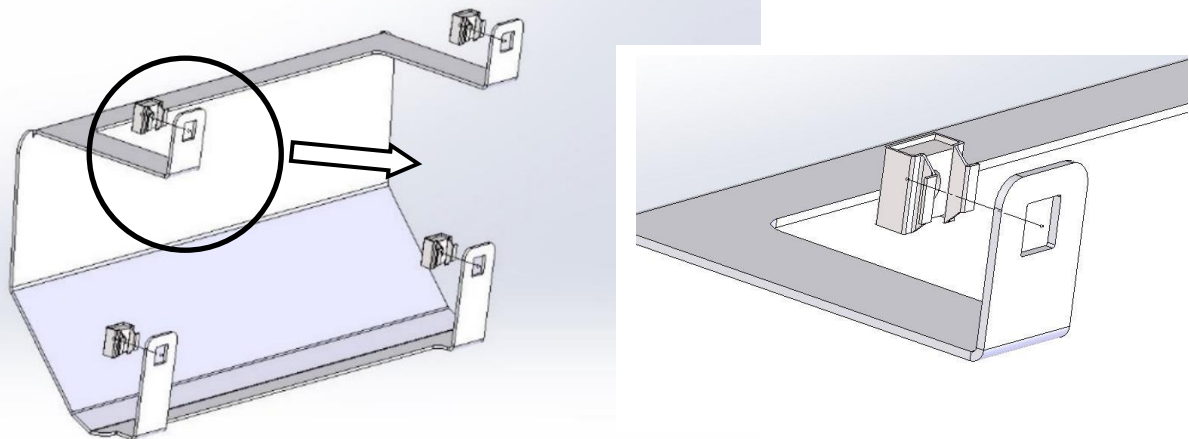
Note: Read the instructions thoroughly before starting.

1. Remove centre Stone Guard Panel and number plate if required.



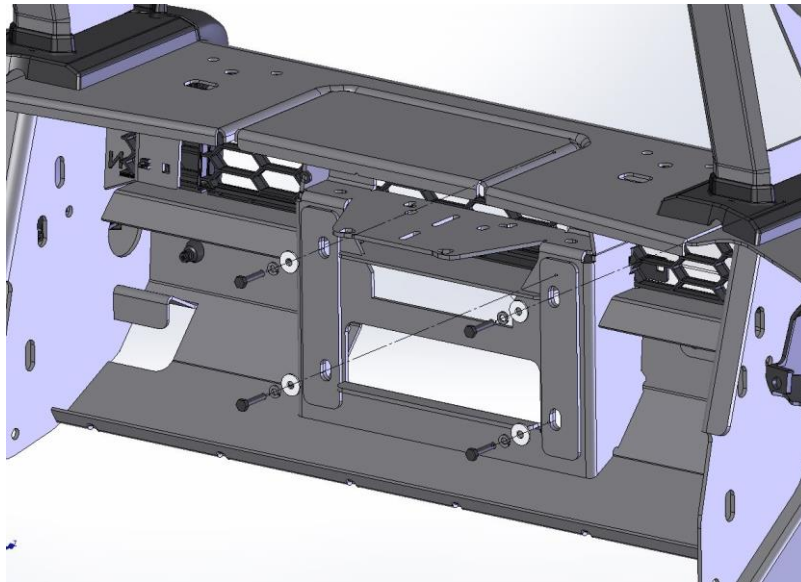
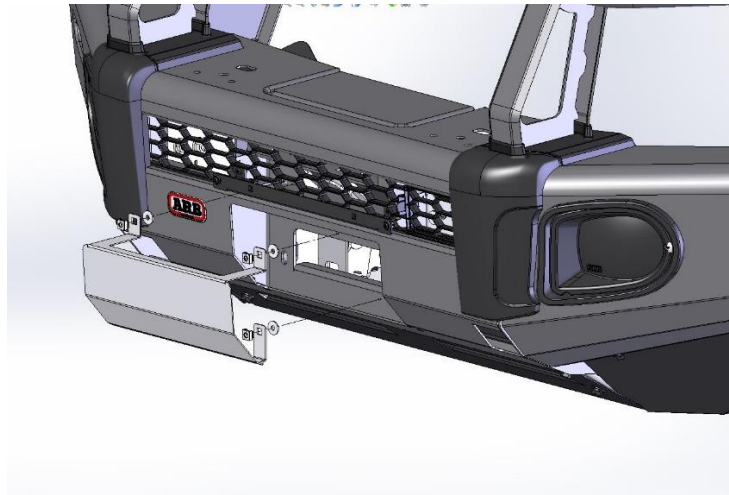
2. Fit 4 x M6 cage nuts to Cover Panel.

Note: Cage nut body to be located on top side of Cover Panel, as shown.

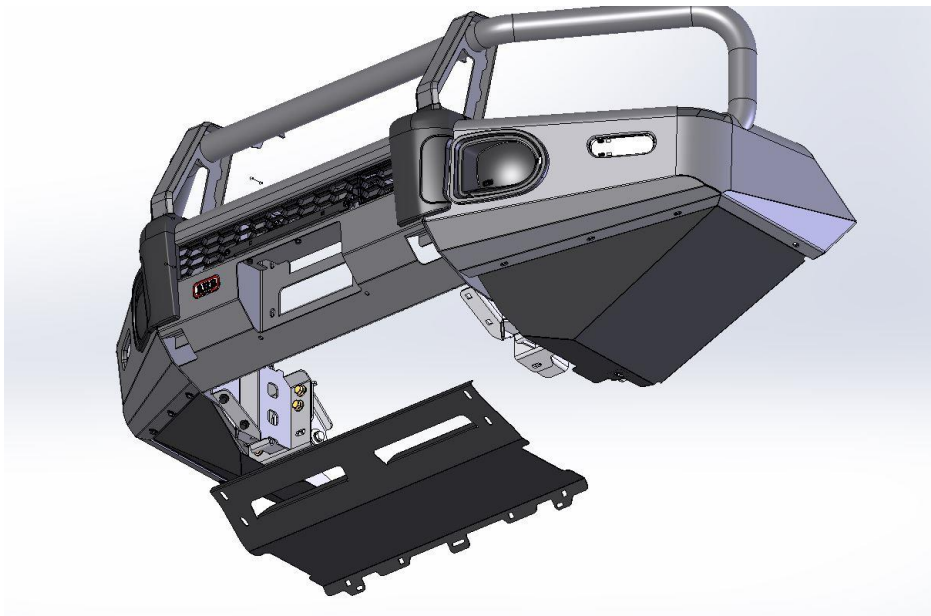


3. Fasten Cover Panel to bull bar using 4 x M6 bolts, 4 x M6 flat washers.

Note: Extra washers have been provided to place between panel and bar for adjustment with the fitment.



4. Refit underpanel in reverse order of removal



FITTED PRODUCT



GENERIC PICTURE – MAY NOT BE ACTUAL PRODUCT