

ARB **BASE RACK**

FITTING INSTRUCTION

Part Number(s):	Suits BASE RACK:
17915010	1770040
17915030	1770020
17915070	1770020
17915080	1770040
17915090	1770020

Product Description: **BASE RACK fitting kit suits Land Cruiser 200 series**

WARNING

NOTE THE FOLLOWING:

- ◆ Vehicle accessories which are not properly fitted can be dangerous.
- ◆ Please read these instructions carefully prior to fitting, and comply with the instructions at all times
- ◆ If in any doubt please contact your nearest ARB state office or the stockist from whom it was purchased.
- ◆ Do not use this product for any vehicle make or model, other than those specified by ARB.
- ◆ This product or its fixing must not be modified in any way.
- ◆ The installation of this product may require the use of specialized tools and/or techniques
- ◆ It is recommended that this product is only installed by trained personnel
- ◆ These instructions are correct as at the publication date. ARB Corporation Ltd. cannot be held responsible for the impact of any changes subsequently made by the vehicle manufacturer
- ◆ During installation, it is the duty of the installer to check correct operation/clearances of all components
- ◆ Work safely at all times
- ◆ Unless otherwise instructed, tighten fasteners to specified torque
- ◆ Check bolt torque after 500km & at regular service intervals

ARB 4x4 ACCESSORIES

Corporate Head Office

42-44 Garden St
Kilsyth, Victoria
AUSTRALIA 3137

Tel: +61 (3) 9761 6622
Fax: +61 (3) 9761 6807

Australian enquiries
North & South American enquiries
Other international enquiries

sales@arb.com.au
sales@arbusa.com
exports@arb.com.au

www.arb.com.au

SAFETY

NET PAYLOAD FOR YOUR BASE RACK

The net payload for your BASE RACK is calculated by subtracting the weight of the BASE RACK and the vehicle mounting kit from the vehicle's roof capacity. The table below gives the BASE RACK net payload for fitting kit 17951010, 17915030, 17915070, 17915080 & 17915090, using the vehicles maximum vehicle roof capacity. The vehicle's roof load capacity may vary between models and driving conditions. Refer to vehicle owner's manual for model and condition specific roof load capacities.

Kit	BASE RACK	Vehicle roof capacity* (kg/lb)	BASE RACK + mount kit (kg/lb)	BASE RACK net payload (kg/lb)
17915010	1770040	200 / 440	33 / 74	167 / 366
17915030	1770020	150 / 330	25 / 55	125 / 275
17915070	1770020	150 / 330	25 / 55	125 / 275
17915080	1770040	200 / 440	33 / 74	167 / 366
17915090	1770020	150 / 330	25 / 55	125 / 275

* Maximum roof load capacity. Refer to vehicle owner's manual for model and condition specific roof load capacities.

It is important to follow the listed usage instructions;

- ◆ Maximum load per BASE RACK beam is 25kg.
- ◆ Load must be evenly distributed and adequately secured.
- ◆ Any weight carried on the roof of the vehicle will adversely affect its handling, particularly in cornering or in a cross-wind, the vehicle should therefore be driven with increased discretion.
- ◆ Regularly check the tightness of the securing clamps and the security of the load.
- ◆ Attention is directed to statutory requirements regarding maximum permissible projections from vehicles.

All bolts should be checked prior to touring to ensure the tray is fastened correctly

GENERAL CARE AND MAINTENANCE

By choosing an ARB BASE RACK, you have bought a product that is one of the most sought after 4WD products in the world. Your BASE RACK is a properly engineered, reliable, quality accessory that represents excellent value. To keep your BASE RACK in original condition it is important to care and maintain it following these recommendations:

- As part of any pre-trip preparation, or on an annual basis, it is recommended that a thorough visual inspection of the BASE RACK is carried out, making sure that all bolts and other components are torqued to the correct specification. Replace any components as necessary.

Please contact local Authorised ARB Stockist if you would like to have this service carried out on your behalf.

FITTING REQUIREMENTS

REQUIRED TOOLS FOR FITMENT OF PRODUCT:

10mm spanner x 2	13mm spanner x 1
Allen key set	Torx key set
Pen/pencil	Socket set
Tape measure	


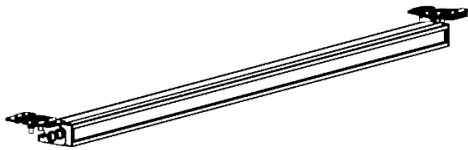
NOTE: 'WARNING' notes in the fitting procedure relate to OHS situations, where to avoid a potentially hazardous situation it is suggested that protective safety gear be worn or a safe work procedure be employed. If these notes and warnings are not heeded, injury may result.

FASTENER TORQUE SETTINGS:

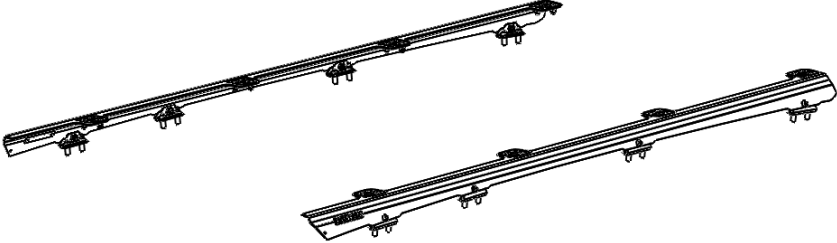
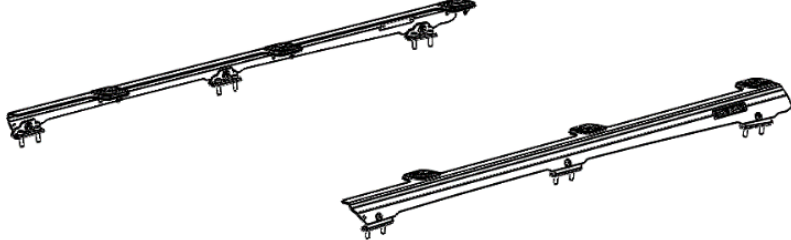
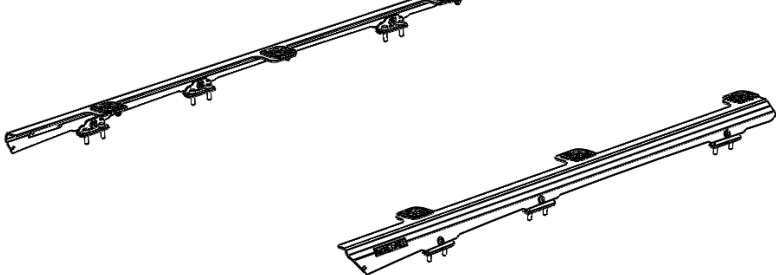
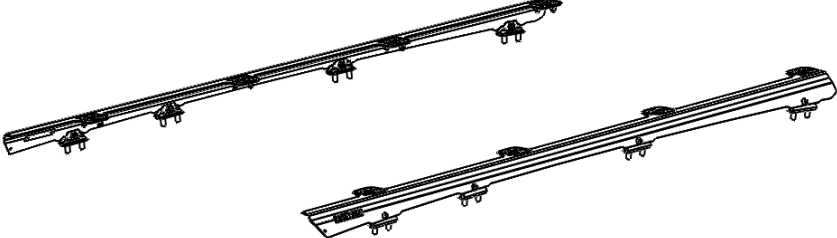
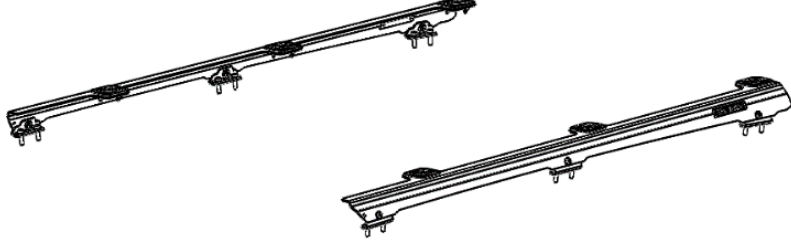
SIZE	Torque Nm	Torque lbft
M6	9Nm	7lbft
M8	22Nm	16lbft

Air Deflector and Base Rack Light Bar



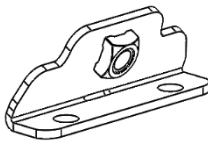

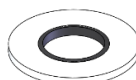

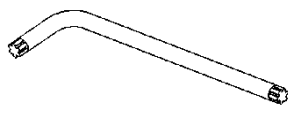
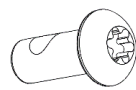
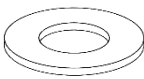
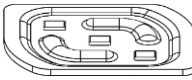
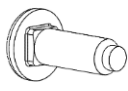

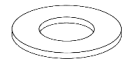
An air deflector or BASE RACK Light Bar should be fitted beneath the front edge of the BASE RACK. Refer to the table below for the correct part number. If fitting the light bar in front of the BASE RACK, an Air Deflector should also be fitted. Refer to the instructions provided with these products for further details.

		PART NUMBER	BASE RACK FITTING KIT
AIR DEFLECTOR		17915040	17915010 17915070
		17915060	17915030
		Included	17915080 17915090
BASE RACK LIGHT BAR		1780500	17915010 17915030 17915070








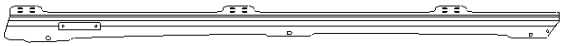
PARTS LISTING - BASE RACK fitting kit

PART NUMBER	SUITS BASE RACK	QTY	DIAGRAM
17915010	1770040	1	
17915030	1770020	1	
17915070 (dual cab)	1770020	1	
17915080	1770040	1	
17915090	1770020	1	

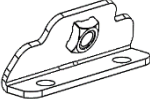



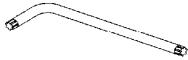
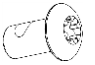

PARTS LISTING 17915010

PART NO.	PICTURE	QTY	DESCRIPTION
APPLICATION – MOUNTING BRACKETS TO ROOF			
3752737L		1	BLADE BRACKET LC200 2125 LH
3752737R		1	BLADE BRACKET LC200 2125 RH
3752748		8	MOUNTING BRACKET W/ WELD NUT
6151184		16	M8 X 1.25 X 30MM SOCKET HEAD CAP
4584415		16	M8 WASHER FLAT - BONDED
5846403		8	RUBBER PACKER
6151934		1	TORX ALLEN KEY
6151924		8	M8 X 1.25 X 20 BUTTON HEAD TORX - BLK
4581085		8	M8 WASHER FLAT - BLACK
APPLICATION – BASE RACK TO MOUNTING BRACKETS			
3195184		8	M8 STUD PLATE
6151916		16	M8 X 25 STUD - BLACK
6151212		16	M8 X 1.25 NYLOC NUT - BLACK
4581085		16	M8 WASHER FLAT - BLACK

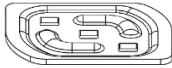
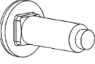
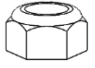

PARTS LISTING 17915030 / 17915070

PART NO.	PICTURE	QTY	DESCRIPTION
APPLICATION – MOUNTING BRACKETS TO ROOF			
17915030			
3752739L		1	BLADE BRACKET LC200 1545 LH
3752739R		1	BLADE BRACKET LC200 1545 RH
17915070 (dual cab)			
3750739L		1	BRKT BLADE LC200 DC 1545 LH
3750739R			BRKT BLADE LC200 DC 1545 RH
17915080 (USA Spec w/Roof Antennae)			
3752739L		1	BLADE BRACKET LC200 USA 2125 LH
3752739R		1	BLADE BRACKET LC200 USA 2125 RH
17915090 (USA Spec w/Roof Antennae)			
3752739L		1	BLADE BRACKET LC200 USA 1545 LH
3752739R		1	BLADE BRACKET LC200 USA 1545 RH

COMMON FITTING KIT COMPONENTS

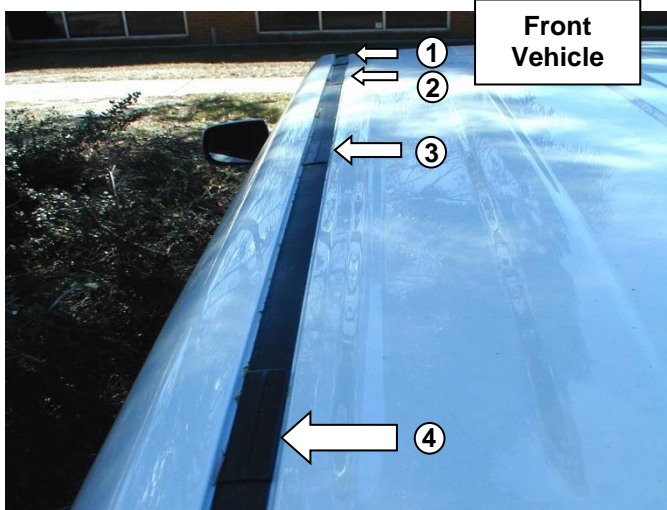
3752748		6	MOUNTING BRACKET W/ WELD NUT
6151184		12	M8 X 1.25 X 30MM SOCKET HEAD CAP
4584415		12	M8 WASHER FLAT - BONDED
5846403		6	RUBBER PACKER
6151934		1	TORX ALLEN KEY
6151924		6	M8 X 1.25 X 20 BUTTON HEAD TORX - BLK
4581085		6	M8 WASHER FLAT - BLACK

APPLICATION – BASE RACK TO MOUNTING BRACKETS

3195184		6	M8 STUD PLATE
6151916		12	M8 X 25 STUD - BLACK
6151212		12	M8 X 1.25 NYLOC NUT - BLACK
4581085		12	M8 WASHER FLAT - BLACK

BEFORE STARTING, READ ALL STEPS OF THE INSTRUCTIONS CAREFULLY AND CHECK ALL PARTS

STEP 1: REMOVAL OF CHANNEL COVERS OR ROOF BARS

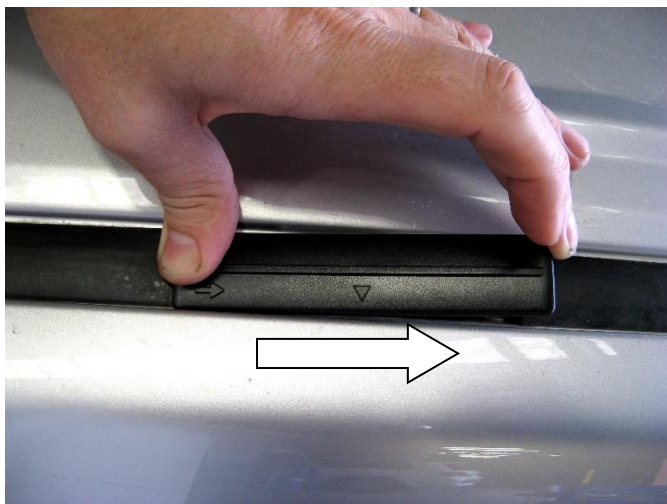


1. If fitted, remove factory roof rails.
2. Remove the plastic covers in the vehicles roof channels. The number of covers removed will depend on the BASE RACK being fitted

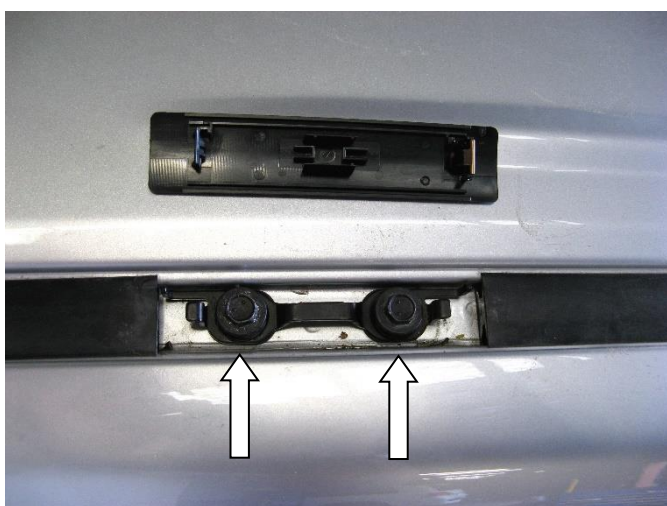
For 17915010 remove all 4.

For 17915030 remove 2, 3, and 4.

For 17915070 remove 1, 2 and 3.

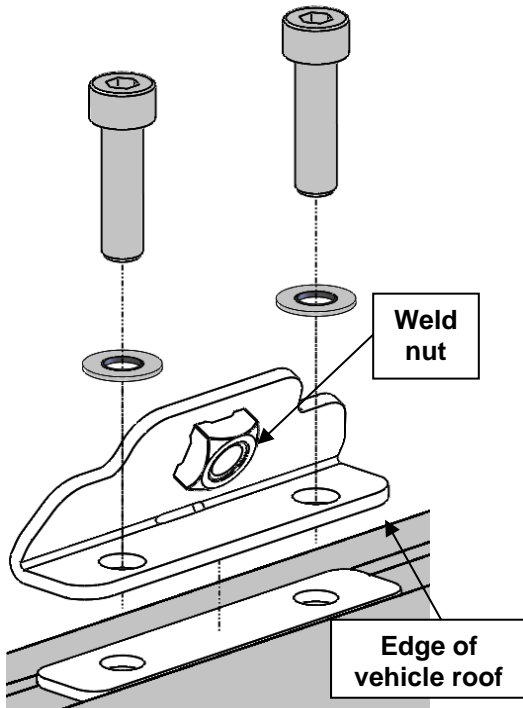


3. To remove the plastic covers push in the direction of the arrows and then lift the forward end up.



4. Having removed the plastic covers, using a 10mm socket, remove all the brackets from the roof. Discard plastic cover, brackets & fasteners unless required.

STEP 2 – ATTACH MOUNTING BRACKETS TO ROOF

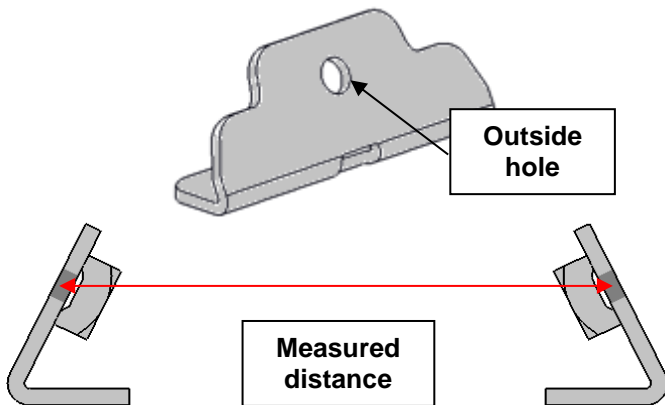


5. Place a rubber packer over each of the sets of holes in the roof channels
6. Position the mounting bracket so the weld nut is facing towards the centre of the vehicle. Attach each bracket to the roof mounting points using M8 Socket head screws and M8 Bonded washers. See image.

Tighten screws to specified torque



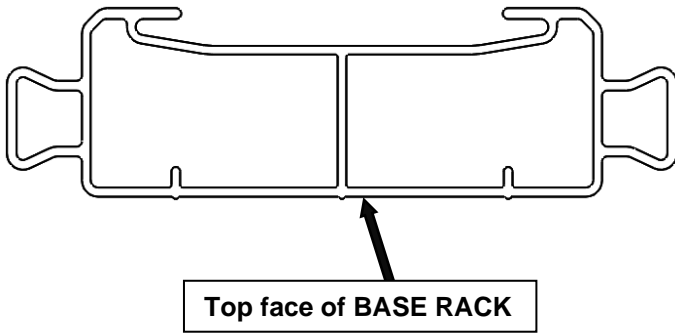
Torque M8 to 22Nm



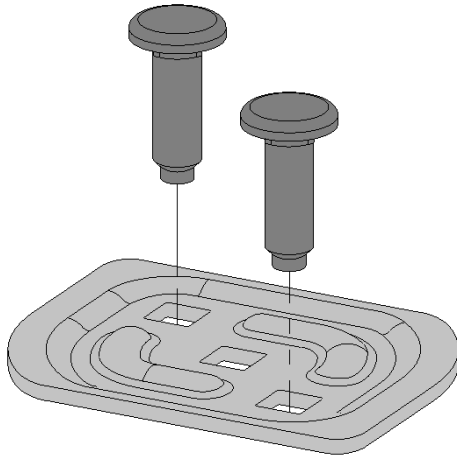
7. Using a tape measure, measure across the vehicle between the middle of the hole on the outside face of the front and rear set of mounting brackets. Make a note of each measurement.

Position	Distance
Front	
Rear	

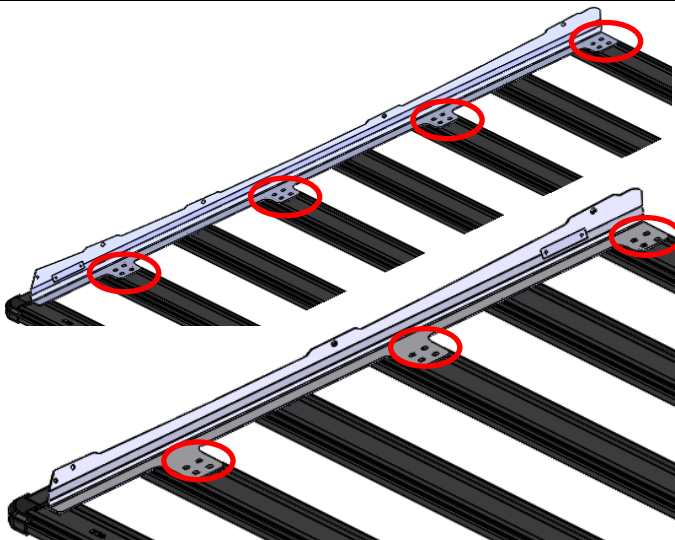
STEP 3 – ASSEMBLE THE BASE RACK



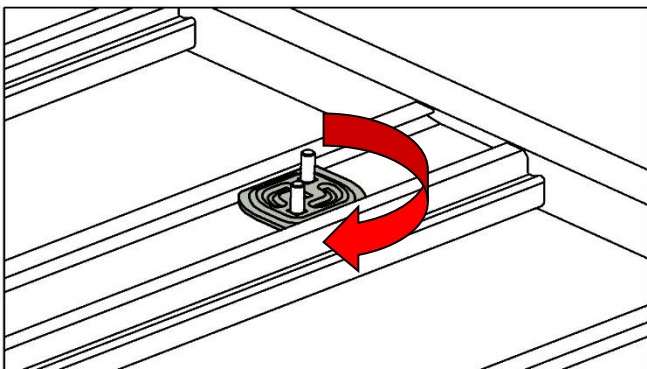
8. Place the BASE RACK face down on a clean flat surface. Provide protection to the top face of BASE RACK to avoid marking of surfaces



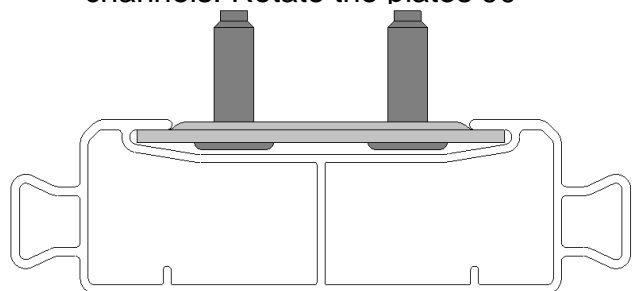
9. Insert 2, M8 x 25 Studs into each of the Stud Plates as shown.

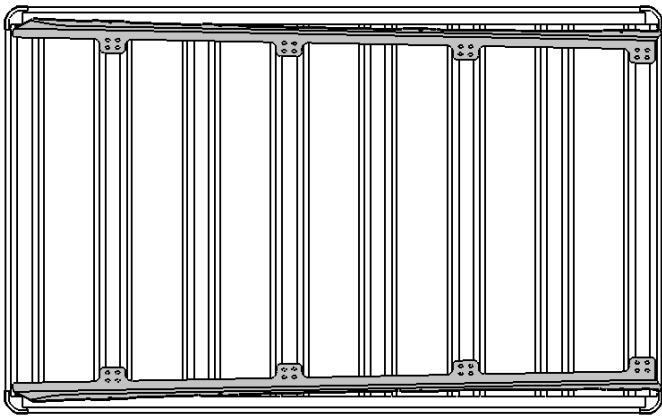


10. Check the position of the mounting plates (circled in image) on the blade brackets in relation to the channels on the BASE RACK.



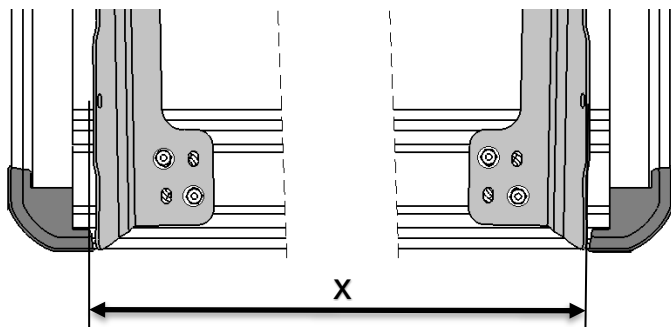
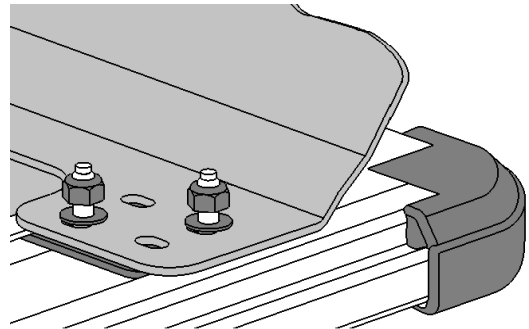
11. Insert the previously assembled stud plates into the correct BASE RACK channels. Rotate the plates 90





12. Flip the blade brackets over so they are upside down and carefully place on top of the BASE RACK. When doing so ensure the M8 studs in the stud plates go through the slots. Then secure the blade brackets to the BASE RACK using M8 flat washers and nyloc nuts.

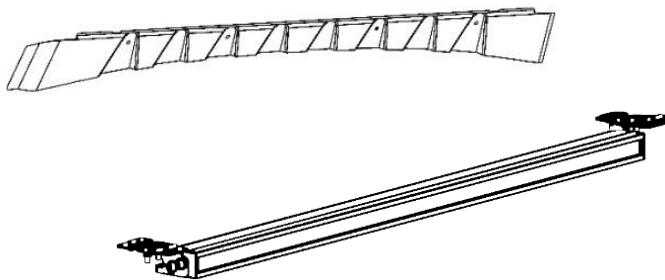
Do not fully tighten, allowing each blade to move.



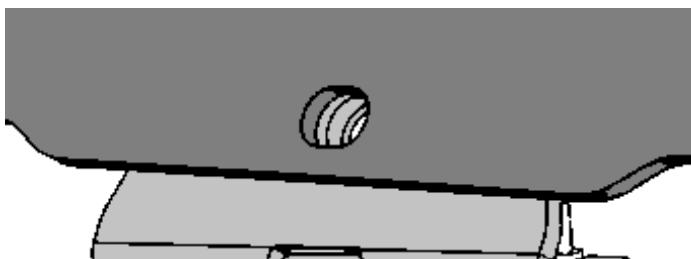
13. Using the previously recorded measurements, adjust the location of the blade bracket on the BASE RACK.

Ensure the distance between the blade bracket and the edge of the tray is the same on both sides. Fully tighten all M8 Nyloc nuts

 Torque M8 to 22Nm

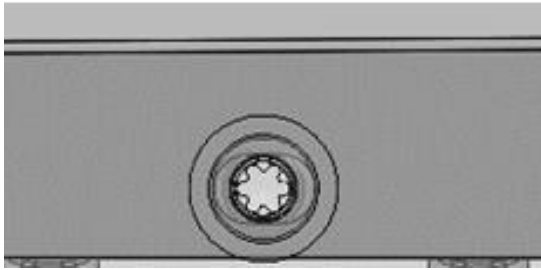


14. If fitting an air deflector or BASE RACK lightbar it should be fitted to the BASE RACK at this point. Refer to instructions provided with the air deflector or BASE RACK light bar for fitting details.

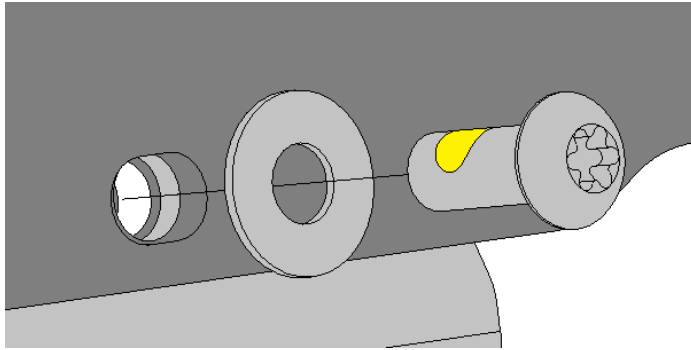


15. With assistance, carefully place the BASERACK on the vehicle so the inside of the blade brackets rests on the outside of the mounting brackets. The entire BASERACK assembly should be clear of the vehicle roof. All mounting holes/slots should align closely.

Note: Place protective material on roof to reduce the risk of accidental damage to vehicle when mounting the BASERACK to the vehicle.



16. Confirm BASE RACK is correctly aligned to vehicle. If it is not it is recommended to remove the BASE RACK from the vehicle roof and repeat the mounting process from the measurement step #12.



17. Use the M8 Button head Torx screws and M8 Black washers to secure the roof tray to the roof mounting brackets. Tighten all screw to the specified torque.

 Torque M8 to 22Nm

17915010 with 1770040



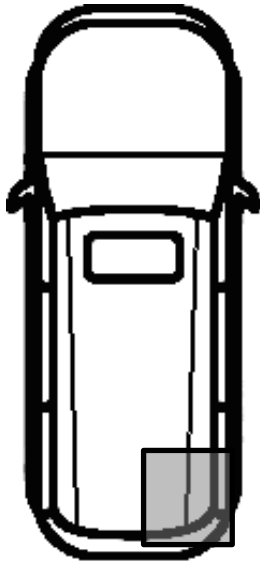
17915030 with 1770020



OPTIONAL STEP FOR BASE RACK WIRING KIT

(1780400 & 1780410 SOLD SEPARATELY)

These steps are a vehicle specific supplement to the main instruction. This instruction should be used in parallel. Read and both instructions before proceeding

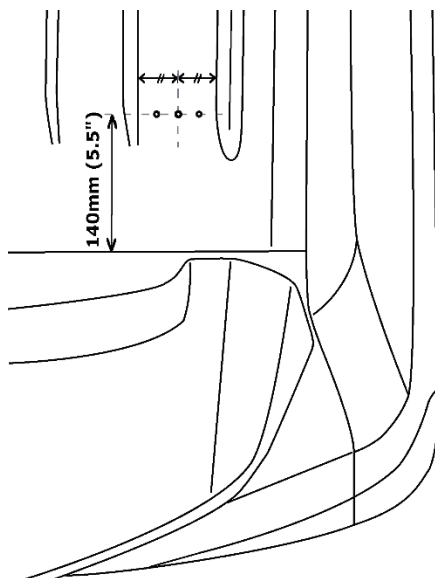


1. The recommended location for the wiring kit for this vehicle is the rear, right hand side
2. The location provided has been chosen to provide a safe passage away from vehicle components (airbags, vents, etc) and integrated to the rack

! CAUTION – THIS STEP MAY REQUIRE WORK IN THE PROXIMITY OF CURTAIN AIR BAGS !



3. To lower the headliner:
 - I. Pull back the rear right lower trim
 - II. Pull back the rear left upper D pillar trim
 - III. Pull back the rear right upper D pillar trim
 - IV. Remove the right rear grab handle
 - V. Pull down and remove the rear window upper trim
 - VI. Peel the seal back around the headliner
 - VII. Pull down the head liner from the rear



4. Measure carefully the hole locations shown
5. Peen the holes and double check location clears interior components by touching/viewing the marks on the inside
6. Run the loom through the roof. Secure the loom with cable ties, keeping away from sharp objects and airbag components

! Caution: Land Cruiser 200 has tight clearance to air vents, double check dimensions and peen mark inside before drilling !