

BASE RACK FITTING INSTRUCTION

Part Number: 1780480

Product Description: **BASERACK LIGHTBAR MNT DOVETAIL**

WARNING

- ◆ This mount kit is designed to mount LED light bars up to 3.5kg/7.7lb in weight, with a single, side mount bolt. Fasteners for light bar not included
- ◆ Do not use this product for any product, other than those specified by ARB
- ◆ This product must be installed exactly as per these instructions using only the hardware supplied
- ◆ This product or its fixing must not be modified in any way
- ◆ These instructions are correct as at the publication date
- ◆ During installation, it is the duty of the installer to check correct operation/clearances of all components
- ◆ Work safely at all times
- ◆ Unless otherwise instructed, tighten fasteners to specified torque
- ◆ Fastener torques are to be checked at regular intervals

ARB 4x4 ACCESSORIES

Corporate Head Office

www.arb.com.au

42-44 Garden St
Kilsyth, Victoria
AUSTRALIA 3137

Tel: +61 (3) 9761 6622
Fax: +61 (3) 9761 6807

Australian enquiries
North & South American enquiries
Other international enquiries

sales@arb.com.au
sales@arbusa.com
exports@arb.com.au

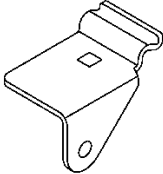
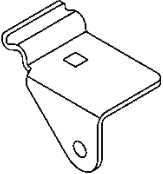




REQUIRED TOOLS FOR FITMENT OF PRODUCT:

13mm Spanner/Wrench

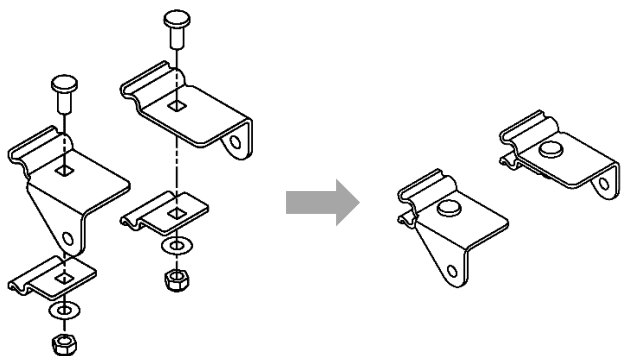
FASTENER TORQUE SETTINGS:

SIZE	Torque Nm	Torque lbft
M8	22Nm	16lbft

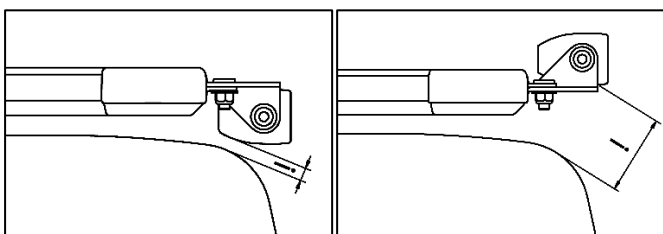
PARTS LISTING

APPLICATION.	PART NO.	QTY	DESCRIPTION
	3750752R	1	BRKT LIGHT BAR MNT DTAIL SIDE RH
	3750752L	1	BRKT LIGHT BAR MNT DTAIL SIDE LH
	3752563	2	BRKT ACC CLAMP 40MM
	6151921	2	BOLT COHD M8x20 PC8.8 LWHD
	6151223	2	NUT NYLOC M8 BLACK
	4584378	2	WASHER M8x19x1.2mm BLACK

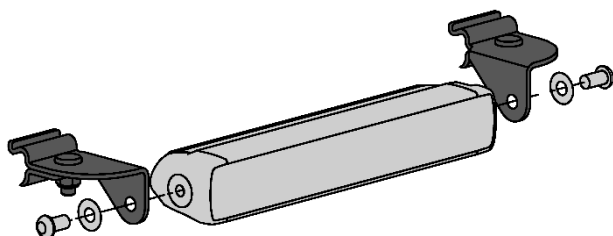
FITTING PROCEDURE



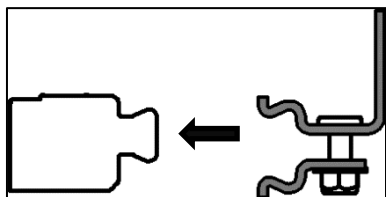
1. Assemble brackets with an M8 bolt, washer and nut
Only tighten nuts 3-4 turns



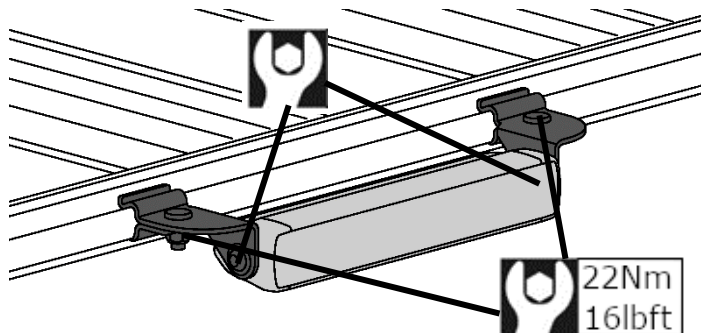
2. Plan mounting
 - The bracket can mount flange up or flange down
 - Check clearance distance to vehicle panels
 - Check door opening
 - Check window opening



3. Fit one bracket to each end of the light bar as shown (hardware to light not supplied)



4. Fit the mounting brackets over the dovetail



5. Tighten the light bar bolts to manufactures recommendation
6. Tighten the supplied M8 COHD bolts to specified torque

ARB BASE RACK