



www.roughcountry.com

I-SHEET PART NUMBER: INST-00196
PART NUMBER: **RCC9989QC**
PRODUCT: **HOOP STEP**
APPLICATION: **99-06 CHEVY/GMC ALL MODELS**

INSTALLATION INSTRUCTIONS

Phone: **(800) 222-7023**

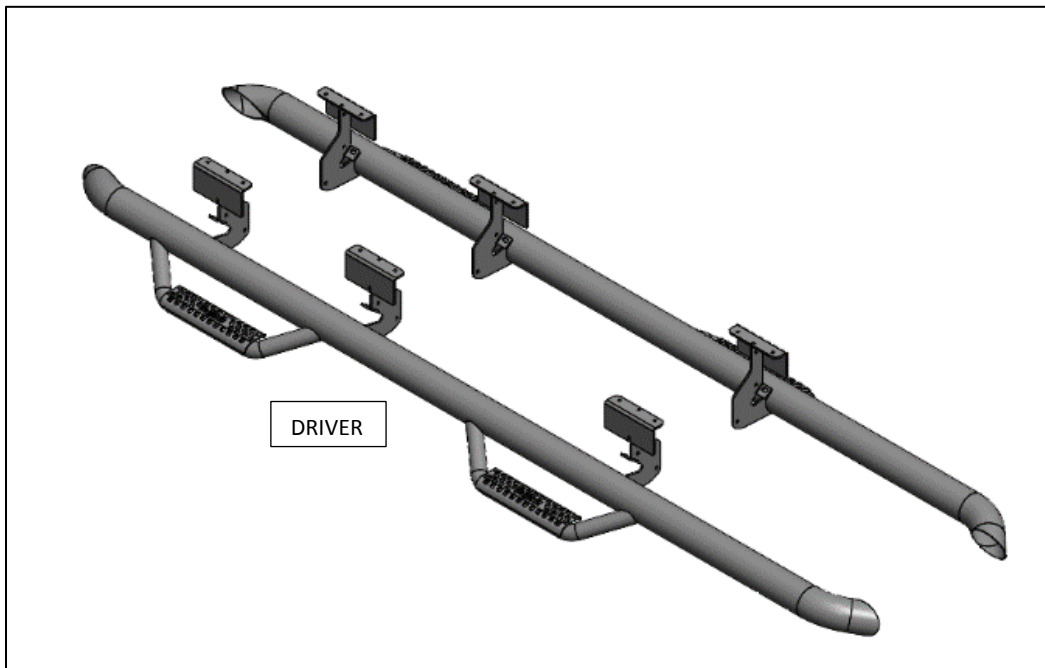
| HARDWARE DESCRIPTION | | QTY. |
|----------------------|-----------------------|------|
| HWKT-07024X | | |
| 90185A587 | 5/16-18 CARRIAGE BOLT | 6 |
| FW-00006 | 5/16 FLAT WASHER | 6 |
| HXNT-07022X | 5/16 HEX NUT | 6 |

| PARTS INCLUDED | QTY |
|---------------------|-----|
| DRIVER SIDE STEP | 1 |
| PASSENGER SIDE STEP | 1 |



N-FAB NERF STEP SYSTEM

STEP 1: Identify driver side step.



Step 2: Hold nerf step up to the pinch weld of the body with the lower mounting tab placed on top.

Step 3: Position the front tip of the step approximately $\frac{3}{4}$ " behind the fender well opening.

(NOTE: If you have over sized tires, allow enough clearance for steering.)



Step 4: Make a mark in the center of the pinch weld below the mounting tab in each bracket.

Step 5: Using a $\frac{3}{8}$ " bit, drill out each (x3) marked holes.

NOTE: Be sure to drill the holes approximately $\frac{1}{8}$ " from the edge.

Step 6: Next, install the step aligning the brackets with the pre-drilled holes.

Step 7: Starting with the center bracket, loosely fasten using the supplied $\frac{5}{16}$ " carriage bolt, nut and washer. Repeat with front and rear bracket. **Be sure the carriage bolt starts from the bottom and comes up through the body with the washer and nut on top.**

Step 8: Using a gear wrench or socket, torque each mounting position to 22 ft/lbs.

Step 9: Repeat steps 2-8 with passenger side.

