

ROUGH COUNTRY

SUSPENSION SYSTEMS®

JEEP 2020-UP Gladiator AL2 Steps

Thank you for choosing Rough Country for all your vehicle needs.

Please read instructions before beginning installation. Check the kit hardware against the kit contents shown below. Be sure you have all needed parts and know where they go.

If question exist, please call us @1-800-222-7023. We will be happy to answer any questions concerning this product.

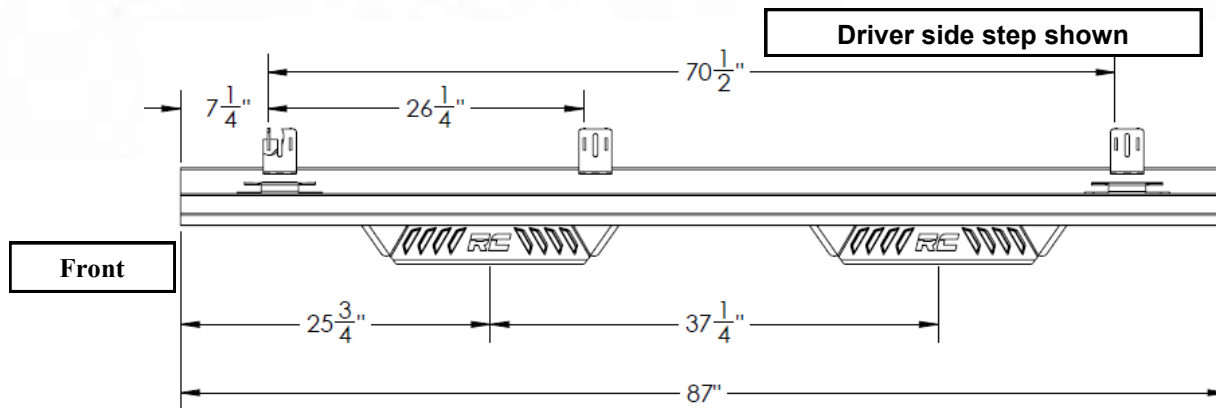
Check all fasteners for proper torque. Check to ensure for adequate clearance between all components.

Periodically check all hardware for tightness.

KIT CONTENTS:
 Driver Side Step x1
 Pass Side Step x1

TOOLS NEEDED:
 13mm Wrench or Socket

HARDWARE INCLUDED:
 8mm-1.25 x 30mm Flange Bolt/
 Washer x14
 Nut Insert x8



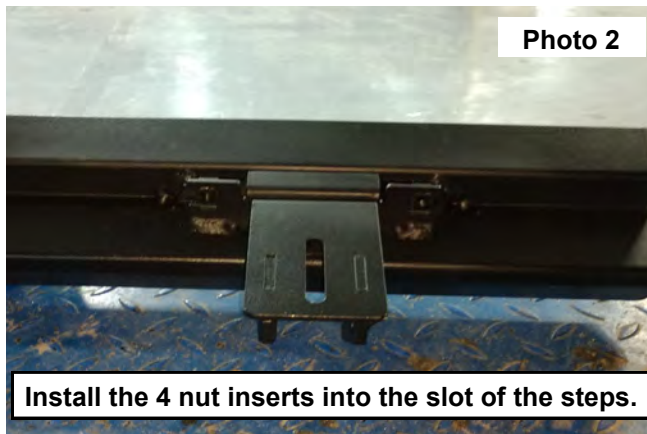
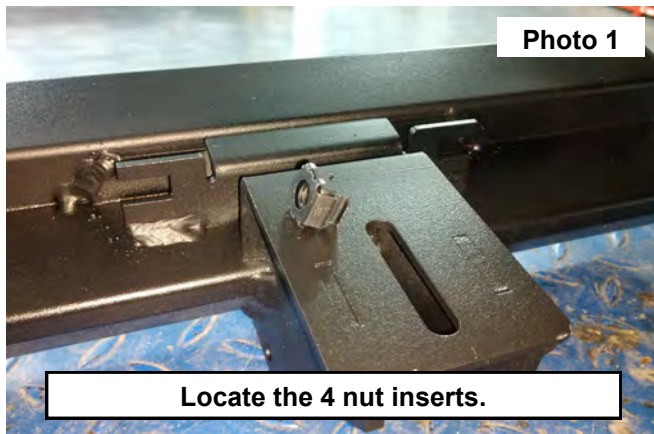
Torque Specs:

Size	Grade 5	Grade 8	Size	Class 8.8	Class 10.9
5/16"	15 ft/lbs	20ft/lbs	6MM	5ft/lbs	9ft/lbs
3/8"	30 ft/lbs	35ft/lbs	8MM	18ft/lbs	23ft/lbs
7/16"	45 ft/lbs	60ft/lbs	10MM	32ft/lbs	45ft/lbs

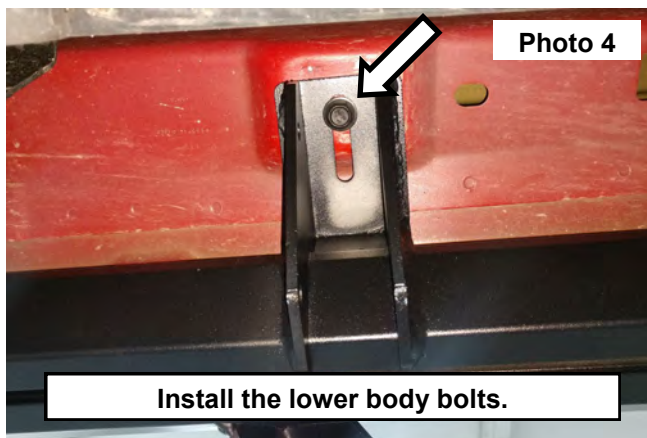


INSTALLATION INSTRUCTIONS

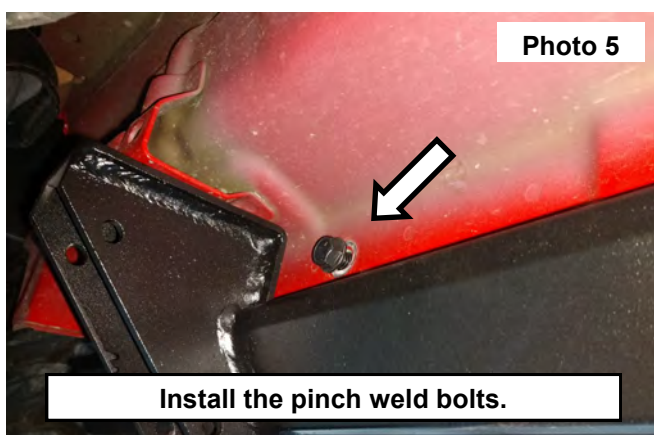
1. Locate the 8 nut inserts. **See Photo 1.**
2. Install the 4 nut inserts into the slot of the steps. Place the nut to the out side of the step. **See Photo 2.**



3. Identify the driver and passenger side step using the illustration on the front page and place the step onto the vehicle. **See Photo 3.**
4. Line up the step with the threaded holes on the under side of the body and secure the step using (3) of the supplied 8mm x 30mm flange bolt w/ washer. **See Photo 4.**



5. Secure the front and rear pinch weld mounts using (4) of the supplied 8mm x 30mm flange bolt w/ washer. **See Photo 5.**
6. Tighten the (4) pinch weld mount bolts using a 13mm socket. **See Photo 6.**
7. Tighten the (3) lower body bolts using a 13mm socket.
8. Repeat the installation process on the opposite side of the vehicle.



By purchasing any item sold by Rough Country, LLC, the buyer expressly warrants that he/she is in compliance with all applicable, State, and Local laws and regulations regarding the purchase, ownership, and use of the item. It shall be the buyers responsibility to comply with all Federal, State and Local laws governing the sales of any items listed, illustrated or sold. The buyer expressly agrees to indemnify and hold harmless Rough Country, LLC for all claims resulting directly or indirectly from the purchase, ownership, or use of the items.

