

ROUGH COUNTRY

SUSPENSION SYSTEMS®

GM 2007-18 Crew Cab Aluminum Step Extrusion Brackets

Thank you for choosing Rough Country for all your vehicle needs.

Please read instructions before beginning installation. Check the kit hardware against the kit contents shown below. Be sure you have all needed parts and know where they go.

If question exist, please call us @1-800-222-7023. We will be happy to answer any questions concerning this product.

Check all fasteners for proper torque. Check to ensure for adequate clearance between all components.

Periodically check all hardware for tightness.

Kit Contents:

Aluminum Rails x2
 Aluminum Steps x2
 End Caps x4
 Dr Side Brackets x3
 Pass Side Brackets x3

(Diesel Only)

Pass Side Lower Bracket x1
 Pass Side Upper Bracket x1

Tools Needed:

5mm Allen Wrench
 13mm Socket/Wrench

Hardware Included:

8mm x 25mm Bolts x48
 8mm Button Head Bolts x12
 8mm Flange Lock Nuts x30
 8mm Finish Nut (Coated) x12
 8mm Oversized Washers x12
 8mm Clip Nuts x6

(Diesel Only)

10mm x 25mm Bolt x1
 10mm Flat Washer x1



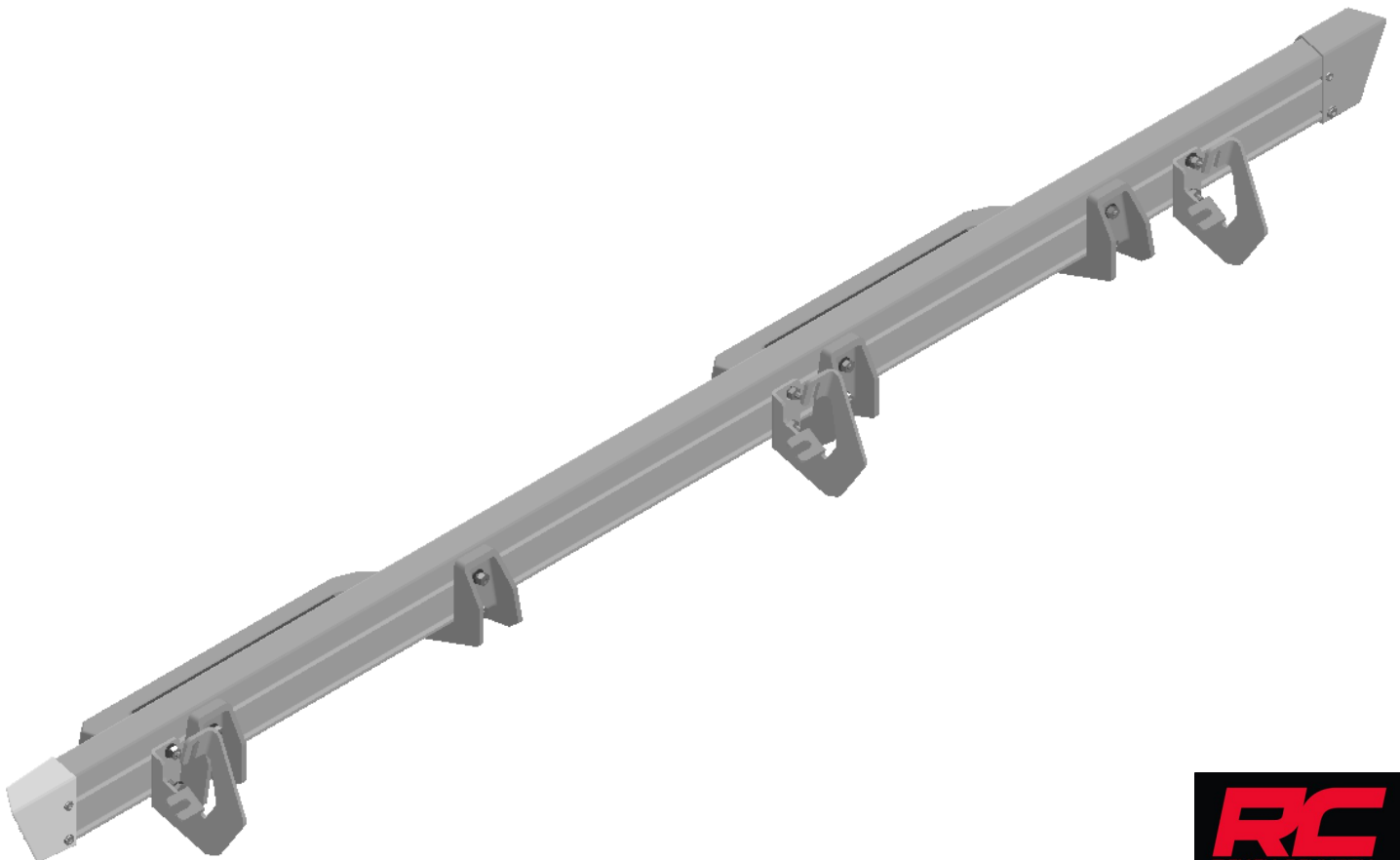
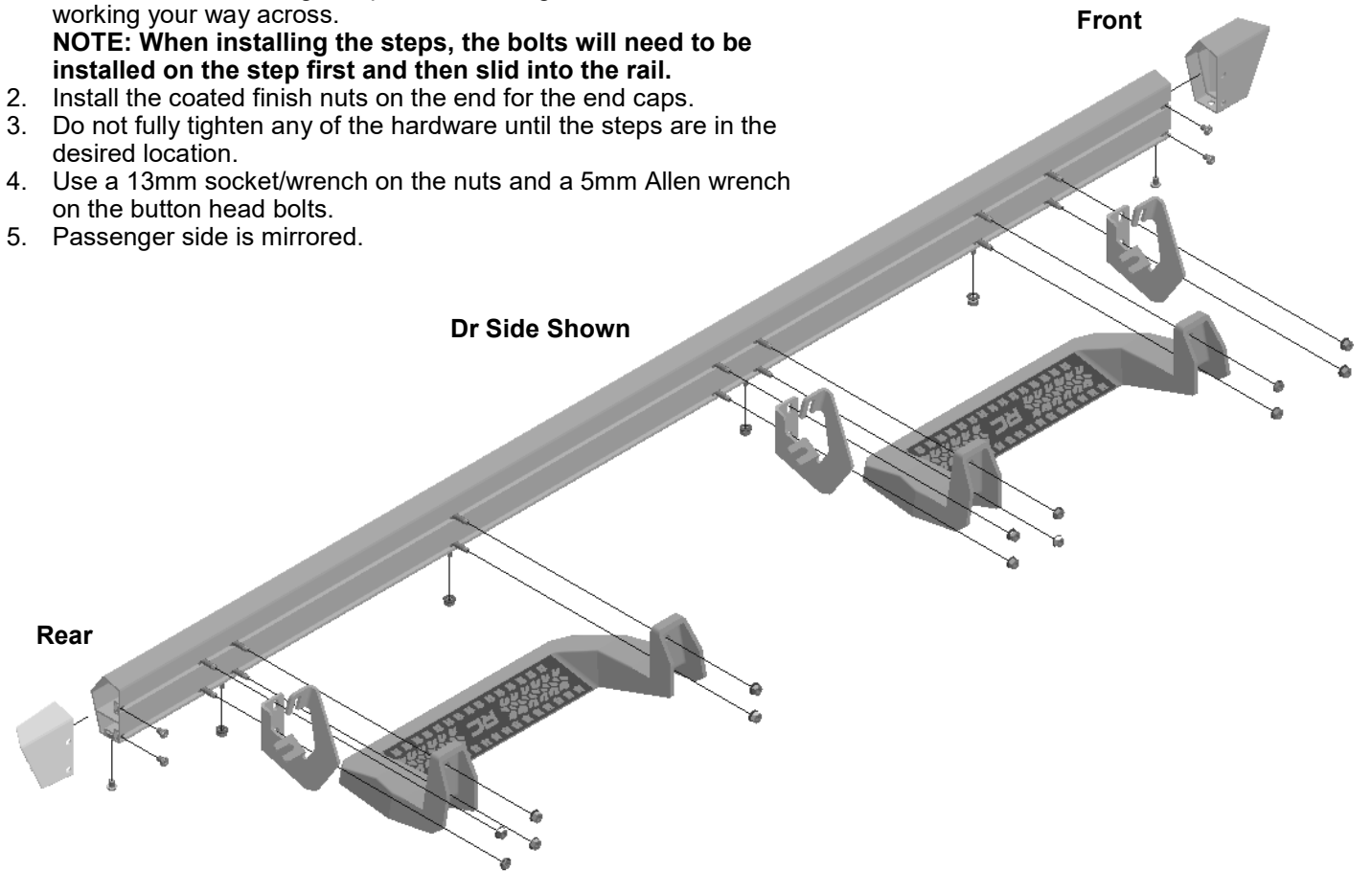
Torque Specs:

Size	Grade 5	Grade 8	Size	Class 8.8	Class 10.9
5/16"	15 ft/lbs	20ft/lbs	6MM	5ft/lbs	9ft/lbs
3/8"	30 ft/lbs	35ft/lbs	8MM	18ft/lbs	23ft/lbs
7/16"	45 ft/lbs	60ft/lbs	10MM	32ft/lbs	45ft/lbs
1/2"	65 ft/lbs	90ft/lbs	12MM	55ft/lbs	75ft/lbs
9/16"	95 ft/lbs	130ft/lbs	14MM	85ft/lbs	120ft/lbs
5/8"	135ft/lbs	175ft/lbs	16MM	130ft/lbs	165ft/lbs
3/4"	185ft/lbs	280ft/lbs	18MM	170ft/lbs	240ft/lbs

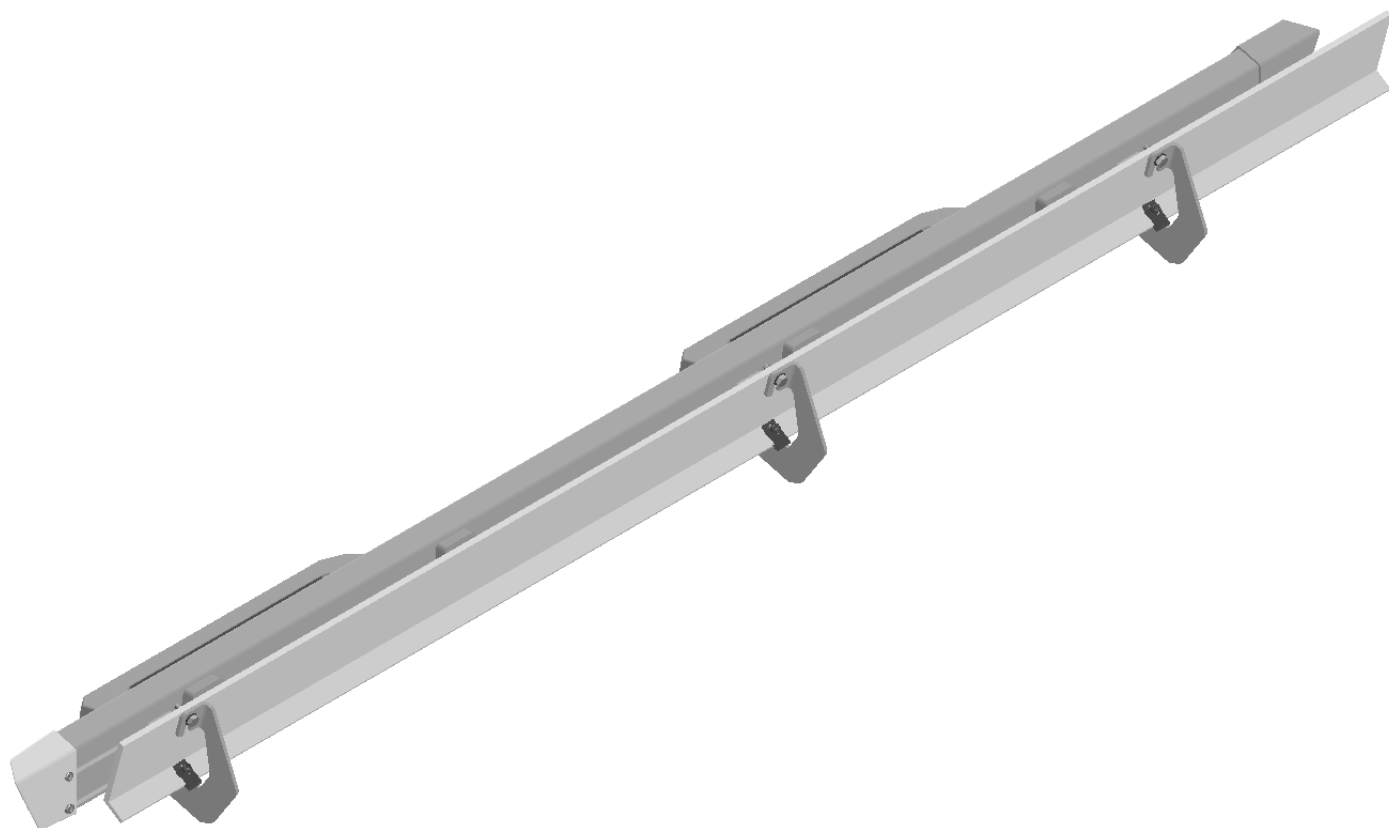
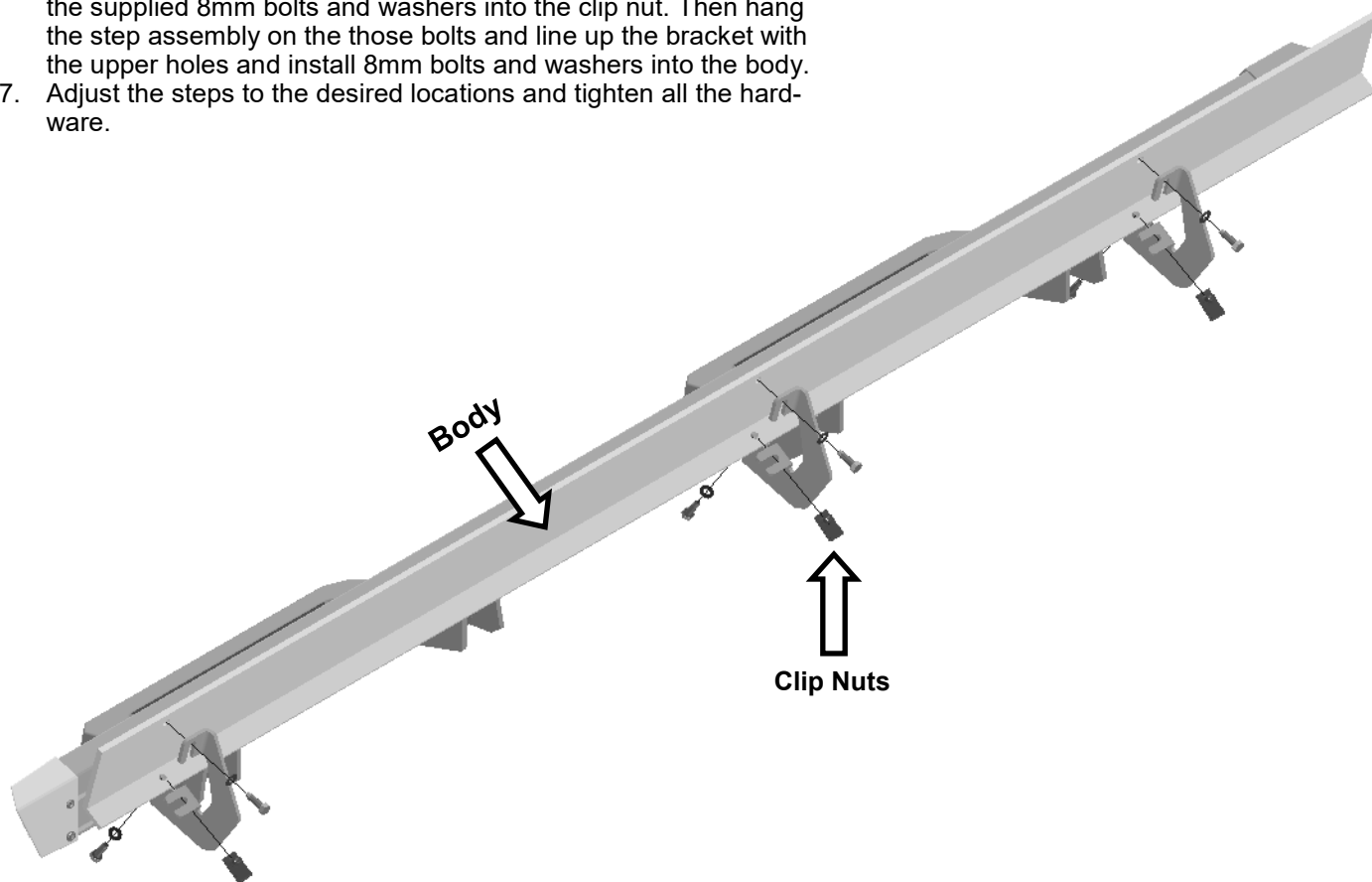


INSTALLATION INSTRUCTIONS

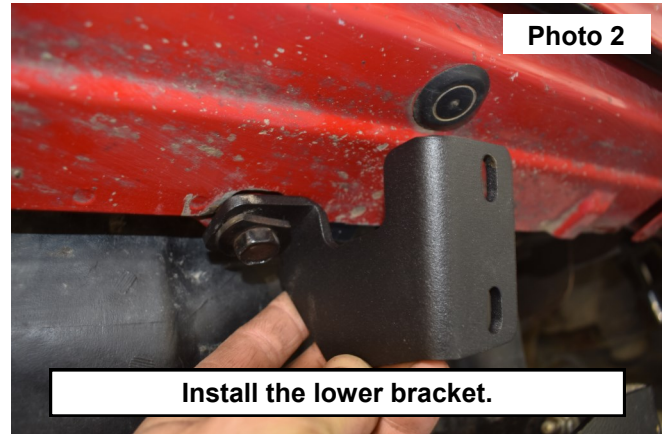
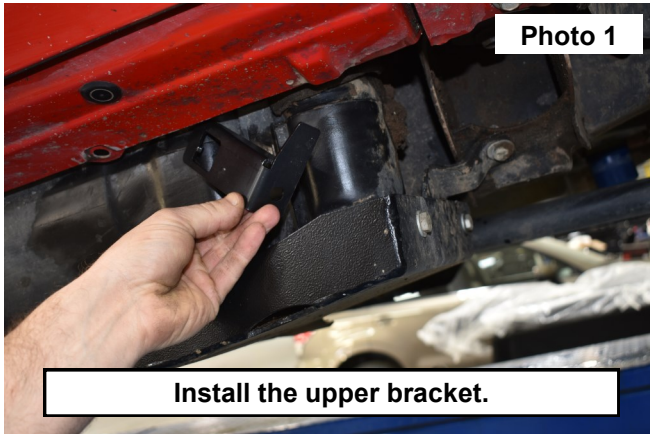
1. Assemble the following components starting from one end and working your way across.
NOTE: When installing the steps, the bolts will need to be installed on the step first and then slid into the rail.
2. Install the coated finish nuts on the end for the end caps.
3. Do not fully tighten any of the hardware until the steps are in the desired location.
4. Use a 13mm socket/wrench on the nuts and a 5mm Allen wrench on the button head bolts.
5. Passenger side is mirrored.



6. Install the clip nuts over the holes in the body and partially thread the supplied 8mm bolts and washers into the clip nut. Then hang the step assembly on the those bolts and line up the bracket with the upper holes and install 8mm bolts and washers into the body.
7. Adjust the steps to the desired locations and tighten all the hardware.



1. **For Diesel trucks only:** Install the passenger side upper front bracket in-between the DEF tank and the body of the vehicle. Place the tab into the body to secure the bracket. **See Photo 1.**
2. Install the lower bracket to the pinch weld to the upper bracket and secure using (1) of the supplied 10mm-1.5 x 25mm Hex Head Bolt, (1) 10mm Flat Washers into the weld nut in the upper bracket. Tighten using a 17mm socket. **See Photo 2.**



By purchasing any item sold by Rough Country, LLC, the buyer expressly warrants that he/she is in compliance with all applicable, State, and Local laws and regulations regarding the purchase, ownership, and use of the item. It shall be the buyers responsibility to comply with all Federal, State and Local laws governing the sales of any items listed, illustrated or sold. The buyer expressly agrees to indemnify and hold harmless Rough Country, LLC for all claims resulting directly or indirectly from the purchase, ownership, or use of the items.

