



INSTALLATION INSTRUCTIONS

LIGHT BAR KIT

TRANS4MER GEN II

Your safety, and the safety of others, is very important. To help you make informed decisions about safety, we have provided installation and operating instructions and other information on labels and in this guide. This information alerts you to potential hazards that could hurt you or others. It is not possible to warn you about all potential hazards associated with this product, you must use your own good judgment.

CARELESS INSTALLATION AND OPERATION CAN RESULT IN SERIOUS INJURY OR EQUIPMENT DAMAGE. READ AND UNDERSTAND ALL SAFETY PRECAUTIONS AND OPERATING INSTRUCTIONS BEFORE INSTALLING AND OPERATING THIS PRODUCT.

This guide identifies potential hazards and has important safety messages that help you and others avoid personal injury or death. **WARNING** and **CAUTION** are signal words that identify the level of hazard. These signal words mean:

WARNING signals a hazard that could cause serious injury or death, if you do not follow recommendations.

CAUTION signals a hazard that may cause minor to moderate injury, if you do not follow recommendations.

This guide uses **NOTICE** to call attention to important mechanical information, and **Note:** to emphasize general information worthy of special attention.

NOTICE

Failure to observe these instructions could lead to equipment damage.

- Always** use appropriate and adequate care in lifting components into place.
- Always** insure components will remain secure during installation and operation.
- Always** tighten all nuts and bolts securely, per the installation instructions.

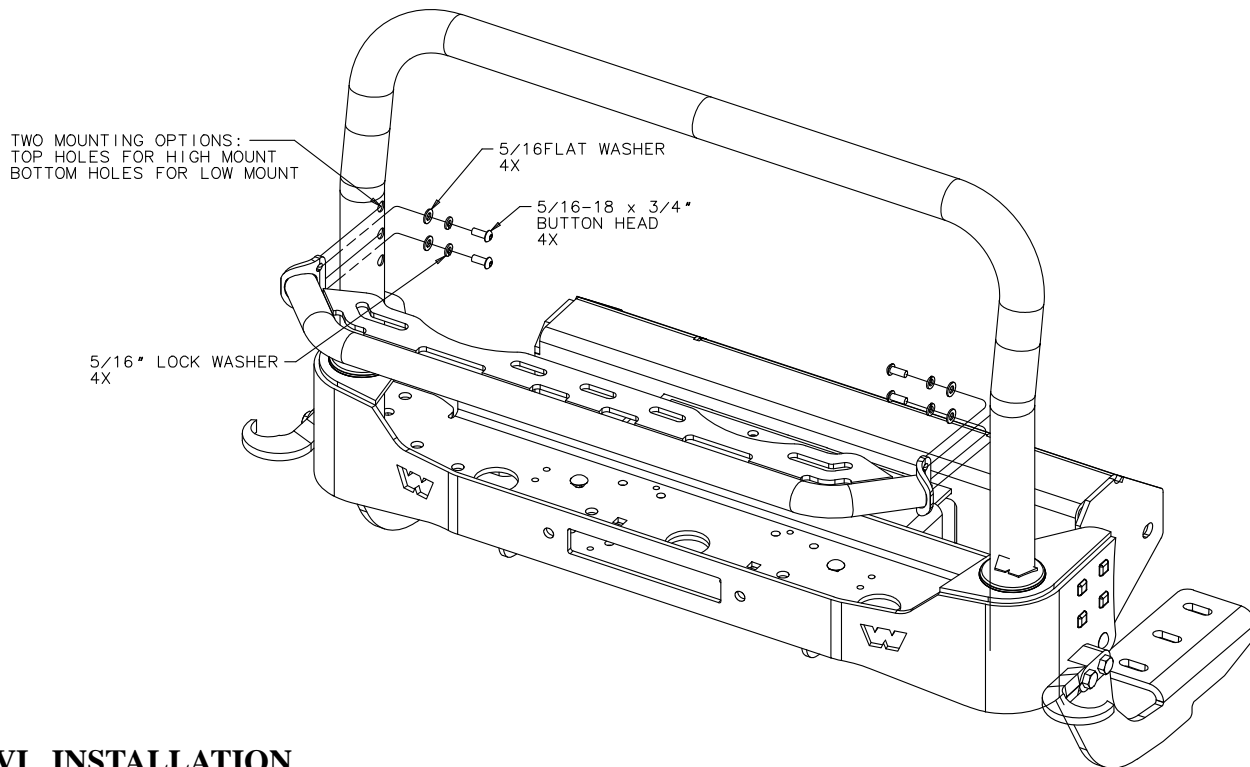
I. TOOLS REQUIRED

3/16" ALLEN WRENCH

IV. TORQUE SPECIFICATIONS

5/16 11 lb. ft. (14.9 N-m)

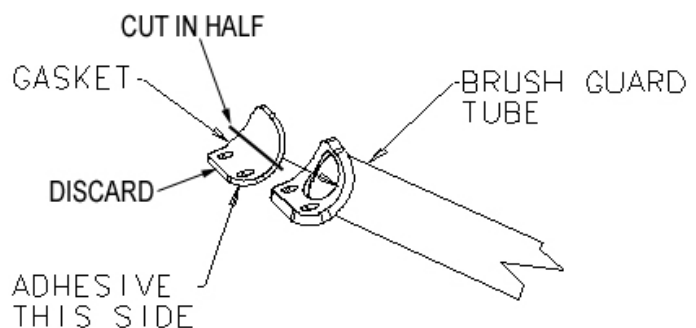
V. INSTALLATION DIAGRAM



VI. INSTALLATION

1. Cut gasket in half as shown below and discard half with holes in it. Remove paper backing from gasket.
2. Align gasket with curved brush guard bracket and press in place.
3. Install the light bar over the desired holes. The top two are for the high mount the bottom two are for the low mount. Position required varies depending on diameter of lights being installed and height of winch.
4. Install button head screws, lock washers and flat washers as shown in diagram.
5. Install lights. (Follow manufacturers installation instructions.)
6. Ensure proper access to winch remote plug.
7. Tighten all 4 bolts.

VII. GASKET INSTALLATION DIAGRAM



GASKET INSTALLATION DIAGRAM