



# INSTALLATION INSTRUCTIONS

## Brush Guard Kit

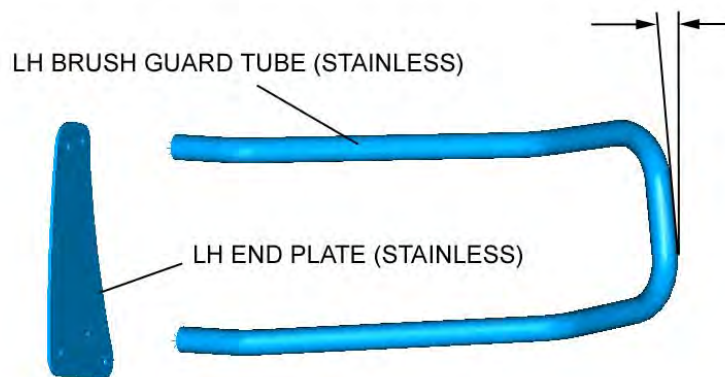
2007 Chevrolet Tahoe, Suburban, Avalanche  
Kit No. 74830 (black) or 74820 (stainless steel)

As you read these instructions, you will see **NOTES**, **CAUTIONS** and **WARNINGS**. Each message has a specific purpose. **NOTES** are additional information to help you complete a procedure. **CAUTIONS** are safety messages that indicate a potentially hazardous situation which, if not avoided, may result in minor or moderate injury. A **CAUTION** may also be used to alert against unsafe practice. **WARNINGS** are safety messages that indicate a potentially hazardous situation, which, if not avoided could result in serious injury. **CAUTIONS** and **WARNINGS** identify the hazard, indicate how to avoid the hazard, and advise of the probable consequence of not avoiding the hazard. **PLEASE WORK SAFELY!**

### PARTS LIST

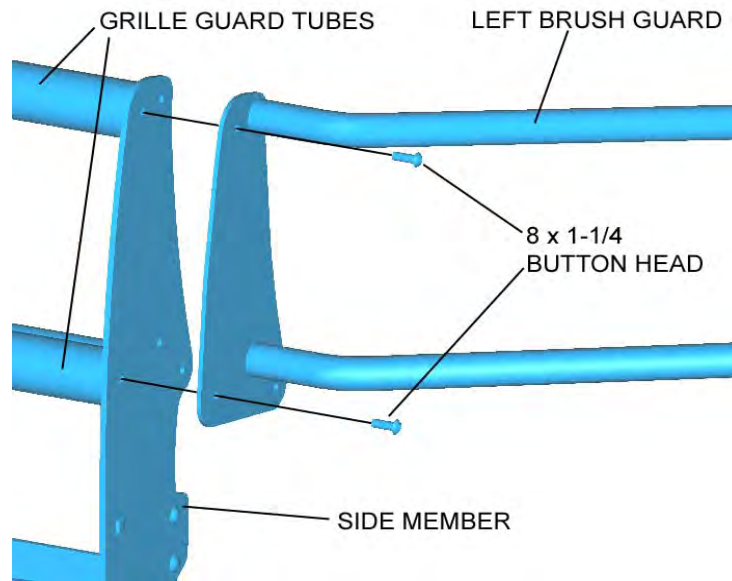
PART NO.	QUANTITY	DESCRIPTION
74832	1	Brush Guard, RH. Black
74831	1	Brush Guard, LH. Black
75413	1	Brush Guard Tube, RH. Stainless
75412	1	Brush Guard Tube, LH. Stainless
75418	1	End Plate, RH, Stainless
75417	1	End Plate, LH, Stainless

**NOTE: PLEASE READ THESE INSTRUCTIONS THOROUGHLY BEFORE STARTING THE INSTALLATION OF THIS KIT.**



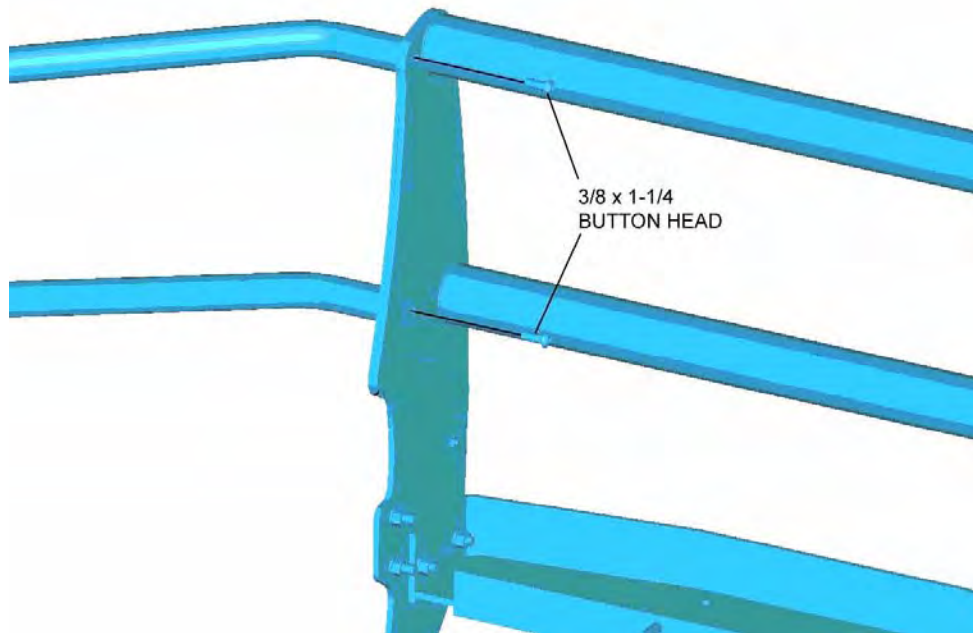
**FIGURE 1 LH Brush Guard Tube and End Plate (Stainless Kit – two piece)**

**NOTE for Stainless Steel Kits:** The Brush Guard Tubes and End Plates are shipped as separate components in the Stainless Steel Kits only. **See Figure 1.** Proceed with the installation as described below making sure the polished side of the End Plate is facing out. *Do not* install the Brush Guard Tubes without the End Plates. The End Plates increase the rigidity of the system reducing vibration of the Brush Guard Tubes. Also note the Brush Guard Tubes should tilt inward slightly at the sides of the headlamps, when viewed from the front of the vehicle. If they don't, reinstall the tubes on the opposite sides of the vehicle.



**FIGURE 2 LH Brush Guard (Black Kit – one piece)**

1. Remove any 3/8" screws securing the Grille Guard Tubes to the left Side Member.
2. Hold the left Brush Guard in position and install a 3/8 x 1-1/4" button head screw through the Brush Guard End Plate and Side Member into the corresponding Grille Guard Tube. Do not tighten. See **Figure 2**. Align the Brush Guard and install the second screw.
3. Install screws, outward through the Side Member into the two remaining holes in the Brush Guard.
4. Repeat for the right side. Tighten all screws.



**FIGURE 3 LH Brush Guard**

## **Warn Industries**

### **Stainless Steel Truck Accessories**

#### **What to expect:**

Polished stainless steel combines the beauty of a chrome-like appearance with extreme durability and corrosion resistance. With a minimum amount of care, the appearance will last almost indefinitely. Unlike platings or coatings, there is nothing to peel off or wear away that would allow corrosion underneath.

The actual appearance may not be exactly like new chrome in either the degree of luster or color. There may be fine polishing lines visible up close and small differences between mating parts of an assembly. A grille guard, for instance, may have small differences between the round tubing and the flat plate. The backside of a part may not be as highly polished as the front. However, part of the beauty and appeal of stainless actually lies in the smooth “hand-worked” appearance.

There also is a possibility that small rust spots can appear on stainless products. They are usually due to minor iron contamination on the surface as a result of normal manufacturing and handling processes. This minor rust, if it occurs at all, is easy to remove and will not tend to spread.

#### **Recommended care:**

Regular washing with fresh water and mild car wash detergents followed by rinsing and drying with a soft towel is the best minimum care. Beyond that, any cleaner/wax recommended for automotive finishes will work well to remove minor stains and scuffs, enhance the shine and provide protection. Always use clean soft cotton cloths. In most cases, this will be all that is required for many years. For more serious blemishes or a rust spot, use a cream metal polish recommended for stainless, aluminum, etc. Try to rub in the direction of the original polishing lines.

Ultimately, any stainless part can be restored to a brilliant shine with power buffing processes.

#### **Caution:**

Do not use steel wool or any type of metal scraper. Do not use “Scotch Brite” pads or abrasive powdered cleaners. Do not try to clean with muriatic acid or any other acid.

#### **Stainless Fasteners**

Stainless steel fasteners are included in many of the stainless kits. These fasteners provide similar corrosion resistance and appearance as the rest of the kit. However, stainless fasteners are prone to galling when installed in similar stainless material. It is a good idea to apply a small amount of anti-seize compound to the threads when installing them. Care should also be taken when tightening the fasteners to prevent rounding or deforming the corners of the bolts. Make sure the wrenches are the correct size and fit properly. In the case of socket heads, the wrench should have sharp, un-worn edges. With a few precautions during assembly the products should provide years of service.