



INSTALLATION INSTRUCTIONS

FRONT RECEIVER KIT


Part Number: 70480


Application: Ford Super Duty '05

Your safety, and the safety of others, is very important. To help you make informed decisions about safety, we have provided installation and operating instructions and other information on labels and in this guide. This information alerts you to potential hazards that could hurt you or others. It is not possible to warn you about all potential hazards associated with this product, you must use your own good judgment.

CARELESS INSTALLATION AND OPERATION CAN RESULT IN SERIOUS INJURY OR EQUIPMENT DAMAGE. READ AND UNDERSTAND ALL SAFETY PRECAUTIONS AND OPERATING INSTRUCTIONS BEFORE INSTALLING AND OPERATING THIS PRODUCT.

This guide identifies potential hazards and has important safety messages that help you and others avoid personal injury or death. **WARNING** and **CAUTION** are signal words that identify the level of hazard. These signal words mean:

 **WARNING** signals a hazard that could cause serious injury or death, if you do not follow recommendations.

 **CAUTION** signals a hazard that may cause minor to moderate injury, if you do not follow recommendations.

This guide uses **NOTICE** to call attention to important mechanical information, and **Note**: to emphasize general information worthy of special attention.

WARNING

INJURY HAZARD

Failure to observe these instructions could lead to severe injury or death.

- q **Always** use extreme caution when drilling on any vehicle. Make sure that all fuel lines, brake lines, electrical wires, and other objects are not punctured or damaged when/if drilling on the vehicle. Thoroughly inspect the area to be drilled (on both sides of material) prior to drilling, and relocate any objects that may be damaged. Failure to inspect the area to be drilled may result in vehicle damage, electrical shock, fire or personal injury.
- q **Always** wear safety glasses when installing this kit. A drilling operation will cause flying metal chips. Flying chips can cause eye injury.
- q **Always** use extreme caution when cutting and trimming during fitting.
- q **Always** remove jewelry and wear eye protection.
- q **Always** use appropriate and adequate care in lifting components into place.
- q **Always** insure components will remain secure during installation and operation.
- q **Always** tighten all nuts and bolts securely, per the installation instructions.
- q **Always** replace all worn or damaged parts before operating.
- q **Never** operate this WARN product with damaged or missing parts.

I. PARTS LIST

<u>Part Number</u>	<u>Qty</u>	<u>Description</u>
70481	1	Front Receiver Weldment
70937	1	Lower Bracket LH
70938	1	Lower Bracket RH
70992	1	License Plate Bracket
70993	4	Shim
36631	1	Receiver Plug

II. TOOLS REQUIRED

7/16 inch wrenches	18mm socket wrench
5/8 inch wrench	15mm socket wrench
11/16 inch wrench	13mm wrenches
3/4 inch wrenches	drill motor
15/16 inch wrenches	1/2 inch drill bit

III TORQUE SPECIFICATIONS

1/4 8 lb. ft. (10.8 N-m)	1/2 70 lb. ft. (94.9 N-m)
7/16 50 lb. ft. (67.8 N-m)	5/8 90 lb. ft. (122.0 N-m)

IV. INSTALLATION

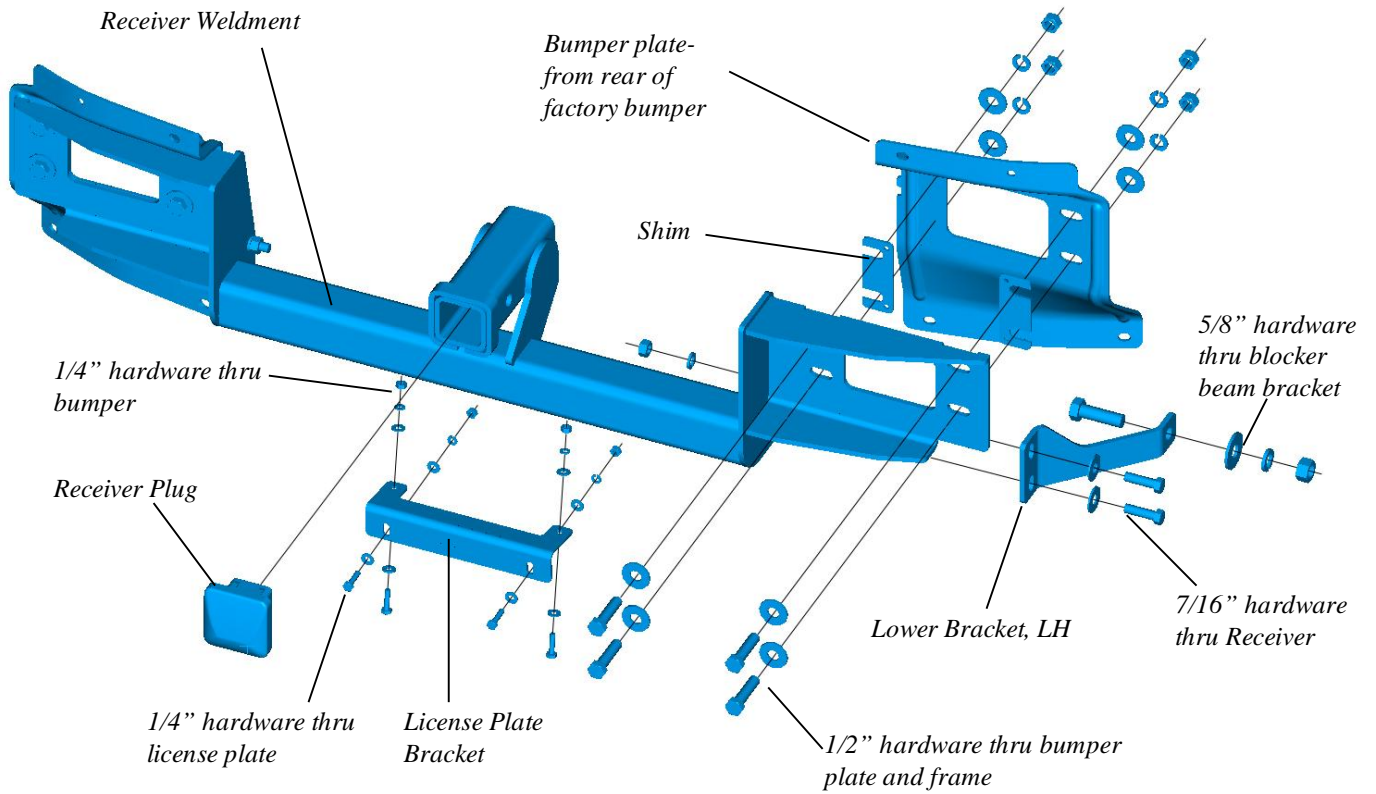


Figure 1 Receiver – exploded view

1. Temporarily disconnect the fog lamp wires from the lamps and the bumper.
2. Remove the outboard bumper braces. **See Figure 2**

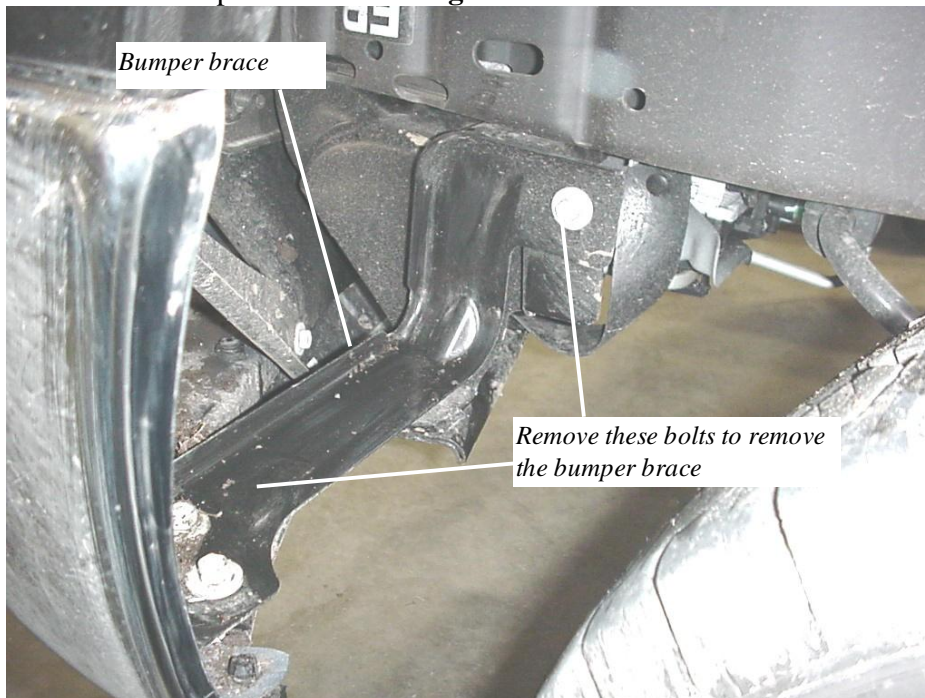


Figure 2 Rear of bumper end, LH

3. Remove the front bumper. **See Figure 3**

4. Remove the three(3) bolts that secure each tow loop to the frame and remove the tow loops.

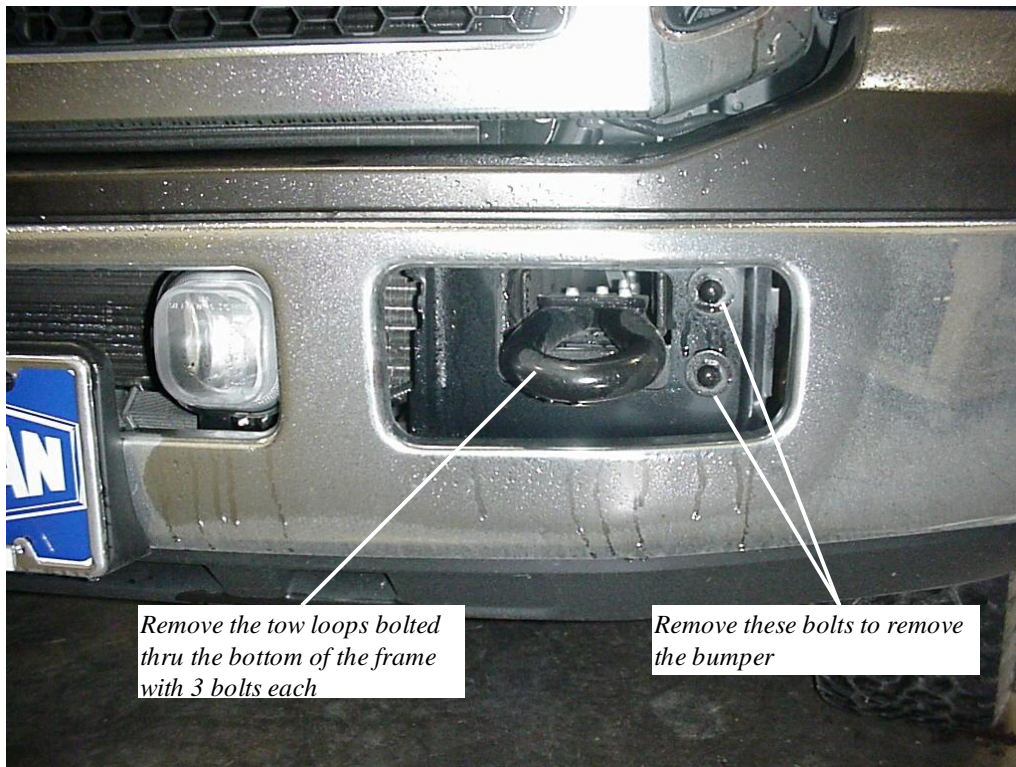


Figure 3 Front of bumper, LH

5. Remove the license plate holder if installed.
6. Remove the bumper plates and fog lamps from bumper. **See Figure 4**

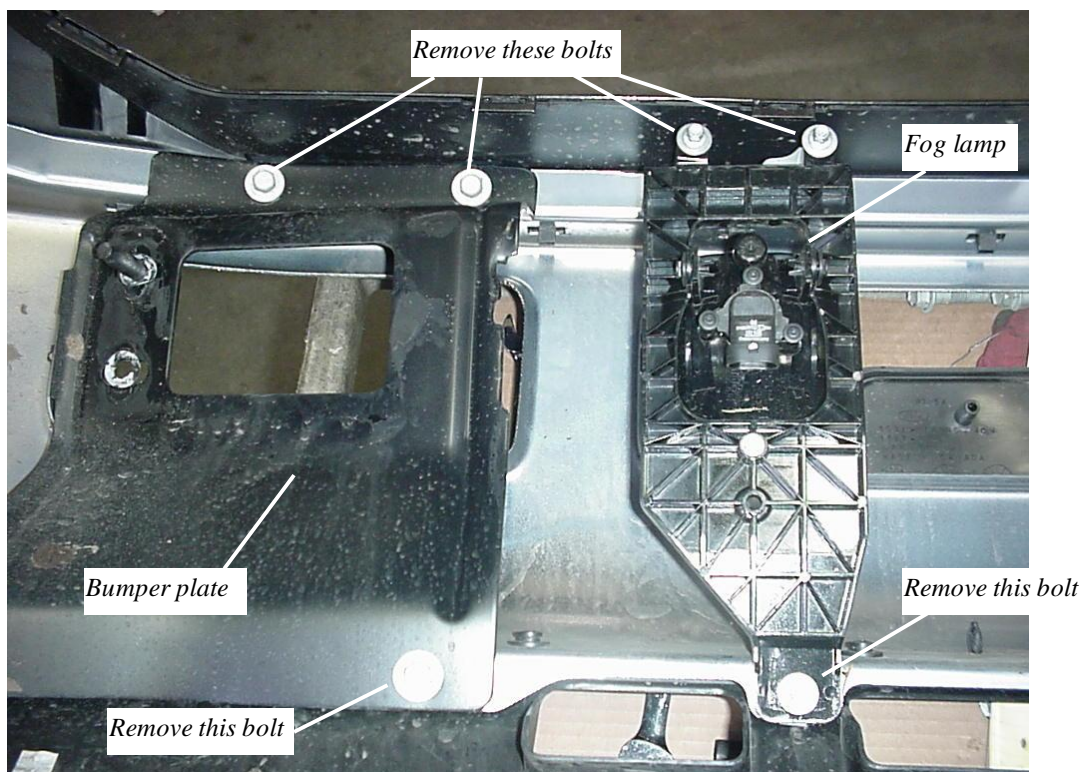


Figure 4 Rear of bumper, LH

7. Install the Lower Brackets to the outsides of the Receiver. Use the 7/16" hardware. Do not tighten. **See Figure 7**
8. Place the Receiver loose in the bumper.
9. Reinstall the bumper plates and fog lamps over the Receiver. **See Figure 5**

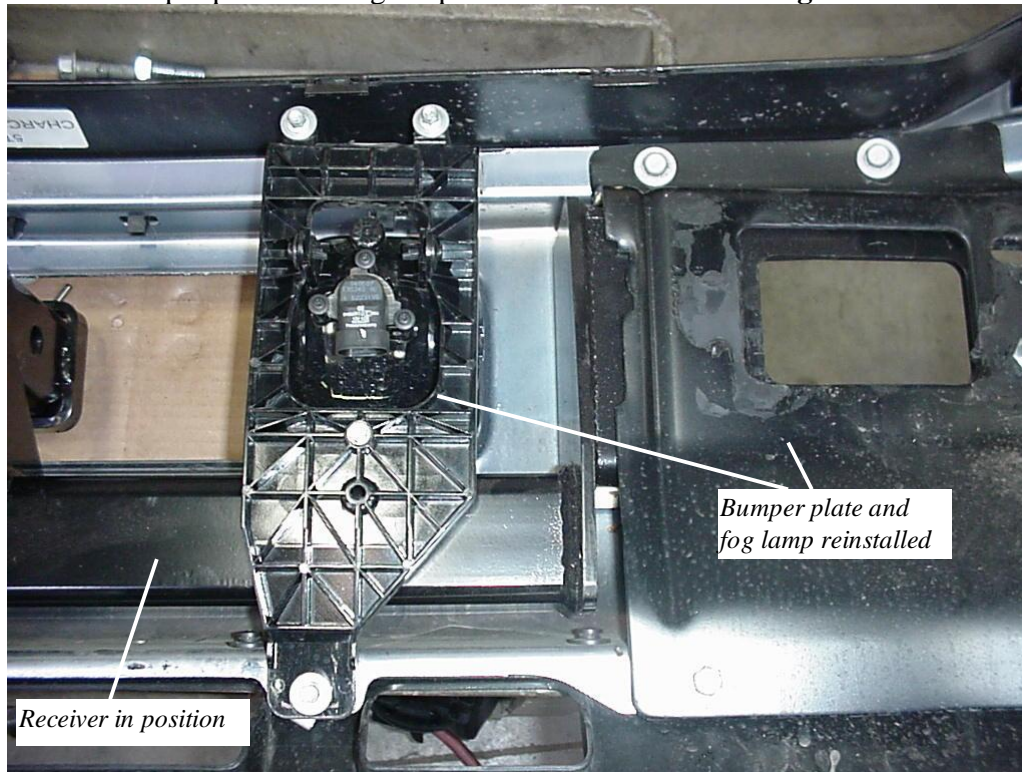


Figure 5 Rear of bumper, RH

10. Lift the bumper and Receiver into place on the vehicle.
11. Align the bumper mounting holes and install 1/2 x 2" bolts and flat washers in the bumper mounting holes. Center the bumper and Receiver and install 1/2" flat washers, lock washers and nuts. Temporarily tighten hardware.

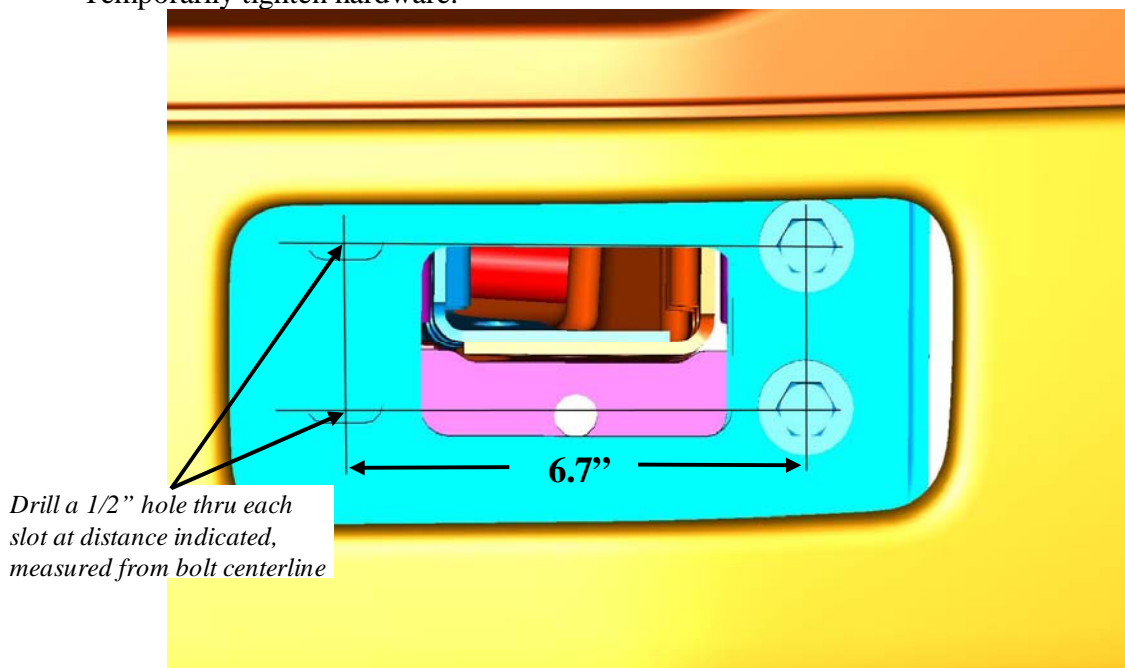


Figure 6 Bumper front

12. Measure 6.7" across from the bolt centerline and drill a 1/2" hole through each inboard slot in the Receiver into the bumper plate. The holes should line up with existing slots in the frame behind. **See Figure 6.**
13. Loosen the outer bumper bolts and slide a Shim between the back of the Receiver and the bumper plates, over the mounting bolts.
14. Slide one(1) Shim between the Receiver and the bumper plates at the drilled 1/2" holes. Install 1/2" hardware through the drilled holes.
15. Center the bumper and tighten the bumper hardware.
16. Attach each each Lower Bracket to the slot in the inboard side of the blocker beam bracket with 5/8" hardware. Tighten the bracket hardware here and at the Receiver. **See Figure 7.**

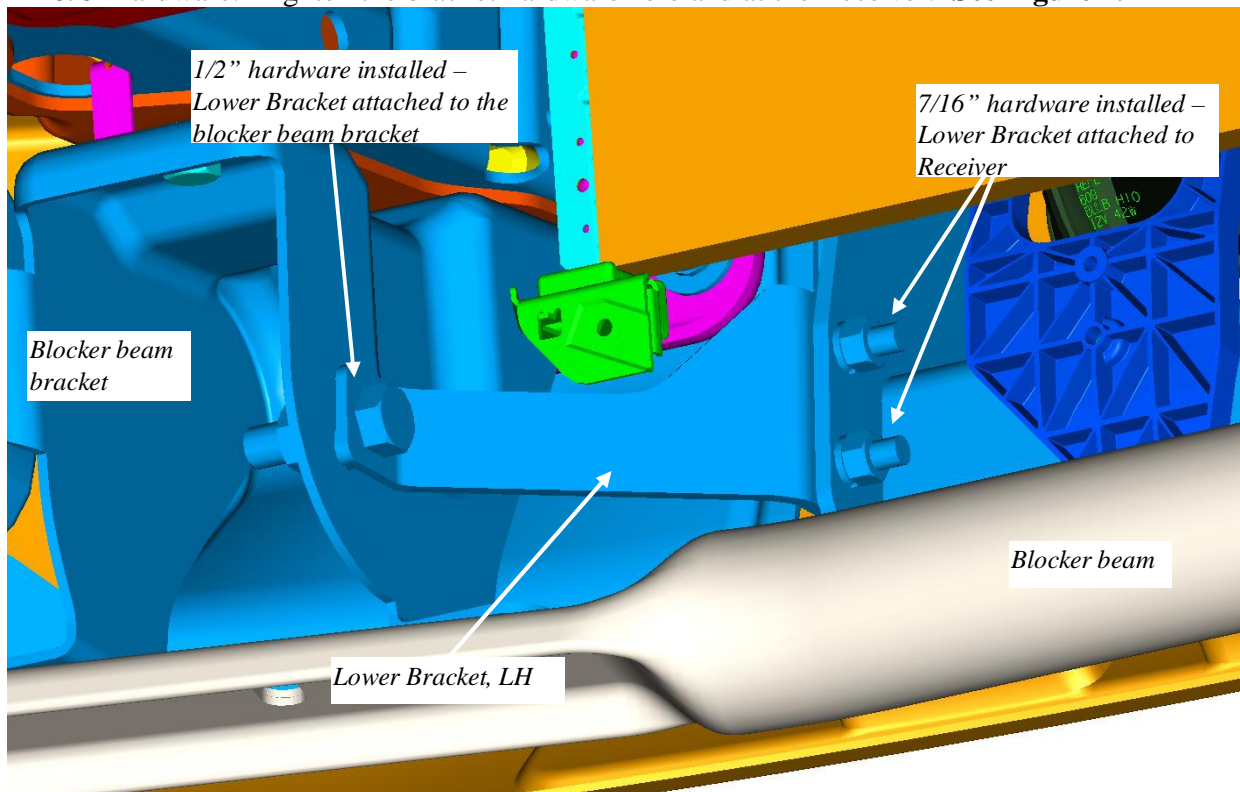


Figure 7 LH Lower Bracket installed

17. *Optional:* Install the License Plate Bracket under the bumper. Use 1/4" hardware through the existing holes in the bumper. **See Figure 8.**
18. Reinstall the factory tow loops with the original fasteners.
19. Reinstall the outboard bumper braces and tighten the hardware.
20. Reconnect the fog lamp wires.
21. Insert the Receiver Plug.

⚠ WARNING

FAILURE TO SECURELY TIGHTEN ALL BOLTS ON THE WINCH PLATE, WINCH, AND FAIRLEAD CAN RESULT IN PRODUCT FAILURE WHICH MAY RESULT IN VEHICLE DAMAGE AND OPERATOR INJURY OR DEATH. DOUBLE CHECK THAT ALL BOLTS ARE SECURELY TIGHTENED PRIOR TO USE.

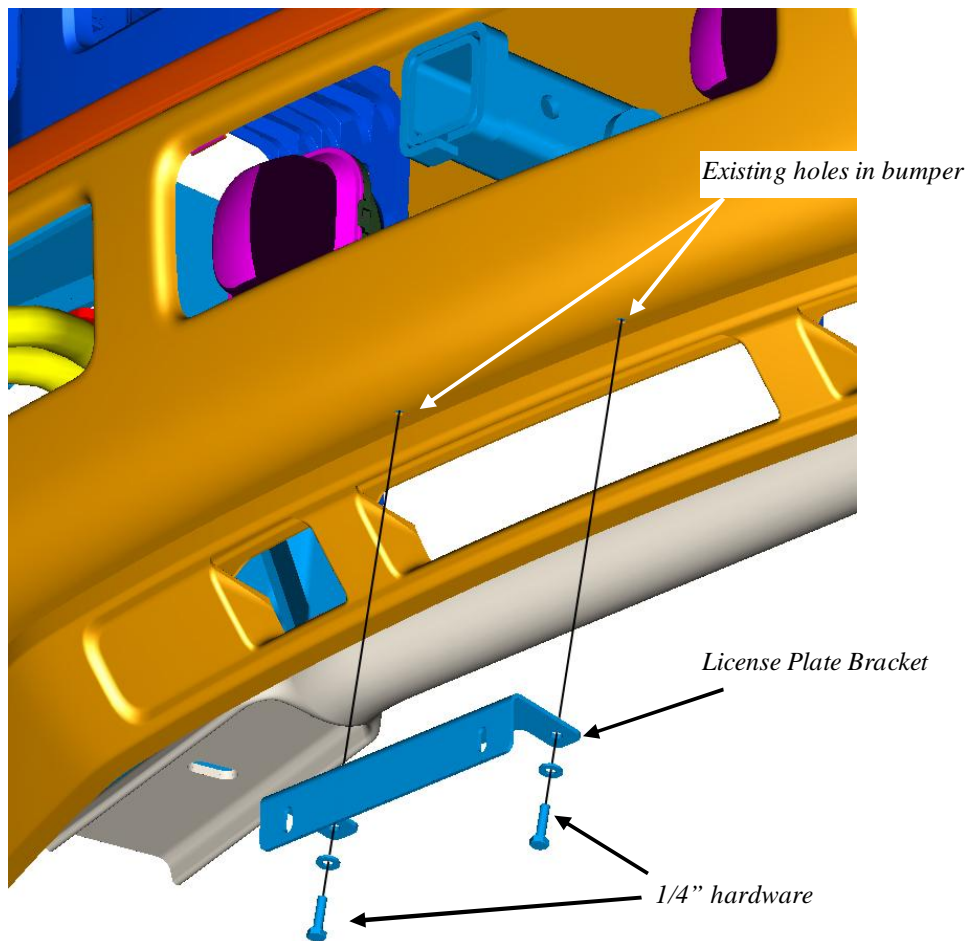


Figure 8 License Plate Bracket – exploded view

V. MAINTENANCE/CARE

1. Inspect all parts on the winch, winch mount, and related hardware prior to each use. Replace all hardware that appears rusted or deformed.
2. Inspect all nuts and bolts on the winch, winch mount, and related hardware prior to each use. Tighten all nuts that appear to be loose. Stripped, fractured, or bent bolts or nuts need to be replaced.
3. Check all cables prior to use. Replace cables that look worn or frayed.
4. Check all moving or rotating parts. Remove debris that may inhibit the part from moving freely.

⚠ WARNING

PERFORM REGULAR INSPECTIONS ON THE WINCH, WINCH MOUNT, AND RELATED HARDWARE. NEVER OPERATE THE WINCH WITH DAMAGED OR MISSING PARTS. FAILURE TO FOLLOW THIS WARNING MAY CAUSE VEHICLE DAMAGE AND OPERATOR INJURY OR DEATH.