



INSTALLATION INSTRUCTIONS

Brush Guard Kit no. 39190 (Black) for Chevrolet Trucks

PART NO.	QUANTITY	DESCRIPTION
62307	2	Center Tube, Black
62305	1	Brush Guard, RH, Black
62306	1	Brush Guard, LH, Black
39154	6	Nylon Washer
38483	2	Clamp
39371	2	Adapter
39372	2	Plug



WARNING

Drilling operations can cause flying metal chips. **WEAR SAFETY GOGGLES.** Flying metal chips can cause eye injury.

1. Install the Brush Guards onto the side plates of the Trans4mer Grille Guard as shown in **Figure 1**. Adjust outer ends for best alignment with lights and bumper. Tighten securely.
2. Install the Clamp over the tube approximately where shown in **Figure 1** and adjust to achieve best fit with bumper. Mark a drilling location and be sure that you drill thru the metal portion of the bumper below the plastic. Use spacer washers as necessary to fill any spaces.

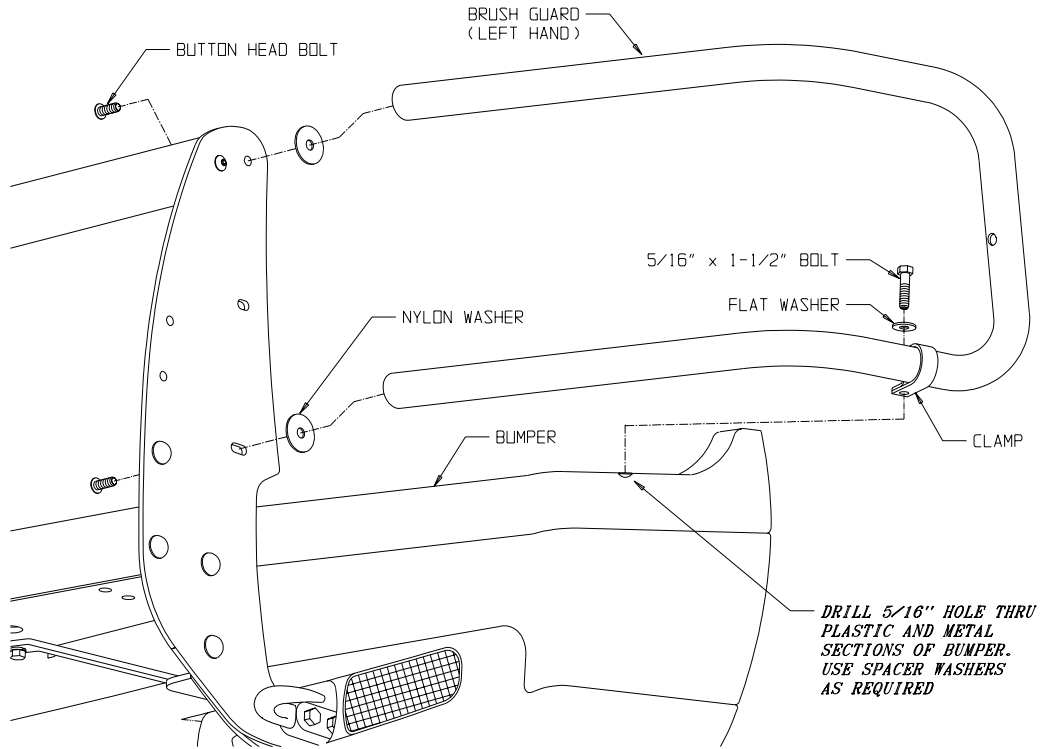


FIGURE 1

3. Install the Center Tube as shown in **Figure 2**. Note the adjustment slot in side member and adjust tube to achieve best fit. Note that the rubber Adapter is cut out at an angle and must be installed to match the Brush Guard properly. **Do not overtighten the Socket Head Bolt at the outer end.**

FIGURE 2

