



# INSTALLATION INSTRUCTIONS

## Brush Guard Kit

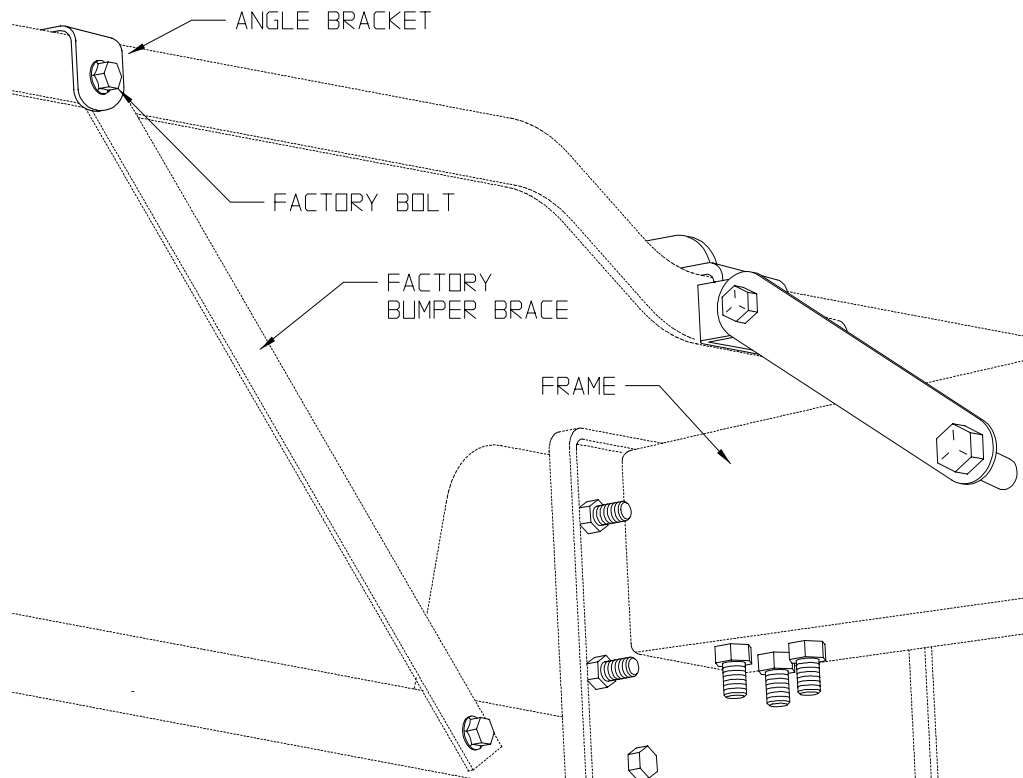
**Kit no. 38060 (Black) & 60450 (Stainless)  
for Ford Super Duty & Excursion Trucks**

### PARTS LIST

PART NO.	QUANTITY	DESCRIPTION
38062	1	Brush Guard, RH, Black
or 64684	1	Brush Guard, RH, Stainless
38063	1	Brush Guard, LH, Black
or 64685	1	Brush Guard, LH, Stainless
29146	4	Nylon Washer
38483	2	Clamp
38484	2	Angle Bracket

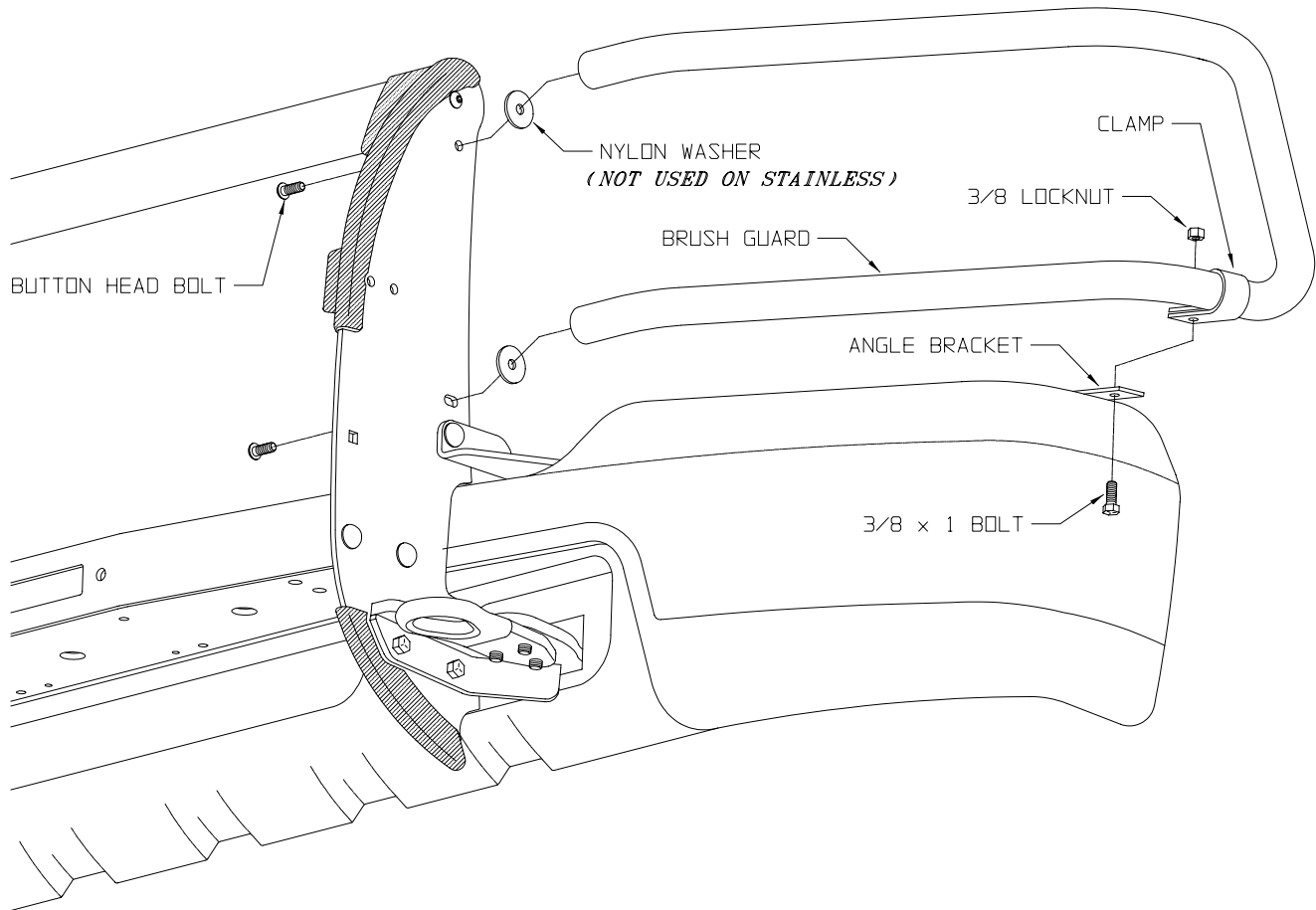
1. On the back side of the bumper, locate the factory diagonal braces that attach to the top edge of the bumper. Refer to **Figure 1** and install the Angle Brackets using the factory bolt. This is easiest when the bumper is off the truck during installation of the Rio Grande Grille Guard, but can also be done with the bumper on.

FIGURE 1



2. Refer to **Figure 2** and install the Brush Guards onto the side plates of the Rio Grande Grille Guard. Tighten securely.

FIGURE 2



3. Install the Clamps over the tubes and secure to the Angle Brackets as shown.

## **Warn Industries**

### **Stainless Steel Truck Accessories**

#### **What to expect:**

Polished stainless steel combines the beauty of a chrome-like appearance with extreme durability and corrosion resistance. With a minimum amount of care, the appearance will last almost indefinitely. Unlike platings or coatings, there is nothing to peel off or wear away that would allow corrosion underneath.

The actual appearance may not be exactly like new chrome in either the degree of luster or color. There may be fine polishing lines visible up close and small differences between mating parts of an assembly. A grille guard, for instance, may have small differences between the round tubing and the flat plate. The backside of a part may not be as highly polished as the front. However, part of the beauty and appeal of stainless actually lies in the smooth “hand-worked” appearance.

There also is a possibility that small rust spots can appear on stainless products. They are usually due to minor iron contamination on the surface as a result of normal manufacturing and handling processes. This minor rust, if it occurs at all, is easy to remove and will not tend to spread.

#### **Recommended care:**

Regular washing with fresh water and mild car wash detergents followed by rinsing and drying with a soft towel is the best minimum care. Beyond that, any cleaner/wax recommended for automotive finishes will work well to remove minor stains and scuffs, enhance the shine and provide protection. Always use clean soft cotton cloths. In most cases, this will be all that is required for many years. For more serious blemishes or a rust spot, use a cream metal polish recommended for stainless, aluminum, etc. Try to rub in the direction of the original polishing lines.

Ultimately, any stainless part can be restored to a brilliant shine with power buffing processes.

#### **Caution:**

Do not use steel wool or any type of metal scraper. Do not use “Scotch Brite” pads or abrasive powdered cleaners. Do not try to clean with muriatic acid or any other acid.

#### **Stainless Fasteners**

Stainless steel fasteners are included in many of the stainless kits. These fasteners provide similar corrosion resistance and appearance as the rest of the kit. However, stainless fasteners are prone to galling when installed in similar stainless material. It is a good idea to apply a small amount of anti-seize compound to the threads when installing them. Care should also be taken when tightening the fasteners to prevent rounding or deforming the corners of the bolts. Make sure the wrenches are the correct size and fit properly. In the case of socket heads, the wrench should have sharp, un-worn edges. With a few precautions during assembly the products should provide years of service.