


INSTALLATION INSTRUCTIONS




ATV SWITCH ASSEMBLY - 36015

UTL SWITCH ASSEMBLY - 36016

REMOTE MOUNT SWITCH ASSY. - 36033

**WARNING**



To Prevent Serious Injury :

- Disconnect power to winch and switch before wiring.
- Read and follow all wiring instructions.
- Insulate and protect all exposed wiring and electric terminals.

FOLLOW ALL APPLICABLE STEPS

- 1) Disconnect power and remove existing switch.
- 2) For items 36015 and 36033 refer to FIGURE 1-1 and FIGURE 1-2
- 2a) For items 36016 refer to FIGURE 2-1 and FIGURE 2-2

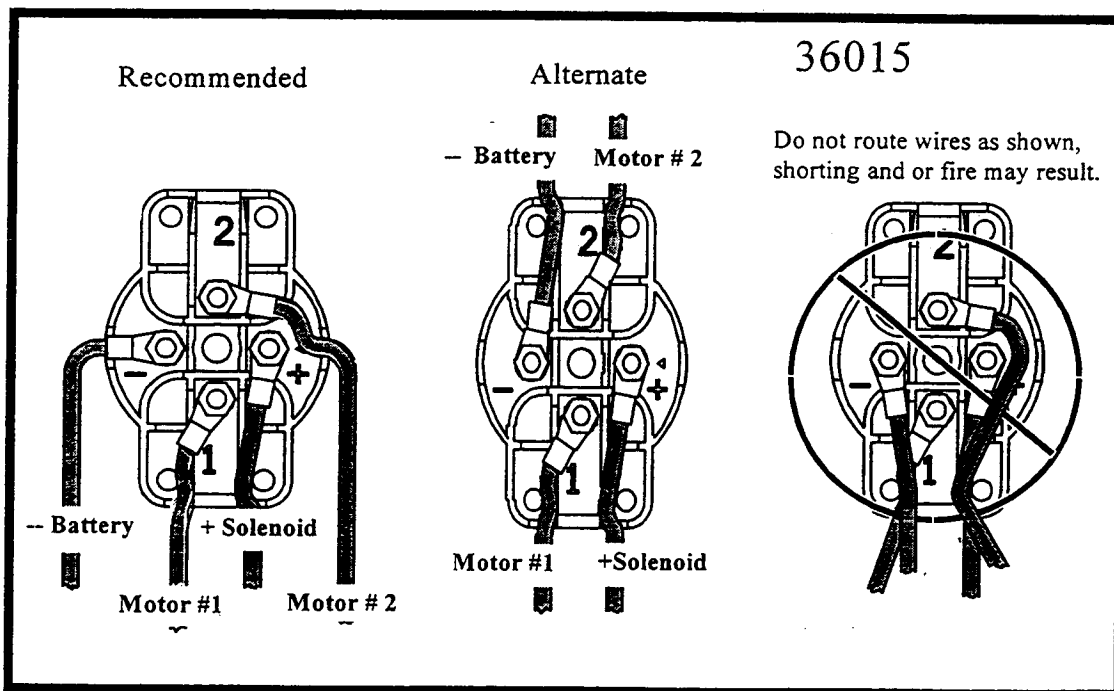


FIGURE 1-1

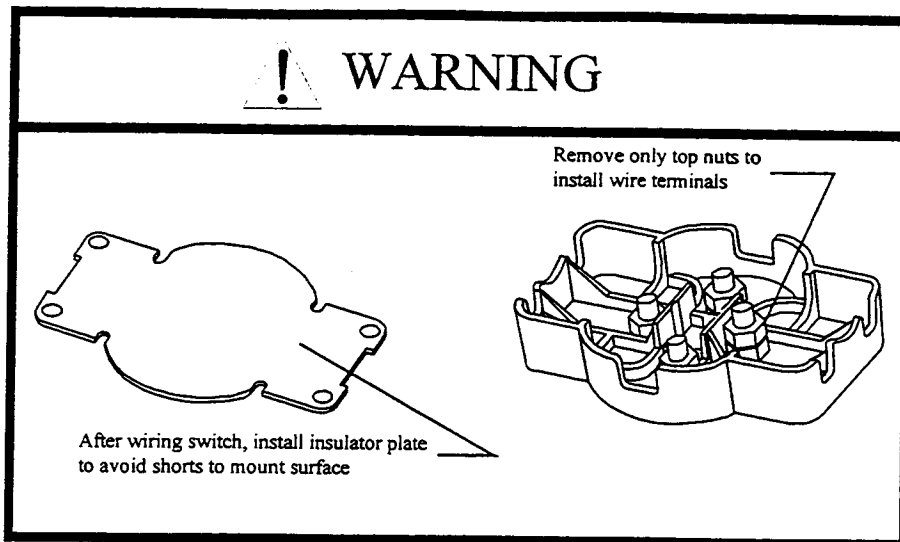


FIGURE 1-2

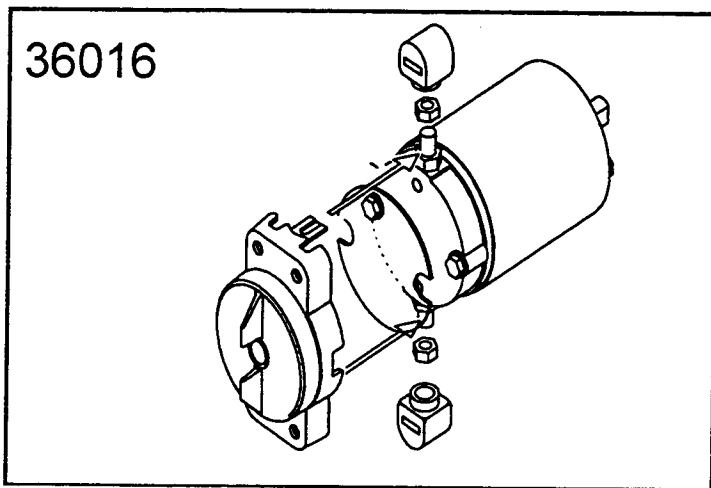


FIGURE 2-1

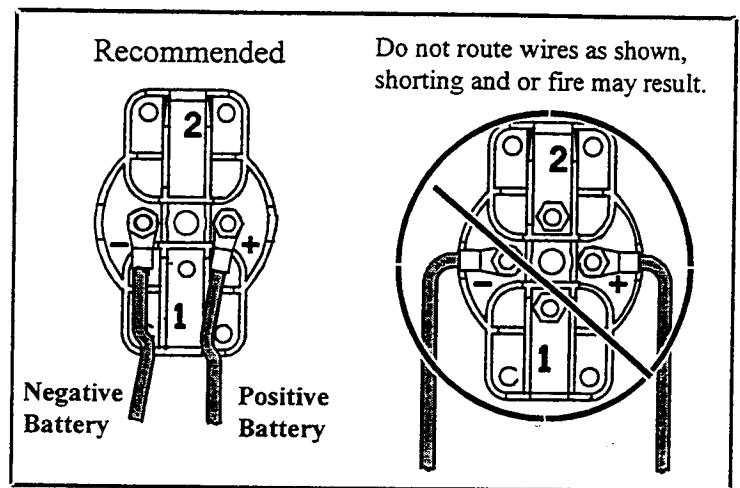


FIGURE 2-2

- 3) Recheck wiring and connections for exposed terminals or improper connections.
- 4) Mount switch in a convenient location that will remain protected and dry.

WARNING: Be sure to use the insulator plate that is provided with the switch when mounting the switch to any surface this will protect the switch from shorting

- 5) Position winch clutch knob to "Freespool" location. Pull out approximately 10ft {3.0 m} of wire rope. Position winch clutch knob to "Engage" location.
- 6) Reconnect power to winch and switch.
- 7) Check winch for proper operation.