



INSTALLATION INSTRUCTIONS

Trans4mer mounting system

Part No 30092 (black)

Part No. 65656 (stainless)

For Dodge Full-Size Trucks

As you read these instructions, you will see **NOTES**, **CAUTIONS** and **WARNINGS**. Each message has a specific purpose. **NOTES** are additional information to help you complete a procedure. **CAUTIONS** are safety messages that indicate a potentially hazardous situation which, if not avoided, may result in minor or moderate injury. A **CAUTION** may also be used to alert against unsafe practice. **WARNINGS** are safety messages that indicate a potentially hazardous situation, which, if not avoided could result in serious injury. **CAUTIONS** and **WARNINGS** identify the hazard, indicate how to avoid the hazard, and advise of the probable consequence of not avoiding the hazard. **PLEASE WORK SAFELY!**

▲WARNING

USE EXTREME CAUTION WHEN DRILLING ON ANY VEHICLE. MAKE SURE THAT ALL FUEL LINES, BRAKE LINES, ELECTRICAL WIRES AND OTHER OBJECTS ARE NOT PUNCTURED OR DAMAGED WHEN/IF DRILLING ON THE VEHICLE. THOROUGHLY INSPECT THE AREA TO BE DRILLED (BOTH INBOARD AND OUTBOARD SIDE OF FRAME) PRIOR TO DRILLING, AND RELOCATE ANY OBJECTS THAT MAY BE DAMAGED. FAILURE TO INSPECT THE AREA TO BE DRILLED MAY RESULT IN VEHICLE DAMAGE, ELECTRICAL SHOCK, FIRE, OR PERSONAL INJURY.

▲WARNING

WEAR SAFETY GLASSES WHEN INSTALLING THIS KIT.

NOTE: Please read these instructions thoroughly before starting installation of this kit. Minor modifications may be required due to variations between vehicles.

PARTS LIST

PART NO.	QUANTITY	DESCRIPTION
39379	1	Frame Extension Assembly, R. H.
39380	1	Frame Extension Assembly, L. H.
30094	2	Side Member, Black
65649	2	Side Member, Stainless
35396	1	Strap, L.H.
35397	1	Strap, R.H.
29365	1	Tube Assembly, Black, 1.50" Dia.
63688	1	Tube Assembly, Stainless, 1.50" Dia.
29366	1	Tube Assembly, Black, 2.50" Dia.
60326	1	Tube Assembly, Stainless, 2.50" Dia.
30078	2	Nut, with wire handle

This **WARN Trans4mer system** can be customized to give your Dodge truck a wide variety of looks, front end protection and winch mounting capability. The system starts with this strong two-tube Grille Guard that attaches to the truck's frame with brackets designed by Warn engineers to handle up to a 12000 lb winch. It is durable and good looking, even as a stand alone Grille Guard, but can be easily upgraded with some great options! You can add a third large size tube (Light Bar) that adds even more protection and includes tabs for mounting auxiliary lights. The tubes can be mounted in a variety of

positions to achieve the look and function that you desire. You can mount a Winch Carrier Bracket that provides a permanent mount for a Warn winch. You may also add a Receiver Bracket that will handle the Warn Multi-mount winch system, a draw bar or any other accessory that fits the standard 2 inch receiver tube.

WARN PART NUMBERS FOR AVAILABLE OPTIONS

Light Bar Kit, (Black)	29395
Light Bar Kit (Stainless)	63325
Winch Carrier Kit (large winch)	30030
Winch Carrier Kit	29394
Receiver Kit (Black only)	29397
Brush Guard Kit (Black)	30106
Brush Guard Kit (Stainless)	65878

TORQUE SPECIFICATIONS

Bolt size	Torque
3/8 inch	30 LB. FT (40.7 N-m)
7/16 inch	50 LB. FT (67.8 N-m)

▲WARNING Never fasten parts to this kit in a position that will interfere with or damage brake lines, electrical wires, fuel tank or other objects. Damage to vehicle brakes, electrical system, or other systems may occur if brackets are installed improperly, resulting in serious injury. Tighten all fasteners securely.

1. If the vehicle has the plastic air dam under the bumper and plastic inserts in the bumper openings, cut slots as shown in Figure 1. **The straps shown in Figure 4 cannot be installed until the plastic inserts are cut.**

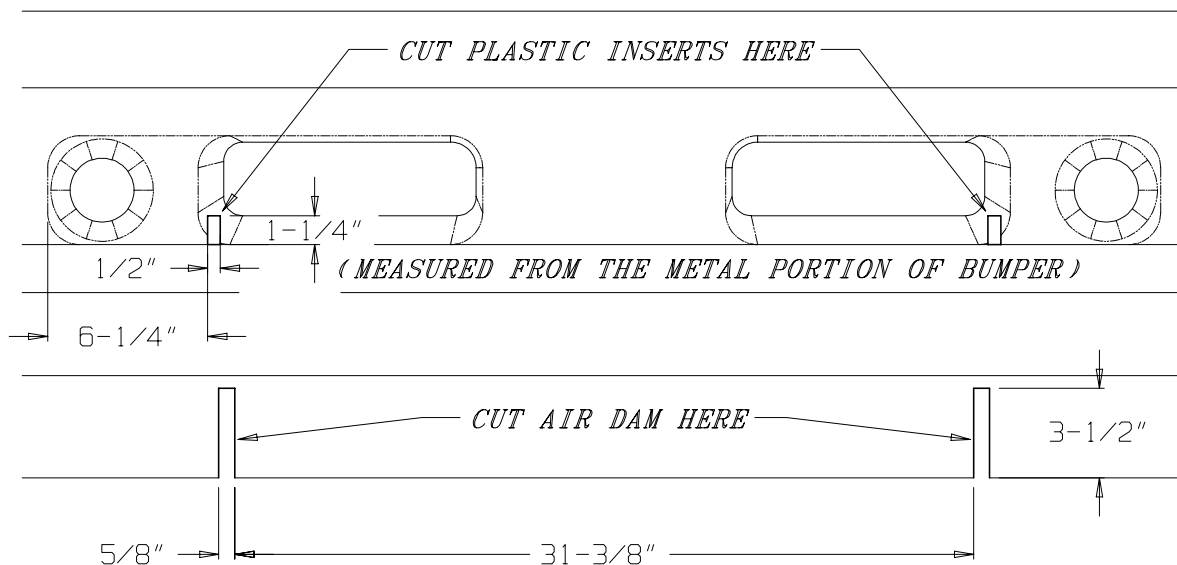


Figure 1

2. Remove factory tow hooks and brackets if so equipped. The tow hooks can be reinstalled on the Warn frame extensions if desired. Take out front two bumper bracket bolts on each side. Leave rear bolt tight to hold bumper secure and aligned.

3. Install upper front bolt (7/16 x 1-3/4 furnished with kit) connecting factory bumper bracket to frame and tighten securely. See **Figure 2**. Now remove the rear factory bumper bracket bolt.

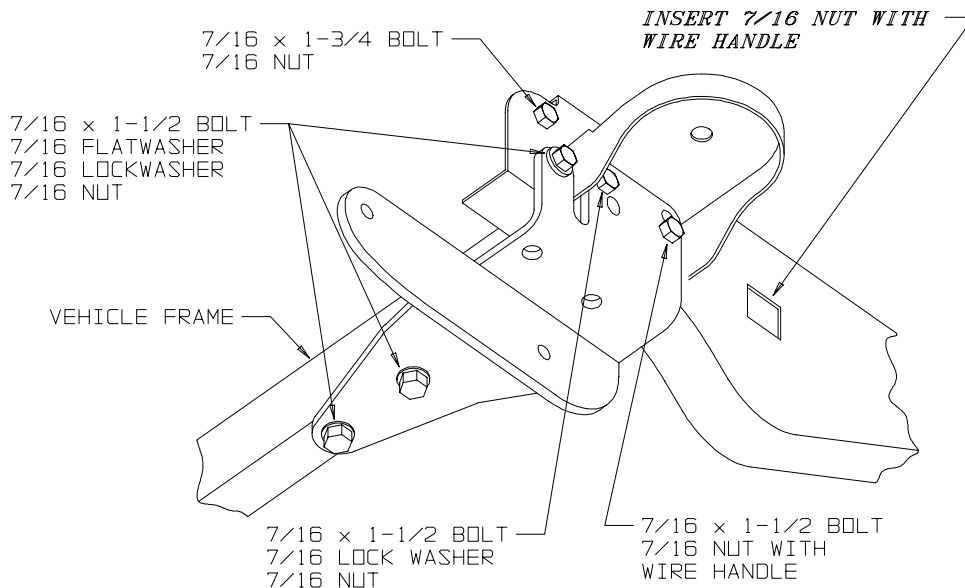


Figure 2

4. Install the frame extensions using the two lower factory bumper bracket locations and the large slot to the rear. **Use flat washers wherever the bolt or nut seats against a slot.** Use the nut with wire handle at the rear slot inserting thru the square hole in the outside of the frame. Visibly line up nut with end of bolt by viewing thru slot on inside of frame.

NOTE: Choose the bolt holes that best line up on your truck. There are year-to-year variations in the hole locations.

NOTE: If brush guards are being installed refer to brush guard installation instructions at this time.

NOTE: Stainless Kits

- **Stainless Kits do not use the plastic washers between the Side Members and Grille Guard Tubes noted in Figure 3. The tubes and Side Members are bolted directly together.**
- **Stainless Kits do not use the plastic hole plugs noted in Figure 3.**
- **Stainless Kits use 7/16" stainless button head bolts in place of round head (carriage) bolts installed through the Side Members as noted in Figure 4.**
- **Stainless Kits use 7/16" insert lock nuts on the stainless bolts in place of the nuts and lock washers noted in Figure 4.**

5. Refer to **Figures 3 & 4** and install the side members on the outsides of the frame extensions.
6. If the Trans4mer is being installed as a grille guard and a winch is not being mounted at this time, install the tubes in any desired position as shown in **Figure 3**. If the Winch Carrier or the Receiver Kit is being added, remove factory license bracket and install a tube only in the top position and then refer to the specific instructions packaged with those items.

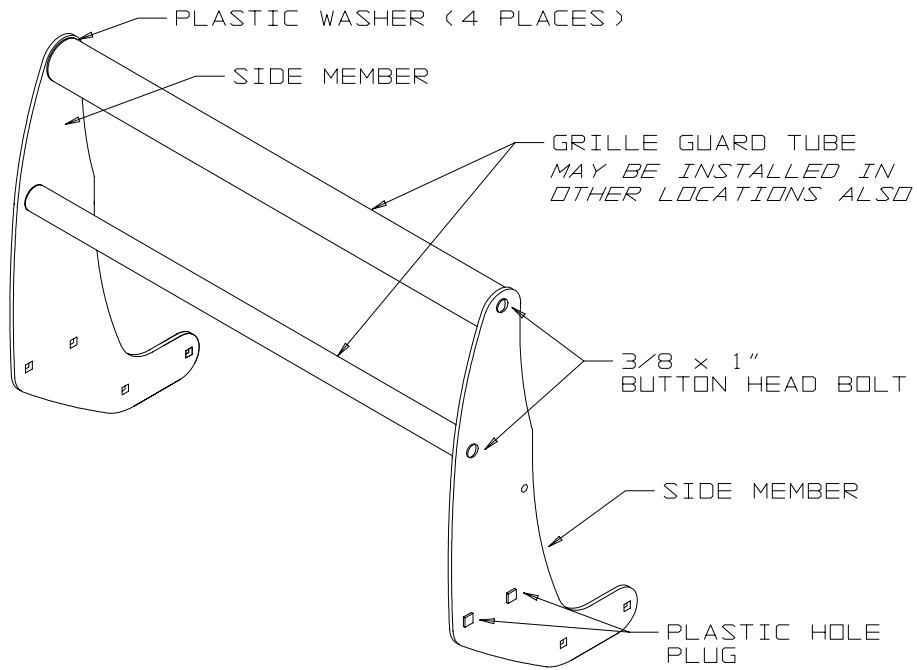


Figure 3

7. Align the entire assembly with the vehicle and tighten all fasteners securely.

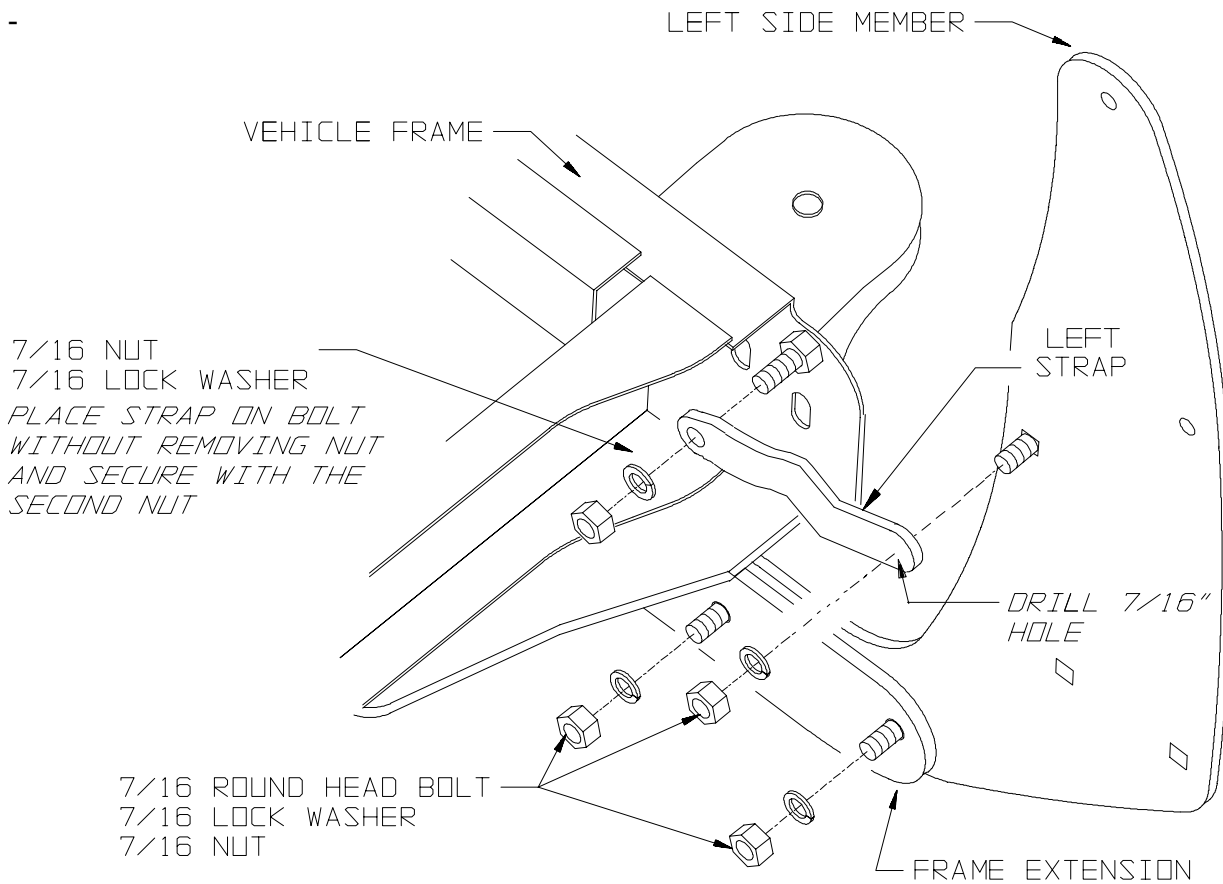


Figure 4



WARNING



Drilling operations can cause flying chips. **WEAR SAFETY GOGGLES.** Flying chips can cause eye injury.

8. Install the straps through the bumper slots and onto the front upper frame bolt and **place on top of nut, not under.** Mark the outer end of strap for drilling where it meets square hole in side member. Drill 7/16" dia. hole. See **Figure 4.**

Stainless Steel Truck Accessories

What to expect:

Polished stainless steel combines the beauty of a chrome-like appearance with extreme durability and corrosion resistance. With a minimum amount of care, the appearance will last almost indefinitely. Unlike platings or coatings, there is nothing to peel off or wear away that would allow corrosion underneath.

The actual appearance may not be exactly like new chrome in either the degree of luster or color. There may be fine polishing lines visible up close and small differences between mating parts of an assembly. A grille guard, for instance, may have small differences between the round tubing and the flat plate. The backside of a part may not be as highly polished as the front. However, part of the beauty and appeal of stainless actually lies in the smooth "hand-worked" appearance.

There also is a possibility that small rust spots can appear on stainless products. They are usually due to minor iron contamination on the surface as a result of normal manufacturing and handling processes. This minor rust, if it occurs at all, is easy to remove and will not tend to spread.

Recommended care:

Regular washing with fresh water and mild car wash detergents followed by rinsing and drying with a soft towel is the best minimum care. Beyond that, any cleaner/wax recommended for automotive finishes will work well to remove minor stains and scuffs, enhance the shine and provide protection. Always use clean soft cotton cloths. In most cases, this will be all that is required for many years. For more serious blemishes or a rust spot, use a cream metal polish recommended for stainless, aluminum, etc. Try to rub in the direction of the original polishing lines.

Ultimately, any stainless part can be restored to a brilliant shine with power buffing processes.

Caution:

Do not use steel wool or any type of metal scraper. Do not use "Scotch Brite" pads or abrasive powdered cleaners. Do not try to clean with muriatic acid or any other acid.

Stainless Fasteners

Stainless steel fasteners are included in many of the stainless kits. These fasteners provide similar corrosion resistance and appearance as the rest of the kit. However, stainless fasteners are prone to galling when installed in similar stainless material. It is a good idea to apply a small amount of anti-seize compound to the threads when installing them. Care should also be taken when tightening the fasteners to prevent rounding or deforming the corners of the bolts. Make sure the wrenches are the correct size and fit properly. In the case of socket heads, the wrench should have sharp, un-worn edges. With a few precautions during assembly the products should provide years of service