



INSTALLATION INSTRUCTIONS

WARN RECEIVER KIT NO.29166 and 29397

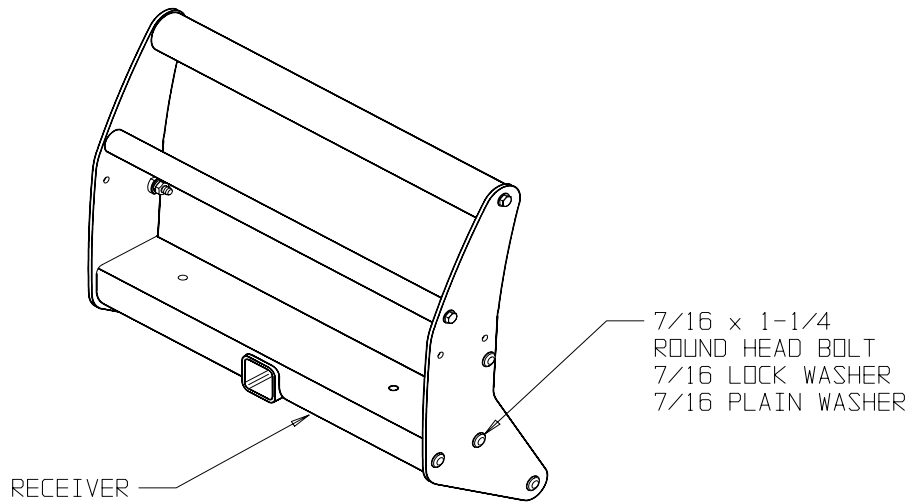
for use with Trans4mer Mounting Systems

PARTS LIST

PART NO.	QUANTITY	DESCRIPTION
29153	1	Receiver Bracket, 25"
32540	1	Receiver Bracket, 32"
29176	2	License Plate Bracket

1. Install the receiver bracket between the side members as shown. Use the black bolts with the black side members and the silver bolts with the chrome side members.

FIGURE 1



2. If a front license plate is required in your state, attach the license plate brackets to the rear round holes in the receiver bracket with 1/4 x 1 bolts, lock washers and nuts.

IMPORTANT: Many vehicles require extra braces when the receiver bracket is installed. These are packaged with the with the Trans4mer Kit for the particular make of vehicle. Instructions for installing the braces are also included with the Trans4mer Kits.

NOTE: Holes are provided in the top of the receiver bracket for mounting WARN auxiliary lights.