



INSTALLATION INSTRUCTIONS

WINCH MOUNT

KIT NO. 21395

FOR JEEP YJ

PARTS LIST

QTY.	PART NO.	DESCRIPTION
11325	1	BRACKET, WINCH MOUNT
21392	1	RIGHT BRACKET
21391	1	LEFT BRACKET

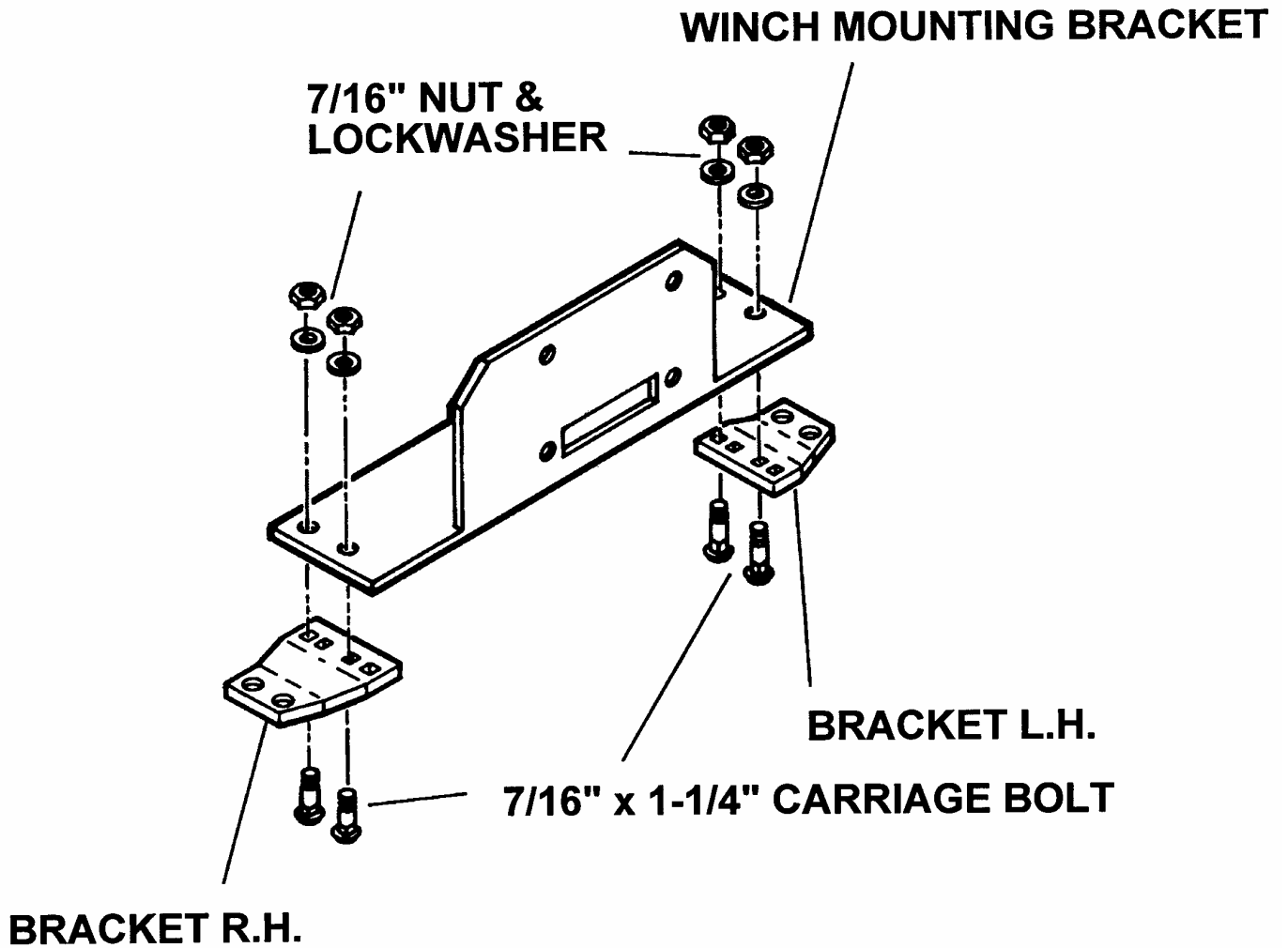
TORQUE SPECIFICATIONS:

BOLT SIZE	TORQUE
1/4 inch	8 lb. ft (10.N-m)
3/8 inch	30 lb. ft (40.7 N-m)
7/16 inch	50 lb. ft. (67.8 N-m)
1/2 inch	75 lb. ft (101.7 N-m)

NOTE: Follow the instructions step by step for fastest installation. Do not securely tighten fasteners until directed to do so.

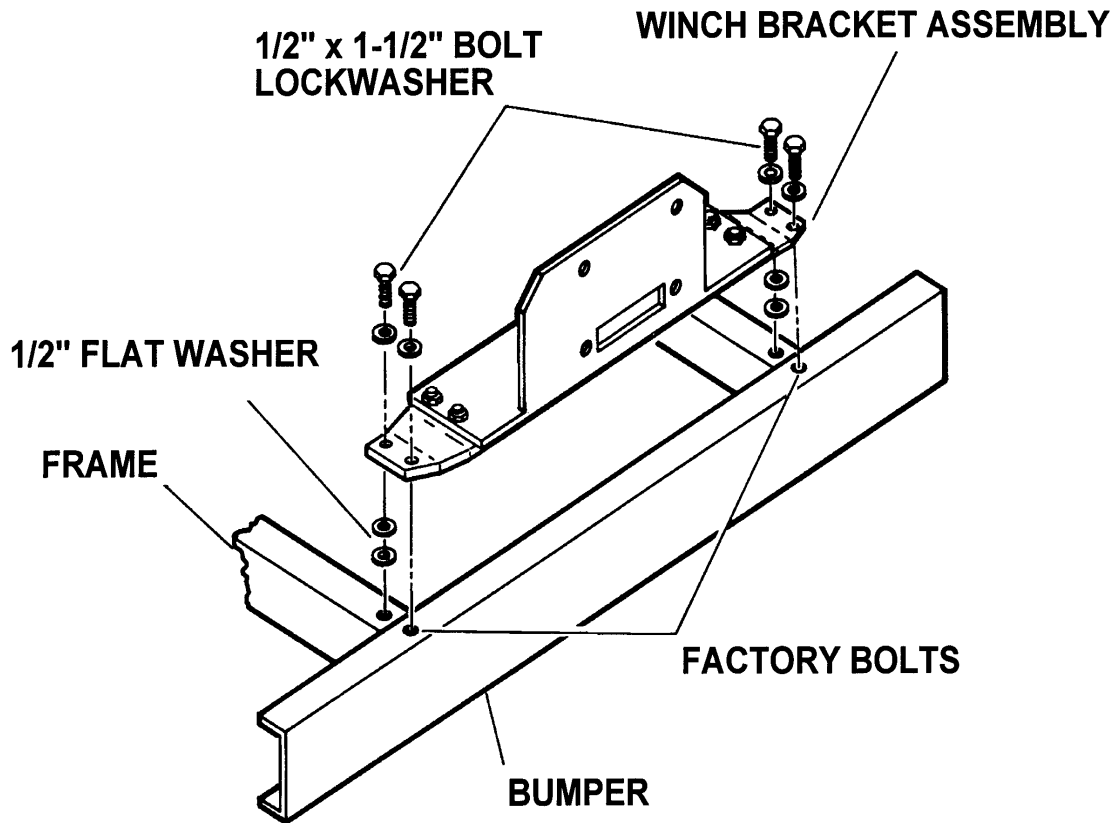
1. Install the right and left brackets onto the winch mounting plate as shown in **Figure 1**. Lightly tighten fasteners at this time.

FIGURE 1



2. Remove the plastic panel which covers the vehicle frame directly in front of the grille. Remove the two factory bolts which attach the bumper to the top of the frame.
3. Install the winch bracket assembly onto the vehicle as shown in **Figure 2**. Tighten all fasteners to recommended torque specification.

FIGURE 2



4. Install Warn M8274 Winch as described in the winch installation instructions.