



INSTALLATION MANUAL

S224045-2

Parts List

1	Driver / left side bar
1	Passenger / right side bar
6	Mounting bracket, universal
2	Mounting bracket, passenger / right, front, upper
2	Mounting bracket, passenger / right, front, lower
14	Clip nut, M8
14	Hex bolt, M8 x 25mm
14	Flat washer, M8
14	Lock washer, M8
18	Hex bolt, M10 x 30mm
18	Flat washer, M10
18	Lock washer, M10

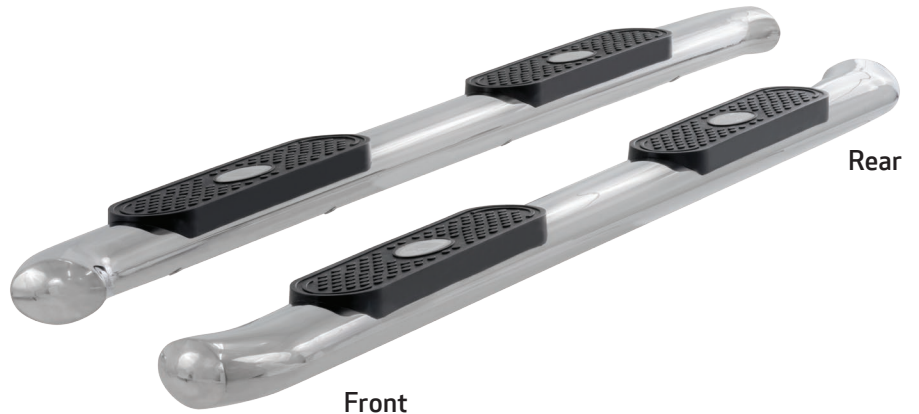
Level of Difficulty

Easy



Scan for helpful install tips

Product Image



Tools Required

Ratchet	Socket, 16mm
Wrench, 16mm	Socket, 13mm
Level	

Torque Specifications

	METRIC	
	M6 bolt	3 ft.-lbs.
	M8 bolt	7 ft.-lbs.
	M10 bolt	16 ft.-lbs.
	M12 bolt	28 ft.-lbs.
	SAE	
	1/4" bolt	3 ft.-lbs.
	5/16" bolt	7 ft.-lbs.
	3/8" bolt	16 ft.-lbs.
	7/16" bolt	20 ft.-lbs.
	1/2" bolt	28 ft.-lbs.

Use above torque setting unless otherwise noted

Notes and Maintenance

Before you begin installation, read all instructions thoroughly.

Proper tools will improve the quality of installation and reduce the time required.

To protect the product, wax after installing. Regular waxing is recommended to add a protective layer over the finish. Do not use any type of polish or wax that may contain abrasives that could damage the finish.

For polished, gloss and other smooth finishes, polish may be used to clear small scratches and scuffs on the finish.

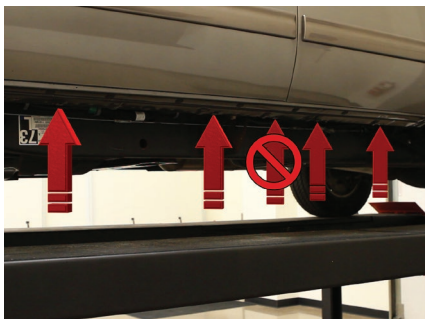
Mild automotive detergent may be used to clean the product. Do not use dish detergent, abrasive cleaners, abrasive pads, wire brushes or other similar products that may damage the finish.

Refer to the table to the left when securing hardware during the installation process to help prevent damage to the product or vehicle.

Step 1

Locate the five mounting tabs along the bottom edge of the vehicle body.

This installation will use the first, second, fourth and fifth mounting tabs.



Step 2

Starting at the front driver side mounting location, locate the threaded hole on the inside of the body panel.

Attach a universal mounting bracket to the body panel using an M8 hex bolt with a lock and flat washer.

Snug the hardware, but do not fully tighten.



Step 3

Rotate the bottom of the bracket to the side to expose the hole in the mounting tab.

Slide an M8 clip-nut over the mounting tab and rotate the bracket back into position.

Secure the bracket with a second M8 hex bolt, lock washer and flat washer.

Snug the hardware, but do not fully tighten.



Step 4

Repeat steps 2 and 3 to install the second bracket over the second mounting tab location from step 1.



Step 5

Locate the fourth mounting tab from step 1 and remove the rubber plug from the access hole.

Insert a clip nut through the access hole and align it over the adjacent small hole.

Secure the top of the bracket with an M8 hex bolt, lock washer and flat washer.

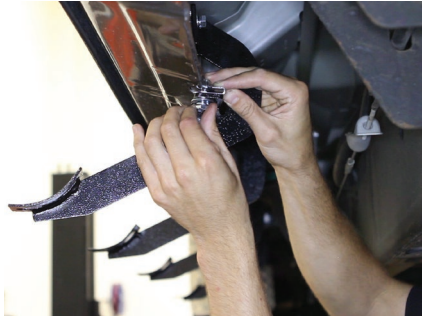
Repeat step 3 to secure the bottom of the bracket.



Step 6

Locate the fifth mounting tab from step 1.

Repeat step 5 to install the fourth and final bracket on the driver side of the vehicle.



Step 7

Carefully position the side bar onto the mounting brackets.

Ensure all the mount locations on the bottom of the side bar line up with the mounting brackets.

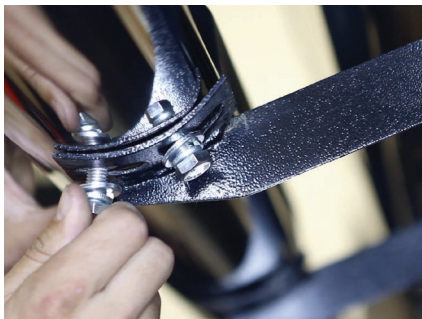
Note: If the holes on the side bar do not match up with the brackets, ensure all brackets have been installed in the correct locations and the correct side bar is being used.



Step 8

Attach the side bar to the brackets with eight of the M10 hex bolts, lock washers and flat washers.

Snug the hardware, but do not fully tighten.



Step 9

Ensure the vehicle is on level ground.

Use a bubble level ensure the side bar is level and parallel with the side of the vehicle. Make adjustments to the bracket positions and rotate the side bar as necessary.

With the side bar aligned, tighten all the hardware on the brackets to the vehicle.

Double check that the side bar is level and finalize the install by tightening all the hardware securing it to the brackets.



Step 10

Locate the front mounting point on the passenger side of the vehicle to install the front two passenger mounting brackets.

Note: If there is a Def tank you will not be able to insert the M8 hardware on front upper bracket.

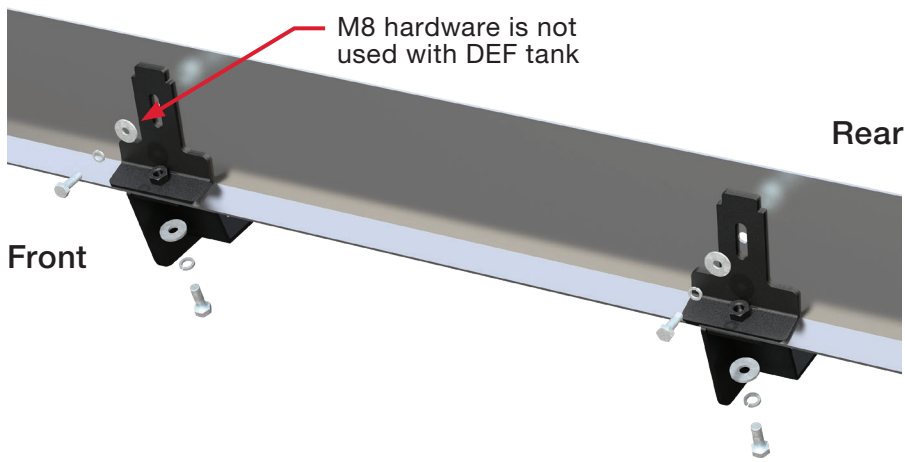
Place the upper mounting bracket against the rocker panel. Align the weld nut on the upper mounting bracket with the mounting hole in the rocker panel. Secure the top mounting bracket to the rocker panel using an M8 hex bolt, M8 lock washer and M8 flat washer.

Align one of the passenger front lower mounting brackets with the upper mounting bracket. Secure the two mounting brackets together using an M10 hex bolt, M10 lock washer and M10 flat washer.

Torque all M10 hardware to 31.6 ft-lbs.

Repeat this process to install the second passenger mounting bracket.

Snug the hardware, but do not fully tighten.



Step 11

Repeat steps 5 through 9 on the passenger side for the remaining brackets and side bar.



Step 12

Congratulations on the installation of your new ARIES 4" oval side bars.

With the side bars installed, periodic inspections should be performed to ensure all mounting hardware remains tight.

To protect your investment, see the 'Notes and Maintenance' section on the first page of this instruction manual.

