

# INSTALLATION MANUAL

# P3066

## Level of Difficulty

Moderate

## Parts List

1	Grille guard
1	Driver / left frame bracket
1	Passenger / right frame bracket
1	2015-2017 Driver / left upper mounting bracket
1	2015-2017 Passenger / right upper mounting bracket
1	2018-2020 Driver / left upper mounting bracket
1	2018-2020 Passenger / right upper mounting bracket
1	2021-Current Driver / left upper mounting bracket
1	2021-Current Passenger / right upper mounting bracket
1	LED support flange
2	Hex bolt, 8 - 1.25mm x 40mm
4	Hex bolt, 8 - 1.25mm x 30mm
4	Nylock nut, 8 - 1.25mm
4	Hex bolt, 10 - 1.5mm x 30mm
4	Nylock nut, 10 - 1.5mm
2	Double nut plate, 12 - 1.75mm
4	Hex bolt, 12 - 1.75mm x 35mm
2	Clip-on nuts, M8
4	Lock washer, M8
8	Flat washer, M8 x 22mm OD x 2mm
8	Flat washer, M10 x 24mm OD x 2.2mm
4	Lock washer, M12
4	Flat washer, M12 x 32mm OD x 3mm

## Torque Specifications

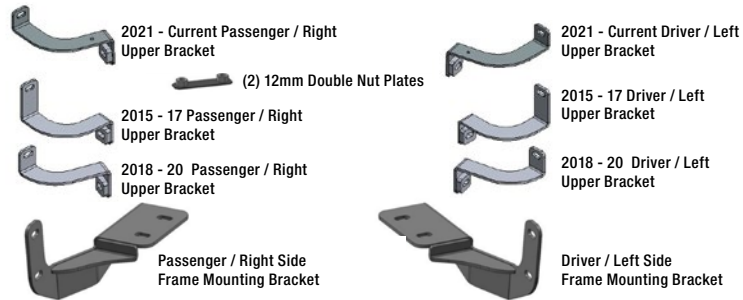
	Metric	SAE
M6 bolt	3 ft.-lbs.	
M8 bolt	7 ft.-lbs.	
M10 bolt	16 ft.-lbs.	
M12 bolt	28 ft.-lbs.	
1/4" bolt	3 ft.-lbs.	
5/16" bolt	7 ft.-lbs.	
3/8" bolt	16 ft.-lbs.	
7/16" bolt	20 ft.-lbs.	
1/2" bolt	28 ft.-lbs.	

Use above torque setting unless otherwise noted

## Product Photo



## Brackets and Hardware



Support Flange

## Notes and Maintenance

Before you begin installation, read all instructions thoroughly.

Proper tools will improve the quality of installation and reduce the time required.

To protect the product, wax after installing. Regular waxing is recommended to add a protective layer over the finish. Do not use any type of polish or wax that may contain abrasives that could damage the finish.

For polished, gloss and other smooth finishes, polish may be used to clear small scratches and scuffs on the finish.

Mild automotive detergent may be used to clean the product. Do not use dish detergent, abrasive cleaners, abrasive pads, wire brushes or other similar products that may damage the finish.

Refer to the last page of this manual for troubleshooting, warranty and product registration information.

Refer to the table to the left when securing hardware during the installation process to help prevent damage to the product or vehicle.

### Step 1A - For vehicles with factory tow hooks

Remove the driver-side tow hook and plastic trim between the tow hook and splash guard.

**Note:** Do not move the nut plate inside the frame. Plastic trim will not be reinstalled.

Select the driver-side frame mounting bracket. Insert the bracket between the tow hook and the frame. Reattach the tow hook( without trim), with the factory bolts. Snug the hardware, but do not fully tighten.

Repeat this process on the passenger side.



### Step 1B - For vehicles without factory tow hooks

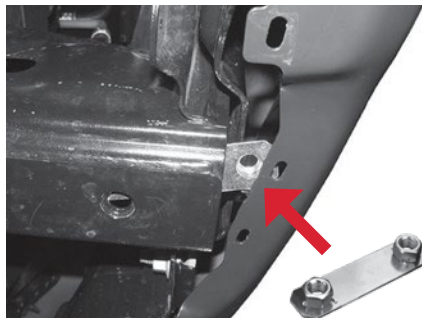
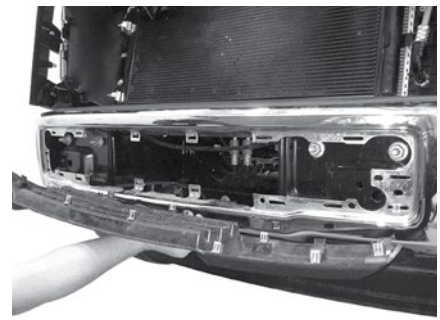
From behind the bumper, release the clips attaching the plastic bumper pads to the steel bumper. Temporarily remove the pads and license plate mounting bracket. Remove the air dam and plastic splash guard.

**Note:** Grille removed for clarity only. Removal of the grille is not required.

Insert one M12 double nut plate into the end of the driver side of the frame. Line up the nut plate with the holes in the bottom of the frame and the driver-side frame mounting bracket.

Attach the bracket to the bottom of the frame and nut plate with the M12 hex bolts, M12 lock washers and M12 flat washers. Snug the hardware, but do not fully tighten.

Repeat this process on the passenger side.

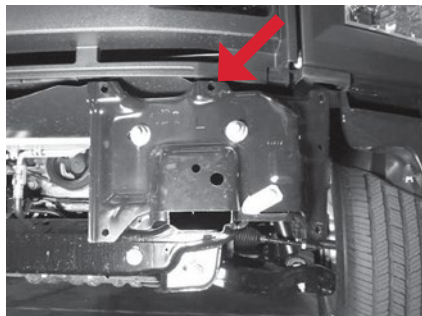


### Step 2 (2015-17 Models upper support bracket install)

From under and behind the bumper, locate the top of the driver side bumper bracket.

Locate the center bumper bolt attaching the top of the bracket to the back of the bumper. It maybe necessary to temporarily release the clips and move the rubber cover to access the bumper bolts.

Remove the hex bolt from the top-center of the bumper bracket.



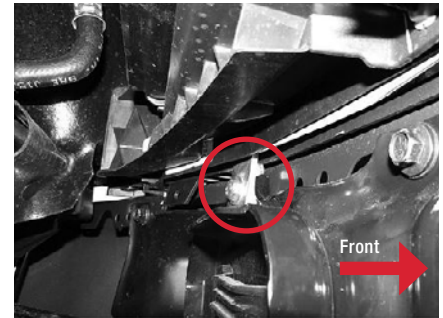
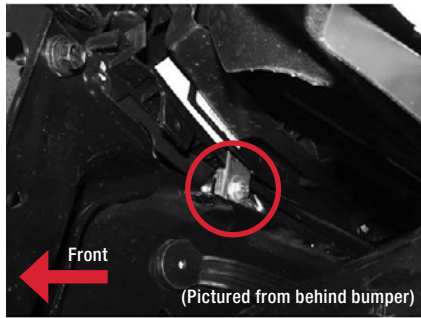
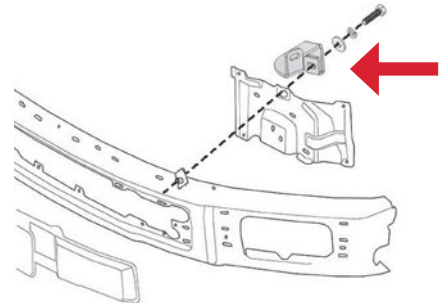
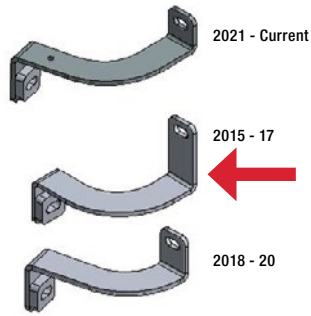
### Step 3 (2015-17 Models upper support bracket)

Select the driver-side upper bracket.

Insert the upper bracket into the space between the top of the bumper and the bottom of the grille.

Attach the bracket to the bumper bracket with the included M8 hex bolt, lock washer and flat washer. Snug the hardware, but do not fully tighten.

Repeat this process on the passenger side.



### Step 4

Remove the plastic fill panels from the center of the front bumper, disconnect any wire harness leading to the front bumper (ex: fog lights). From behind the bumper, remove the factory hex nuts securing the bottom of the bumper bracket to the frame bracket. Through the opening in the front of the bumper, remove the factory hex nuts and remove the bumper.

**IMPORTANT:** Assistance is required to hold bumper in place as hardware is removed.



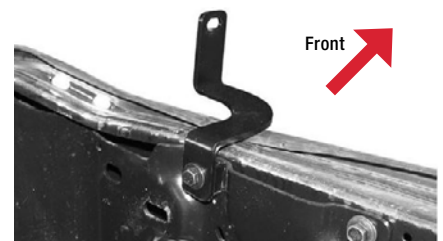
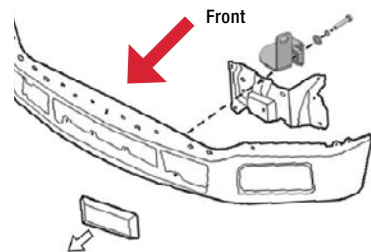
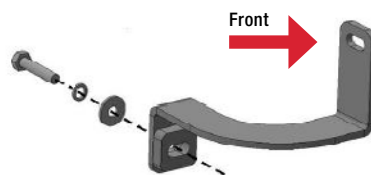
### Step 5

Reference the bracket diagram on page 1 to select the correct bracket for your vehicle's year. Remove the hex bolt from the top-center of the bumper bracket on the back of the bumper.

Secure the support bracket to the back of the bumper bracket with an M8 x 40mm hex bolt, M8 lock washer and M8 flat washer. With the bracket mounting plate straight up and down, fully tighten the hex bolt.

Repeat for the passenger-side upper bracket

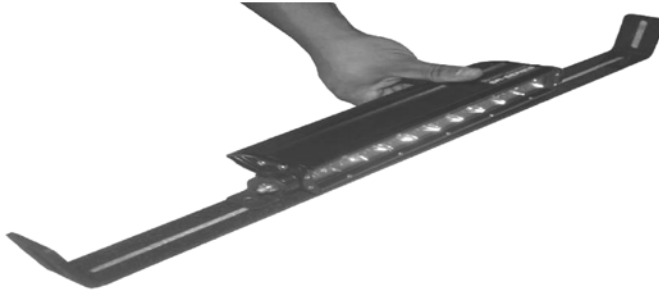
Once brackets are installed, reinstall the bumper.



### Step 6

Select an LED light (sold separately), mounting hardware and brackets. Attach the hardware to the support flange.

**Note:** LED manufactures may have different mounting styles or brackets. Once the mounting options are determined, attach it to the support flange.



### Step 7

With the LED light attached to the support flange, place the two M8 nut clips into the slotted holes on either side of the support flange.

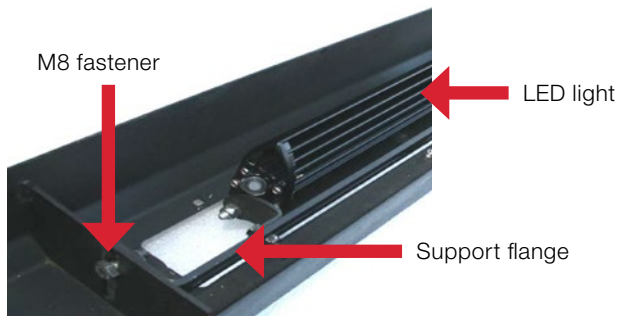


### Step 8

Place the grille guard face down and set the support flange into the center flange of the grille guard.

Attach each side of the support flange to the inner brackets on the center flange with two M8 hex bolts, two M8 flat washers and two M8 lock washers.

Snug the hardware, but do not fully tighten.

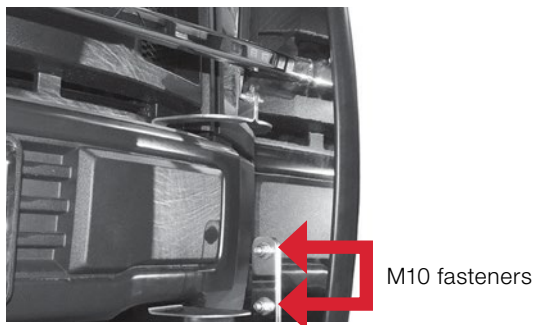


### Step 9

With assistance, position the grille guard on the outside of the frame brackets.

Attach the grille guard to the brackets with four M10 x 30mm hex bolts, eight M10 flat washers and four M10 nylock nuts.

Snug the hardware, but do not fully tighten.





## Step 10

Center the grille guard on the vehicle. Once properly adjusted, fully tighten the four M12 hex bolts attaching the frame brackets to the bottom of the frame and / or tow hook.

### For vehicles without tow hooks:

With the lower brackets secured to the frame, temporarily remove the grille guard. Hold the splash guard up to the base brackets and trace the trim locations. Use a sharp knife or cut wheel to remove the material, allowing the brackets to fit through the guard.

Reinstall the splash guard and remount the grille guard to the lower brackets.

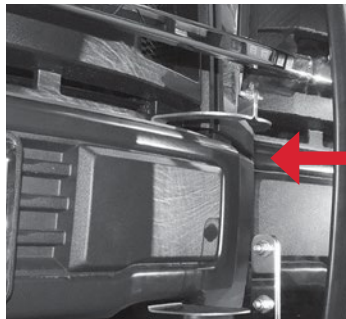
Do not cut through front or back edge of splash guard



## Step 11

Line up the driver-side upper bracket with the hole in the upright on the grille guard.

Attach the bracket to the grille guard with one M8 x 30mm hex bolt, two M8 flat washers and one M8 nylock nut.



M8 fasteners

## Step 12

Once the grille guard is aligned, tighten all hardware.

Remember to do periodic inspections to make sure that all hardware is secure and tight.

Congratulations on the installation of your new Aries Pro Series grille guard.



## Product Registration

CURT Group stands behind our products with industry leading warranties. You can help us continue to improve our product line and help us understand your needs by registering your purchase by visiting:

[warranty.curtgroup.com/surveys](http://warranty.curtgroup.com/surveys)

At CURT Group, customer is king. We value your feedback and we use that information to make improvements on our products. Please, take a minute and let us know how we are doing.