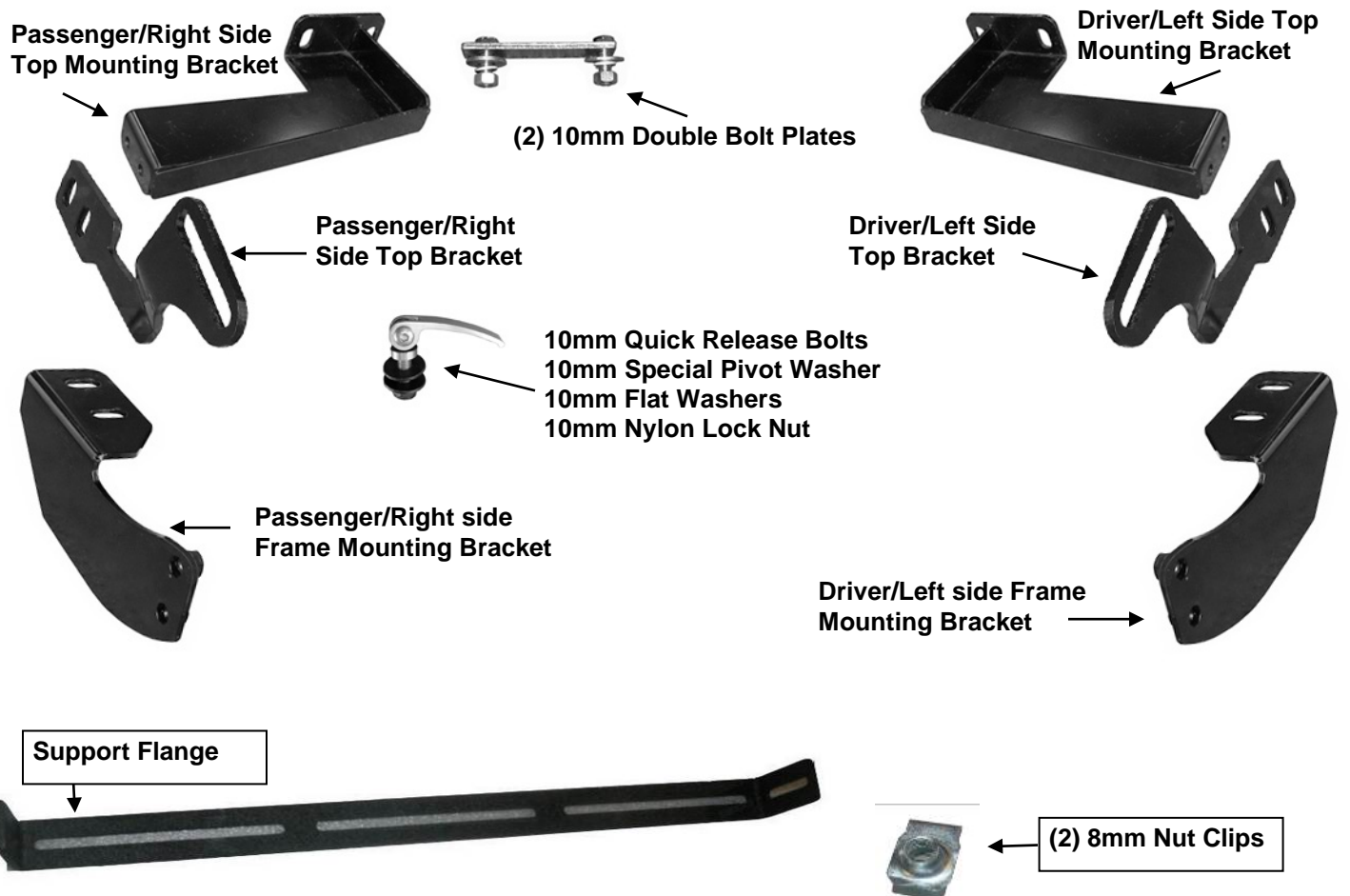


# INSTALLATION INSTRUCTIONS

2007-13 TUNDRA 2008-13 SEQUOIA  
 (Skid plate must be removed if equipped)  
**PART# P2062**

## PARTS LIST:

1	Grille Guard	4	12mm Lock Washers
1	Driver/Left Frame Mounting Bracket	4	12mm x 32mm OD x 3mm Flat Washers
1	Passenger/Right Frame Mounting Bracket	4	10-1.50mm x 35mm Hex Bolts
1	Driver/Left Top Mounting Bracket	4	10mm Lock Washers
1	Passenger/Right Top Mounting Bracket	12	10mm x 27mm OD x 3mm Flat Washers
1	Driver/Left Top Bracket	6	10mm Nylon Lock Nuts
1	Passenger/Right Top Bracket	2	600mm x 50mm x 1.0mm Adhesive Foam Strips
2	10mm Double Bolt Plates	1	Support Flange
2	10mm Quick Release Bolts	2	8mm Nut clips
2	10mm Special Pivot Washers	2	8mm hex bolts
4	12mm Plastic Washers	2	8mm Flat washers
4	10mm Plastic Washers	2	8mm Lock washers
4	12-1.75mm x 35mm Hex Bolts		



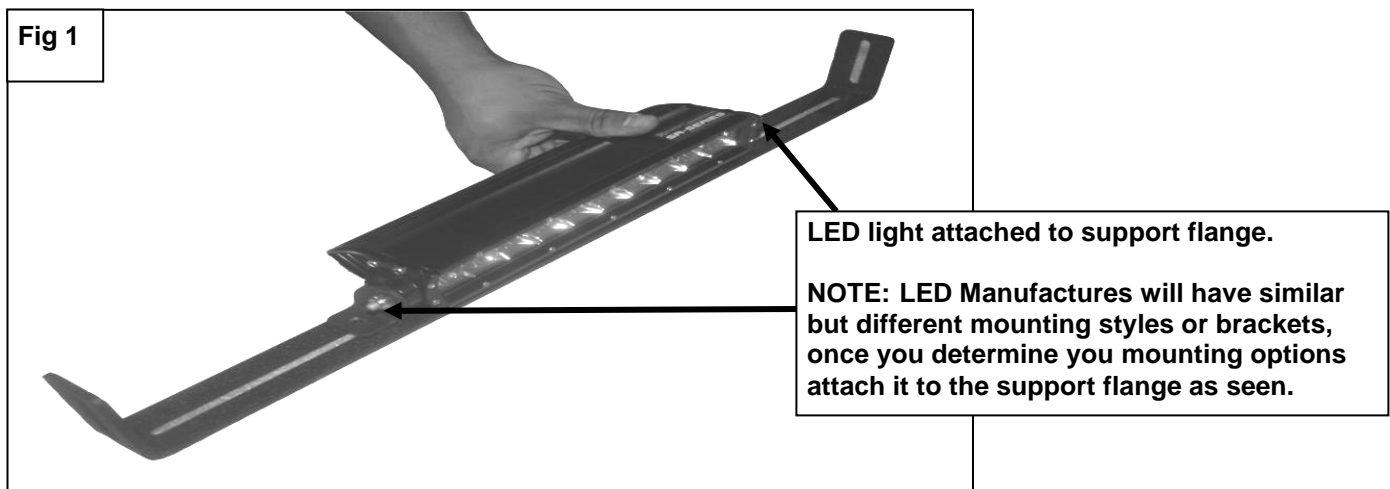
## PROCEDURE:

1. REMOVE CONTENTS FROM BOX. VERIFY ALL PARTS ARE PRESENT. READ INSTRUCTIONS CAREFULLY BEFORE STARTING INSTALLATION. NOT RECOMMENDED FOR VEHICLES WITH OPTIONAL "ACTIVE" LASER GUIDED CRUISE CONTROL SYSTEMS.

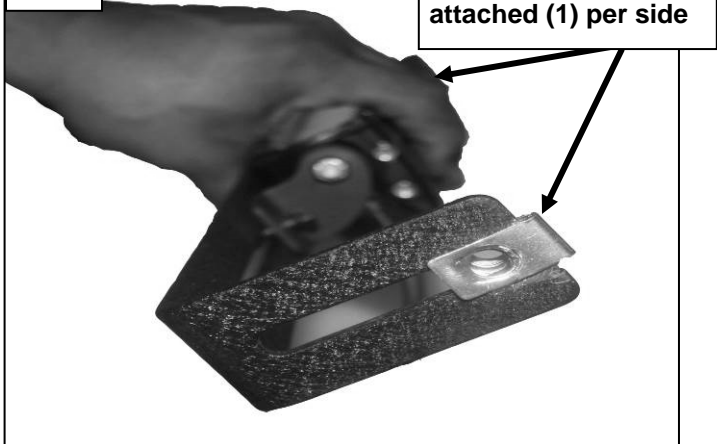
2. Start by Selecting your LED light (**Sold Separately**) mounting hardware & brackets, you will need to first attached the hardware to the support flange, (Example of LED light attached Fig 1) **NOTE: if you have your own LED light, LED Manufactures will have similar but different mounting styles or brackets, once you determine you mounting options attach it to the support flange as seen in (Fig1)**
3. With the LED light attached to the support flange select the (2) 8mm nut clips place each nut clip into the slotted holes on either side of the support flange, as seen in (**Fig 2**) with the support flange prepare you will need to lay the grill guard face down to install the support flange **NOTE:** (it is recommended to lay out some of the cardboard your grill guard came in or a blanket to protect the grill guard finish). place the grill guard face down with this done place the support flange with the LED attached into the Center flange attach each side of the support flange to the inner brackets inside the center flange of the grill guard with (2) 8mm hex bolts, (2) 8mm flat washers, & (2) 8mm lock washers as seen in (**Fig 3**) Snug but do not tighten at this time.
4. **WARNING! This Grille Guard is designed to tilt forward by releasing the Quick Release Bolts on the Top Brackets and loosening the upper bolt on the Mounting Bracket when the hood needs to be opened for service. Make sure that all hardware is fully tightened after closing the hood. Read Page 6, "Opening and Closing of Hood," before installing the Grille Guard.**
5. Starting from under the front of the vehicle, determine if the vehicle is equipped with small or large tow hooks. Remove the (2) factory tow hooks and set aside, (**Figs 4A & 4B**).
6. Select the driver/left Frame Mounting Bracket.  
**Vehicles with small tow hook:** Install the small tow hook over the Mounting Bracket using the factory tow hook hex bolts, (**Fig 4A**).  
**Vehicles with large tow hooks:** Bolt the driver/left side Frame Mounting Bracket to the bottom of the frame with the two factory bolts. **NOTE:** Large tow hook cannot be reinstalled, (**Fig 4B**).
7. Repeat the appropriate **Step 6** for the passenger side Frame Mounting Bracket installation.
8. Open the hood and locate the two factory holes facing forward on the driver side of the bottom radiator core support cross member. Insert (1) Double Bolt Plate in from the back of the cross member and out the front through the (2) holes, (**Fig 5**).
9. Select the driver side Top Mounting Bracket. Line up the (2) holes in the Top Mounting Bracket with the previously inserted Double Bolt Plate. Secure the Bracket to the Bolt Plate with (2) 10mm Flat Washers and (2) 10mm Nylon Lock Nuts, (**Figs 6 & 7**). Snug but do not tighten hardware at this time.
10. Carefully insert the driver/left Top Bracket through the opening in the bumper and attach it to the tab on the Top Mounting Bracket with (2) 10mm x 35mm Hex Bolts, (2) 10mm Lock Washers and (2) 10mm Flat Washers, (**Figs 8 & 9**). **NOTE:** Use the included Adhesive Backed Foam Tape to cover any part of the Top Bracket that may come in contact with the vehicle. **IMPORTANT:** To provide maximum clearance between the Grille Guard and the vehicle, gently pull the Top Bracket outward away from the vehicle as you tighten the (2) Hex Bolts, (**Fig 10**).
11. Repeat **Steps 8 - 10** for passenger/right side Top Bracket installation.
12. With assistance, place the Grille Guard face down on a clean surface in front of the vehicle. Position the mounting tabs on the Grille Guard up to the outside of the driver side Frame Mounting Bracket. Line up the lower hole in the Bracket with the lower hole in the Grille Guard. Insert (1) 12mm Plastic Washer between the Mounting Bracket and the Grille Guard. Line up the Grille Guard, Washer and Bracket and bolt together with the included (1) 12mm x 35mm Hex Bolt, (1) 12mm Lock Washer and (1) 12mm Flat Washer, (**Fig 11**).

13. Repeat **Step 10** to attach the passenger side mounting tab to the Bracket. Snug but do not tighten hardware at this time.
14. Use the (2) previously installed 12mm Hex Bolts to act as a hinge and carefully rotate the Grille Guard up to the vehicle. Line up the two remaining holes in the Mounting Brackets with the holes in the Grille Guard and repeat **Steps 12 & 13** for installation, (**Fig 11**). Snug the hardware but do not tighten at this time.
15. Next, move to the driver side Top Bracket installed in **Step 10**. Line up the long slot in the Top Bracket with the hole in the Grille Guard upright, (**Fig 13**). Insert (1) 10mm Plastic Washer between the Top Bracket and the Grille Guard. Line up the holes in the Grille Guard, Plastic Washer and the slot in the Top Bracket. Insert (1) 10mm Quick Release Bolt with (1) 10mm Special Pivot Washer, (**Fig 13**), through the Grille Guard upright first, the Plastic Washer and through the Top Bracket. Secure the Quick Release Bolt with (1) 10mm Plastic Washer, (to protect the finish on the Top Bracket), (1) 10mm Flat Washer and (1) 10mm Nylon Lock Nut, (**Figs 13 & 14**). Snug but do not tighten at this time.
16. Repeat **Step 15** to attach the passenger Top Bracket to the Grille Guard.
17. Release/loosen the levers on the Quick Release bolts, (**Fig 14**), and pull the Grille Guard away from the vehicle to the "open" position, (**Fig 15**). Center and level the Grille Guard and tighten all hardware including the Mounting Brackets and Bolt Plates.
18. Adjust the Quick Release Bolt clamping pressure by loosening or tightening the 10mm Nylon Lock Nut. See **Steps 23 – 28** for more information.
19. Slowly close the hood and check for clearance. Release both Quick Release bolts. Push the Grille Guard into the "closed" position. If needed, loosen the upper bolt on each Frame Mounting Bracket, (**Fig 16**). **WARNING!** Do not completely loosen bolts or damage to the truck or Grille Guard may occur.
20. Push the Grille Guard back towards the vehicle and tighten all hardware, (**Figs 17 & 18**).
21. Do periodic inspections to the installation to make sure that all hardware is secure and tight.
22. For the Led lights wiring please refer to the manufactures installation.

**To protect your investment**, wax this product after installing. Regular waxing is recommended to add a protective layer over the finish. Do not use any type of polish or wax that may contain abrasives that could damage the finish.

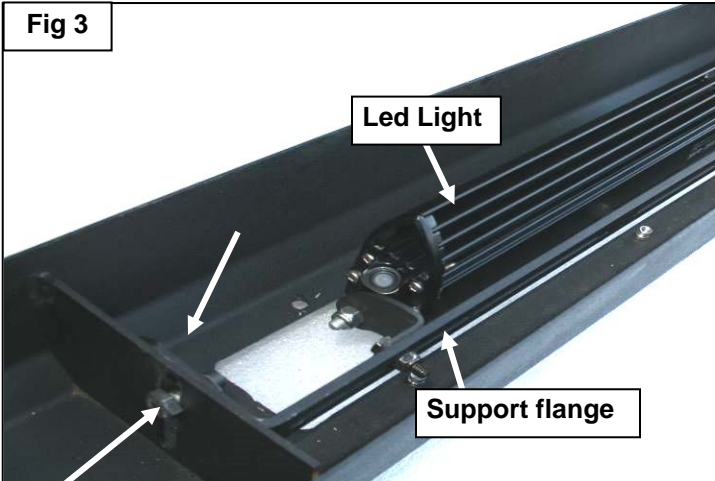


**Fig 2**



**8mm nut clip  
attached (1) per side**

**Fig 3**



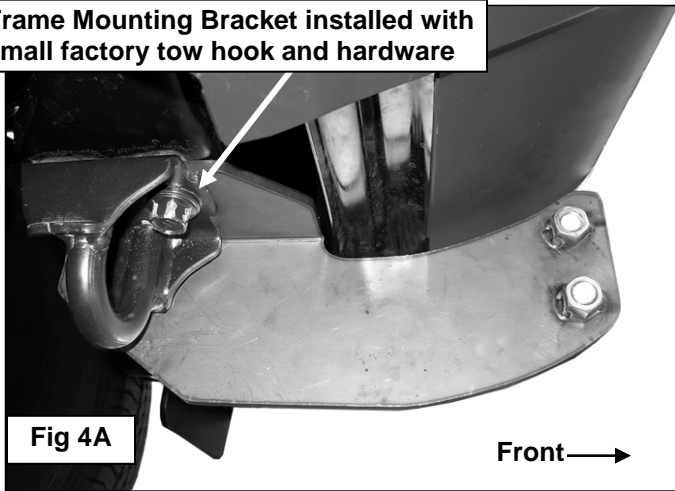
**Led Light**

**Support flange**

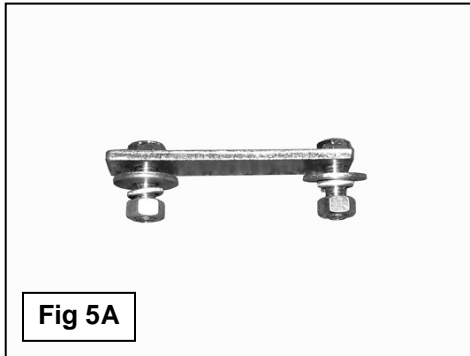
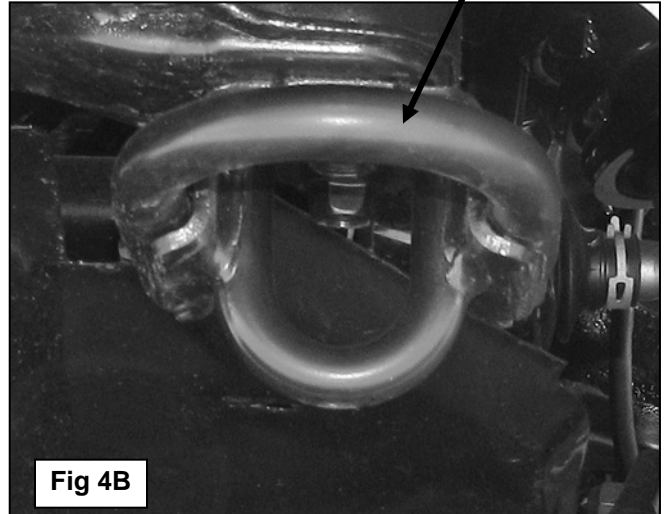
**Secure support flange into center flange with  
(1) 8mm Hex head bolt  
(1) 8mm Flat Washers  
(1) 8mm Lock washer  
Per side.**

**Driver/Left Side Installation Pictured**

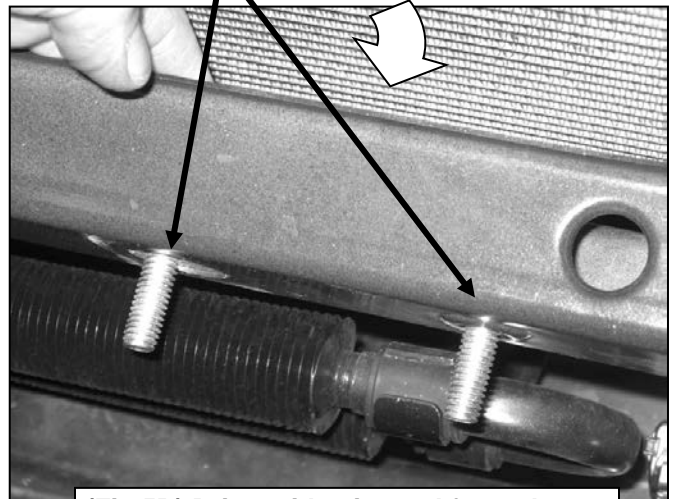
Frame Mounting Bracket installed with small factory tow hook and hardware



The heavy duty factory tow hooks cannot be reinstalled and will not clear the Frame Mounting Brackets

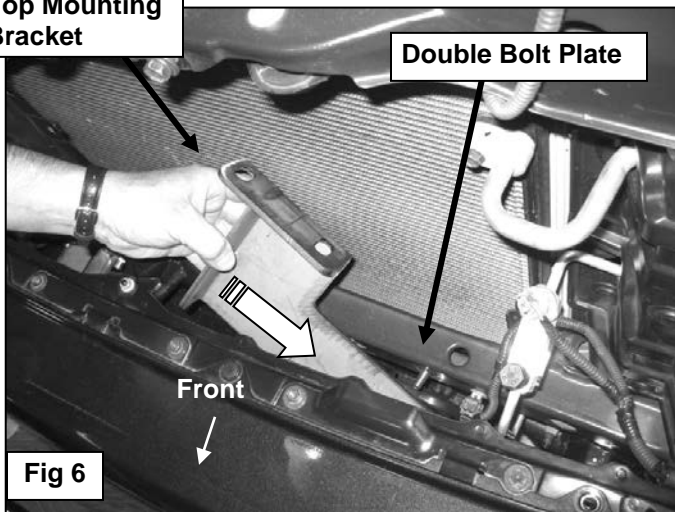


Insert Double Bolt Plate through the back of radiator core support cross member



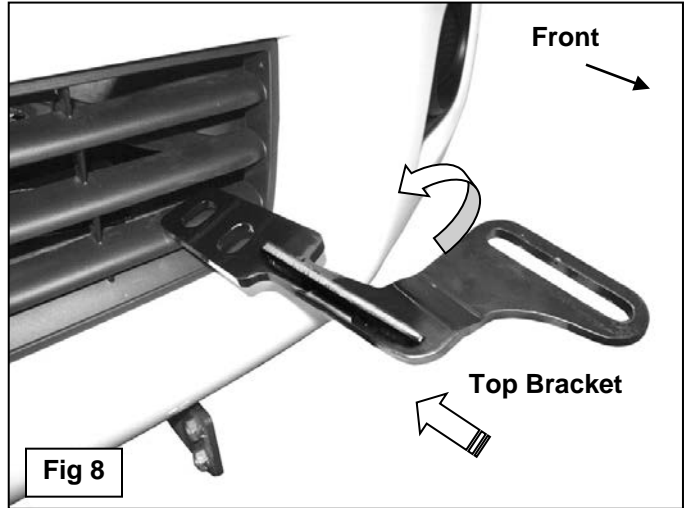
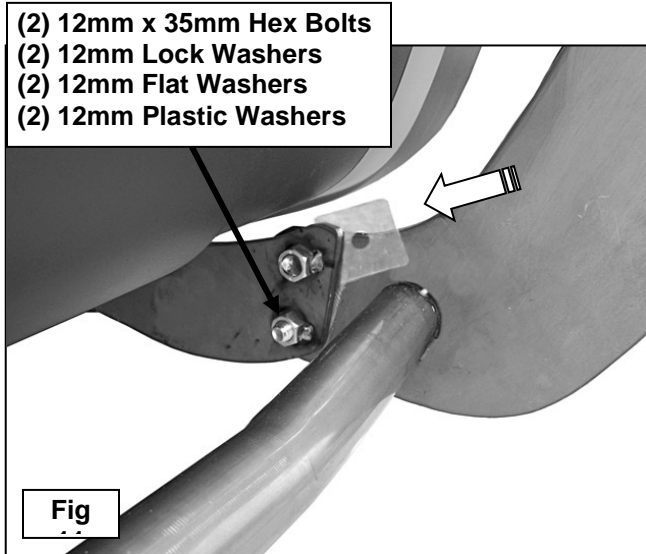
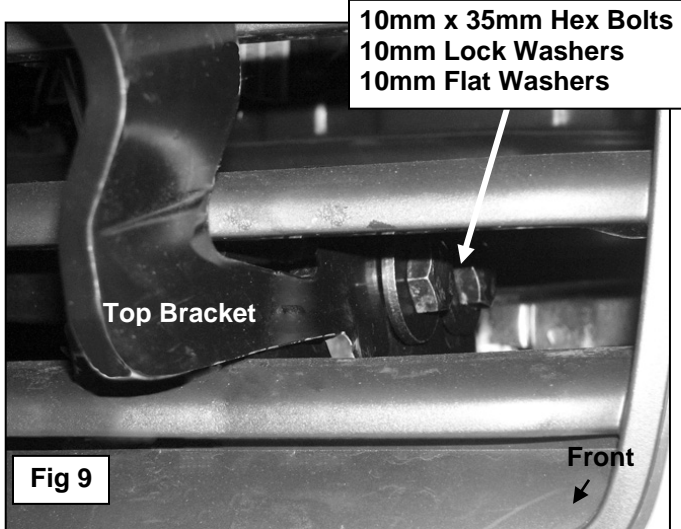
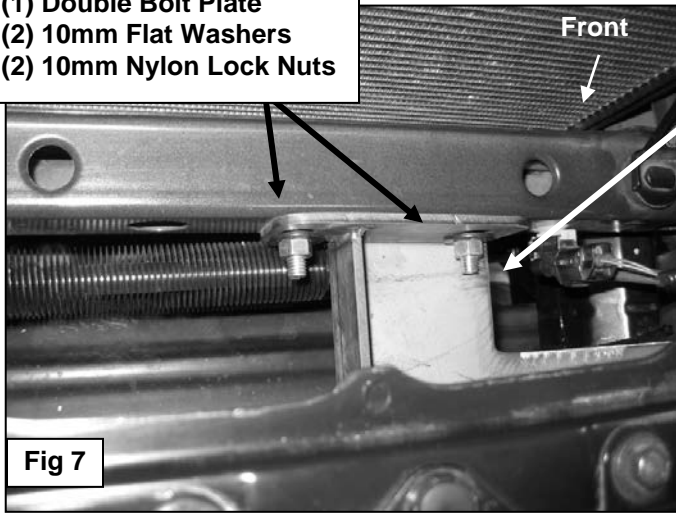
Top Mounting Bracket

Double Bolt Plate

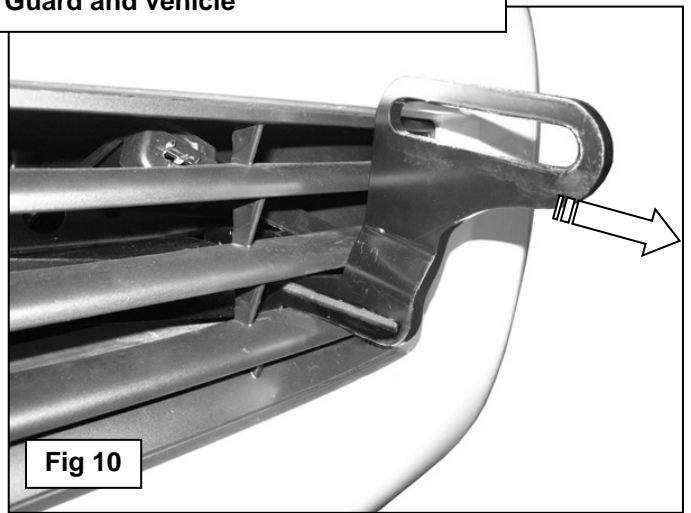


**Driver/Left Side Installation Pictured**

- (1) Double Bolt Plate
- (2) 10mm Flat Washers
- (2) 10mm Nylon Lock Nuts



Pull the Top Bracket forward as the hardware is tightened to provide maximum clearance between Grille Guard and vehicle



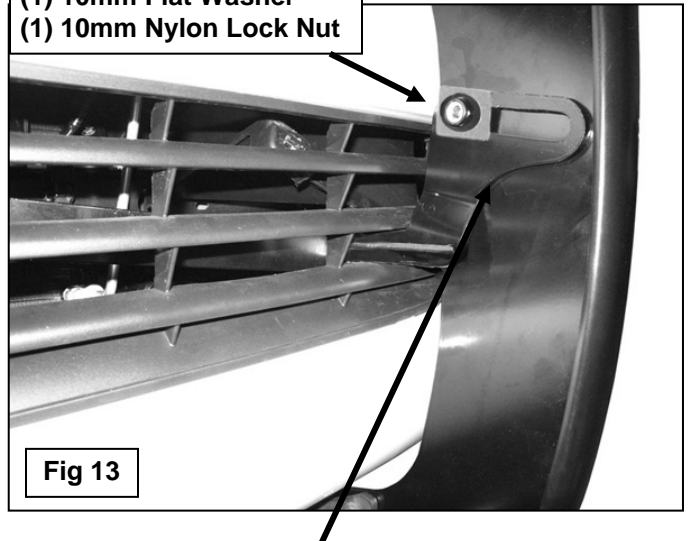
**07-On Sequoia Pictured**

Insert a Plastic Washer between the Grille Guard and the Frame Mounting Bracket on each 12mm Hex Bolt

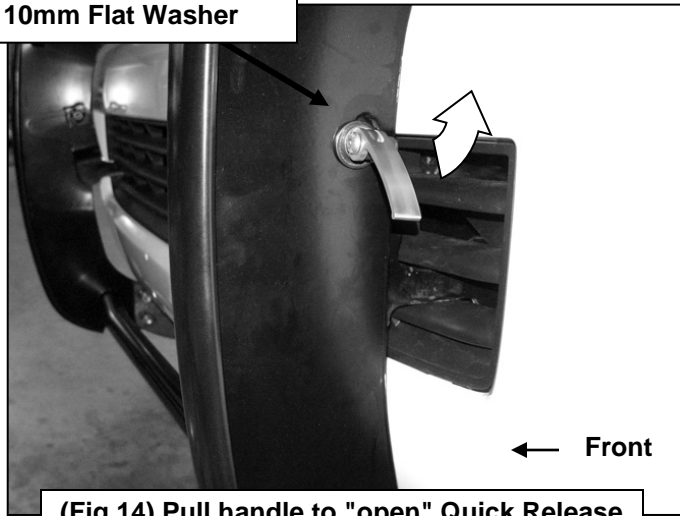
## Driver Side Installation Pictured



(2) 10mm Plastic Washers  
(1) 10mm Flat Washer  
(1) 10mm Nylon Lock Nut

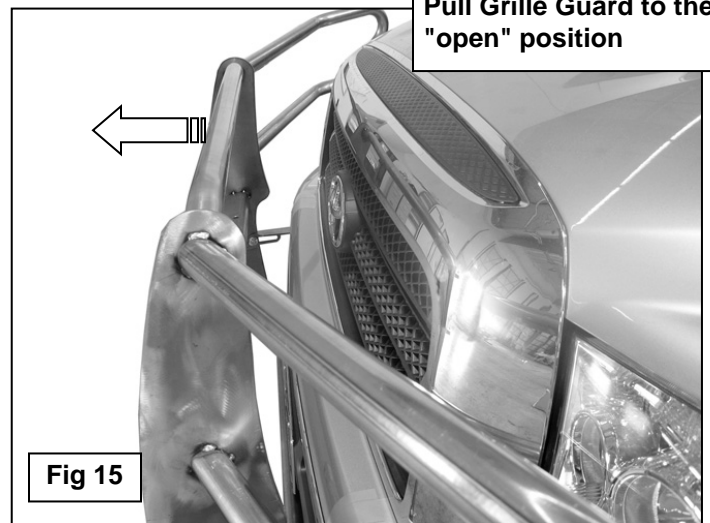


10mm Quick Release  
10mm Pivot Washer  
10mm Flat Washer

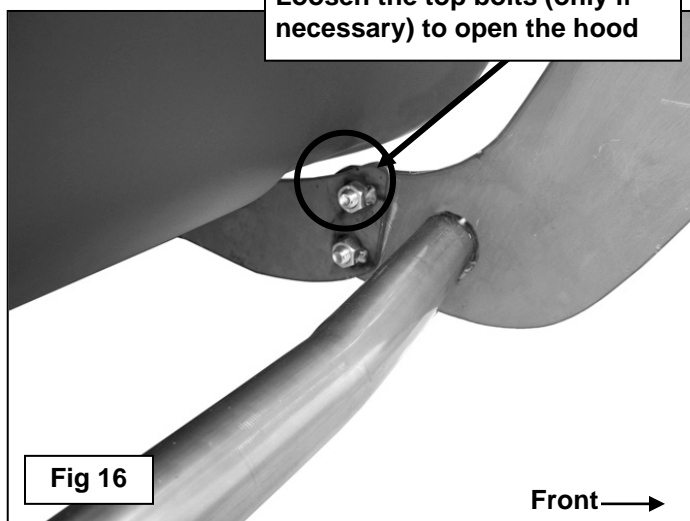


Insert a 10mm Plastic Washer between the Grille Guard and the Top Bracket and under the Flat Washer on each Quick Release Bolt. (2) Plastic Washers are required for each Quick Release

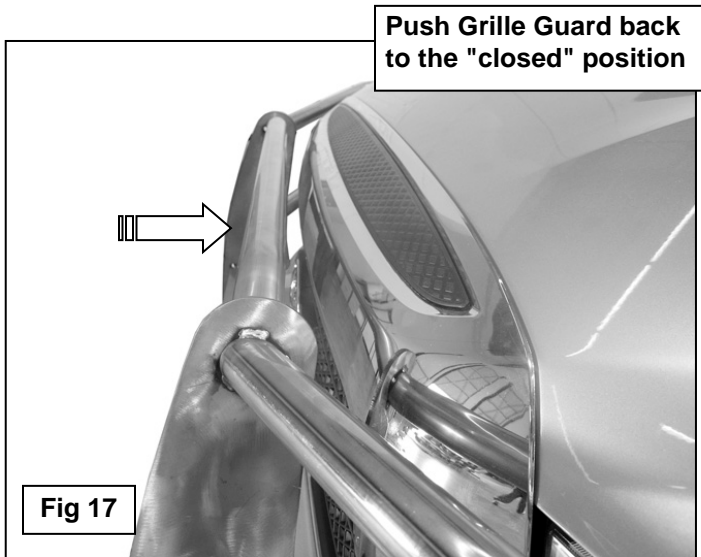
Pull Grille Guard to the "open" position



Loosen the top bolts (only if necessary) to open the hood



## Driver/Left Side Installation Pictured



### Opening and closing the hood

23. Lift the levers on the Quick Release bolt to release the clamping pressure, (Fig 11). Pull the Grille Guard out and away from the vehicle to the "open" position, (Fig 12). **NOTE:** If the Grille Guard does not pivot to "open" position, **slightly loosen the upper hex bolt on each Mounting Bracket, (Figure 13).** **WARNING!** Do not completely loosen bolts or damage to the truck may occur.
24. Carefully pull on the Grille Guard until it is fully extended away from the vehicle, (Fig 12).
25. Pull the hood release and slowly open the hood.
26. **IMPORTANT!** Before closing the hood, always make sure that the Grille Guard is in the full open position and away from the vehicle. Pull on the Grille Guard to verify that it is fully extended away from the vehicle and slowly close the hood, (Fig 12).
27. Once the hood is completely closed, push the Grille Guard back to its "closed," upright position and tighten all hardware on the Grille Guard, (Fig 14). Push down on the Quick Release lever to tighten, (Fig 15). No tools are required to close the Quick Release levers. It will require some effort to open and close by hand when properly adjusted. Loosen or tighten the 10mm Nylon Lock Nut on the Quick Release bolt to adjust the clamping pressure.
28. Do periodic inspections to the installation to make sure that all hardware is secure and tight.

