

INSTALLATION INSTRUCTION

ITEM NO:4502

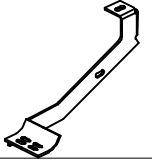
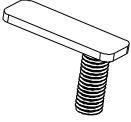
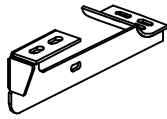
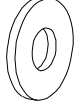
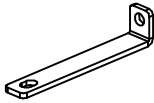

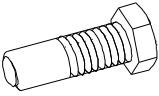

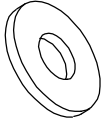



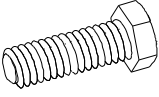

APPLICATION:Dodge Ram 1500-Quad Cab 98-01

ATTENTION

1. Please read this installation instruction before installing this part. When install it, please pay attention to protecting your vehicles.

2. When you use it, please check this parts at a fix time-lapse, such as one month or two month.

PARTS LIST

No.	Name	Photo	Qty	Remarks	No.	Name	Photo	Qty	Remarks
A	Front Mount Bracket		2	lateral symmetry	H	"T" Bolt		4	M10*35 (55*15*3.0)
B	Rear Mount Bracket		2	lateral symmetry	I	flat washer		12	M10
C	Support Bracket		4		J	Lock washer		8	M10
D	Hex Bolt		4	M12x 120	K	Hex Nut		8	M10
E	flat washer		4	M12	L	T" Bolt		4	
F	Lock washer		4	M12	M	flat washer		16	M6
G	Hex Bolt		4	M10x30	N	LOCK NUT		16	M6

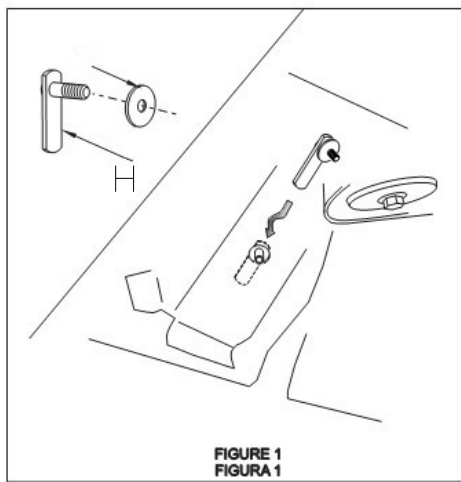


FIGURE 1
FIGURA 1

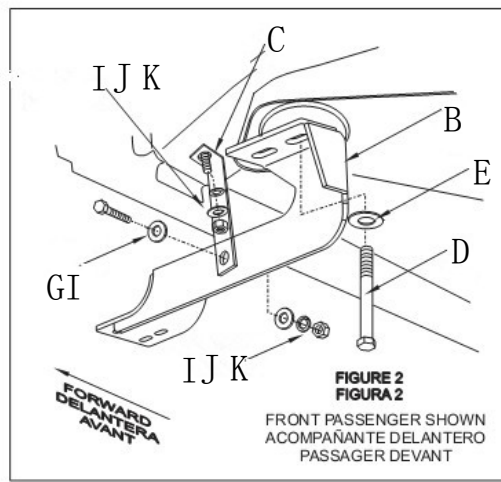


FIGURE 2
FIGURA 2

FRONT PASSENGER SHOWN
ACOMPAÑANTE DELANTERO
PASSAGER DEVANT

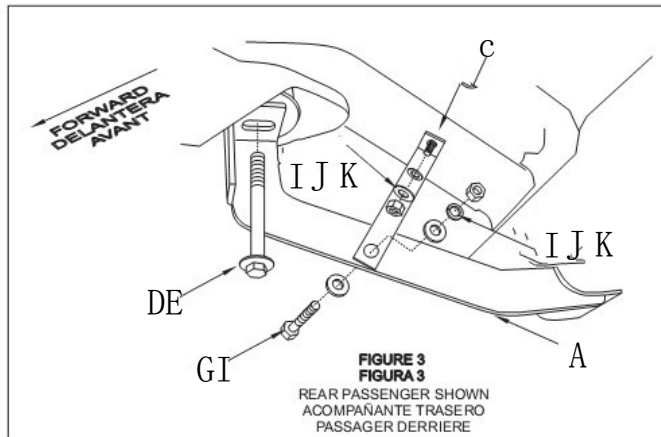


FIGURE 3
FIGURA 3

REAR PASSENGER SHOWN
ACOMPAÑANTE TRASERO
PASSAGER DERRIERE

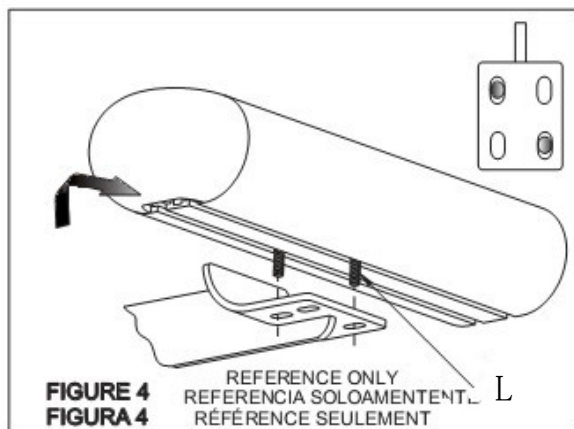


FIGURE 4
FIGURA 4

REFERENCE ONLY
REFERENCIA SOLOAMENTE
RÉFÉRENCE SEULEMENT

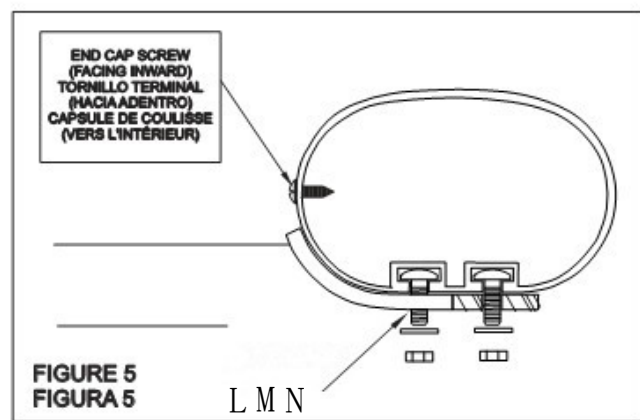


FIGURE 5
FIGURA 5

END CAP SCREW
(FACING INWARD)
TORNILLO TERMINAL
(HACIA ADETRON)
CAPSULE DE COULISSE
(VERS L'INTERIEUR)

INSTALLATION STEPS

STEP 1: Check the parts in the box carefully if match above parts list .

STEP 2: Pls prepare the tools for installation, follow as: 12-14wrench, 17-19wrench.

STEP 3: Put the Front mount bracket A and Rear mount bracket B into, Support Bracket C the girder of the car, and tighten it with D E F and G H I J K .

STEP 4: Install the Side Step on the mount bracket A and the mount bracket B, with L M N.

STEP 5: Test and make sure that the Side Step is steadily fixed.

STEP 6: Installation is finished.