



---

## **INSTALLATION INSTRUCTIONS**

GRILL/ BRUSH GAURD PART #3045/ 3045-2  
1999-2003 FORD F250/F350 SUPERDUTY 2/4WD  
2000-2002 FORD EXCURSION 2/4WD

### **PARTS LIST**

- |                                  |                        |
|----------------------------------|------------------------|
| (1) FRONT BAR                    | (12) 1/2" FLAT WASHERS |
| (2) FRAME MOUNT BRACKETS         | (6) 1/2" HEX LOCK NUTS |
| (6) 1/2" x 1 1/4" HEX HEAD BOLTS |                        |

### **PROCEDURE**

1. Remove (2) factory bolts from each side of the front of vehicle. Attach passenger-side Frame Mount Bracket to vehicles front bumper and secure with the factory bolts that were just removed. Hand tighten.  
**Note:** You must install one bracket at a time to keep bumper from dropping too low.
2. Repeat for driver-side Frame Mount Bracket.
3. Line up the 3 holes on the lower portion of the Front Bar with the 3 holes on the inside of each of the Frame Mount Brackets and attach using (3) 1/2" x 1 1/4" hex bolts, (6) 1/2" flat washers, and (3) 1/2" hex lock nuts for each side. Hand tighten.
4. Align the left and right side of the Front Bar to the vehicle bumper, and when satisfied that the Bar is centered, tighten the (6) bolts supporting the Front Bar. The (4) factory Frame Mount Bracket bolts may now be tightened to complete installation.

***FINISH PROTECTION-*** ARIES PRODUCTS HAVE A HIGH FINISH THAT MUST BE MAINTAINED SUCH AS ANY OTHER HIGH FINISH PRODUCT ON THE VEHICLE. PROTECT THE FINISH WITH A NON-ABRASIVE AUTOMOTIVE WAX. THE USE OF SOAP, POLISH, OR WAX THAT CONTAINS ABRASIVES IS DETRIMENTAL, AS THE COMPOUNDS SCRATCH THE FINISH AND OPEN IT TO CORROSION.

**DISCLAIMER-** BUYER ASSUMES ALL RISK AND LIABILITY WHATSOEVER FROM THE INSTALLATION AND USE OF ARIES PRODUCTS. ARIES PRODUCTS ARE SOLD AS DECORATIVE ACCESSORIES AND SHOULD NOT BE RELIED UPON AS PROTECTION FOR THE VEHICLE OR OCCUPANTS IN THE EVENT OF A COLLISION OR ROLL OVER. ARIES AUTOMOTIVE ASSUMES NO LIABILITY FOR INJURY, LOSS, INCIDENTAL OR CONSEQUENTIAL DAMAGES IN THE EVENT OF A COLLISION OR ROLLOVER.

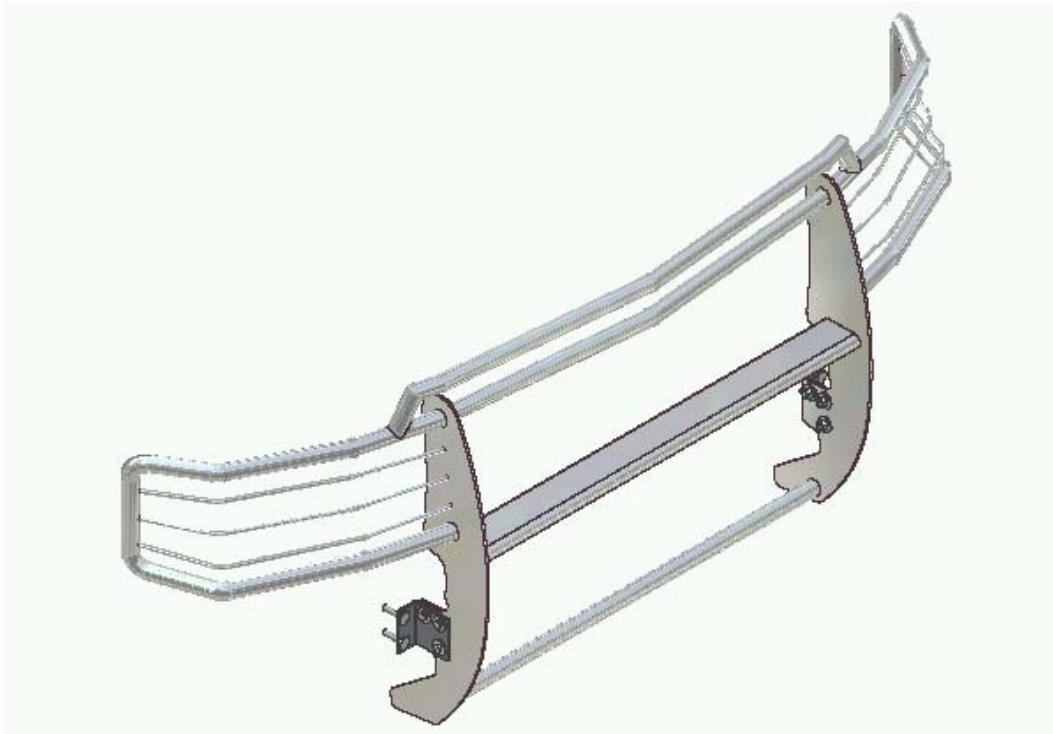


Figure 1.1 – Fully Assembled View

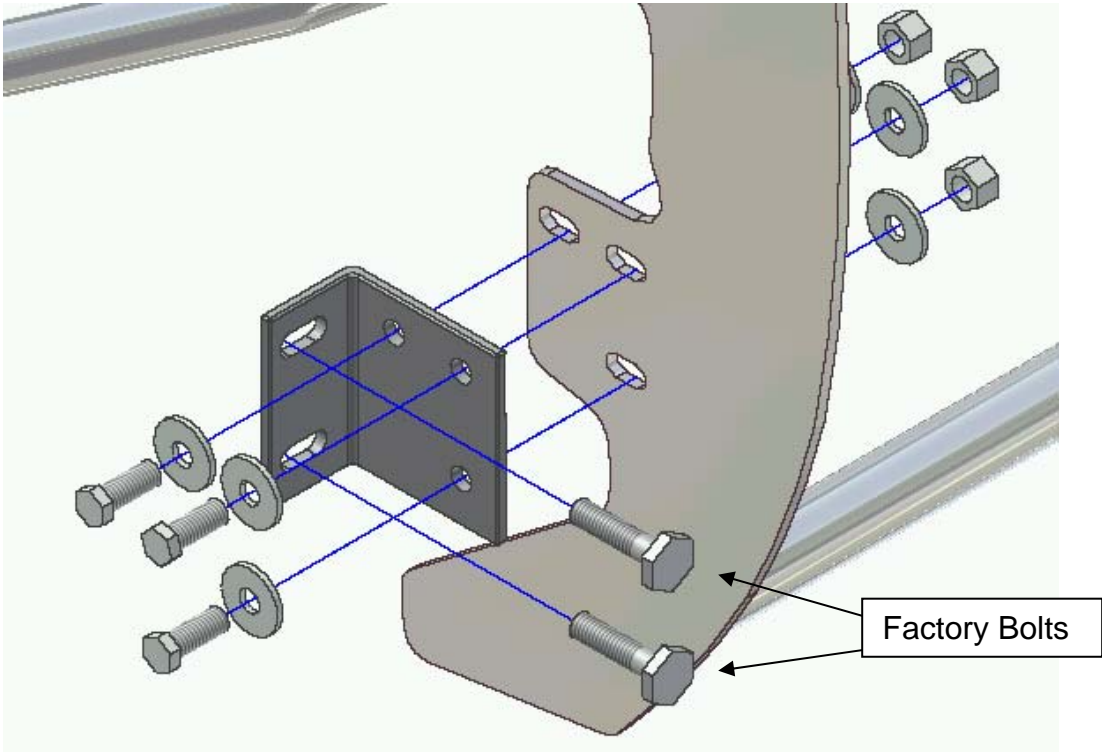


Figure 1.2 – Passenger-Side Mount Bracket