

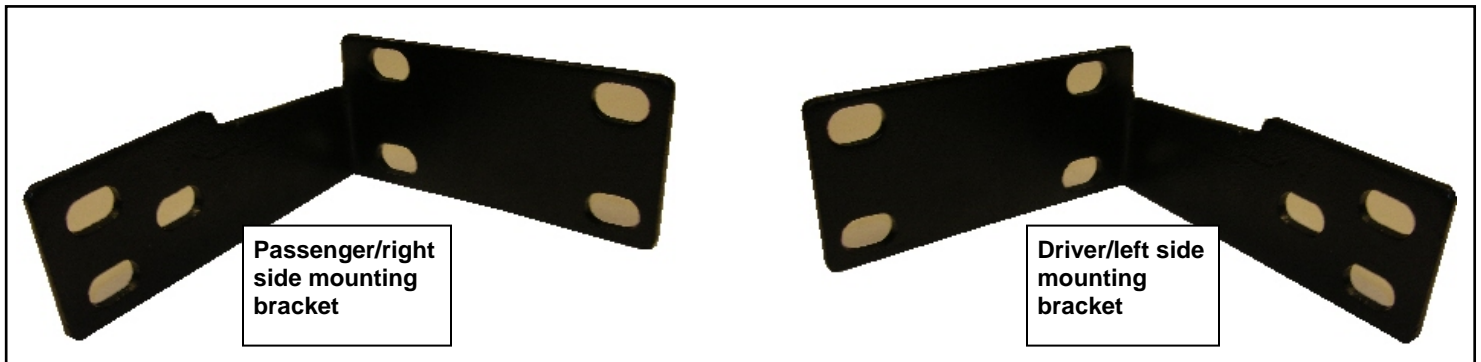
INSTALLATION INSTRUCTIONS

2010-14 Dodge Ram Crew / Mega 2500/3500 2/4WD

NOTE: (tow hooks will not be re-attached)
PART # P5056

PARTS LIST:

Qty	Description	Qty	Description
1	Grill Guard Bar	6	12mm x 30mm Hex Bolt
1	Driver/Left Mounting Bracket	12	12mm Flat washer
1	Passenger/Right Mounting Bracket	6	12mm Lock Washer
8	10mm x 60mm Hex Bolt	6	12mm Nut
16	10mm Flat Washers	2	8mm Nut clips
8	10mm Lock Washers	2	8mm hex bolts
1	Support flange	2	8mm Flat washers
8	10mm Nut	2	8mm Lock washers

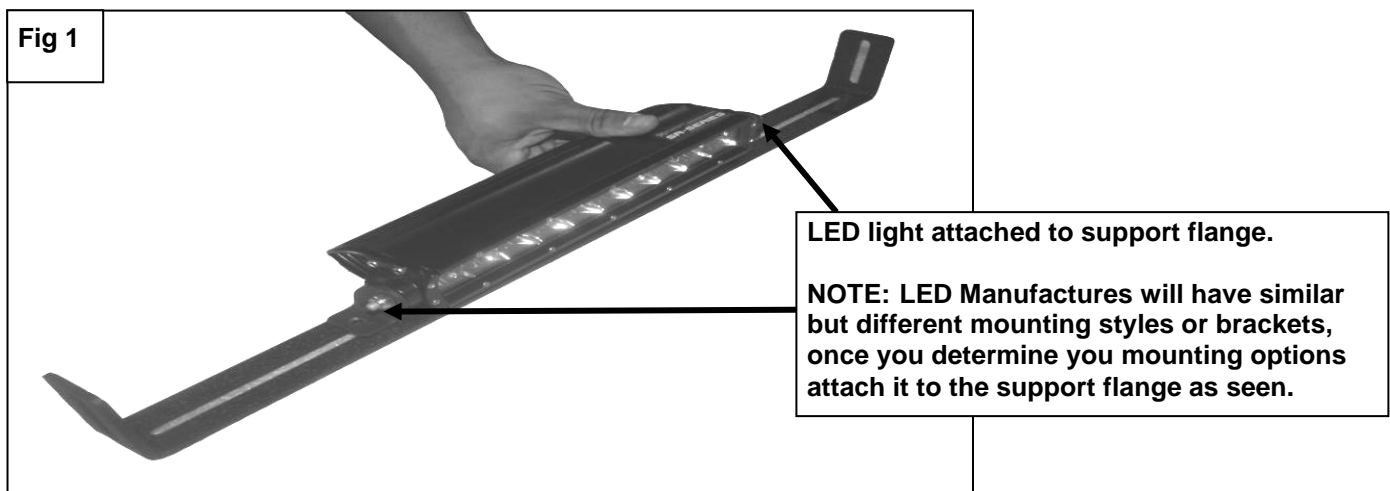


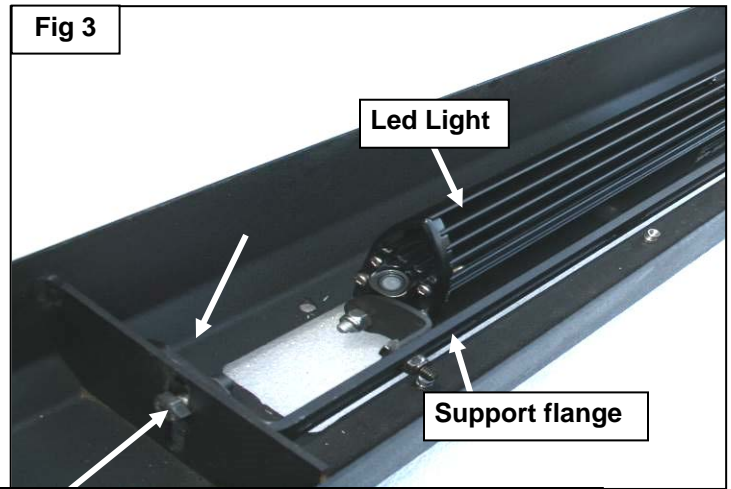
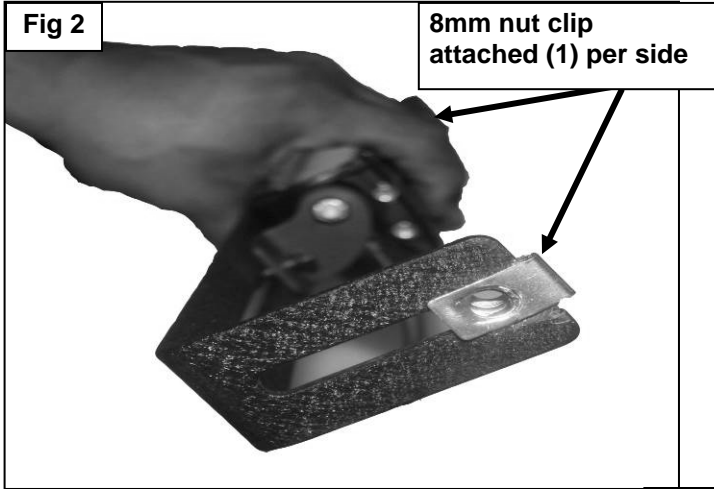
PROCEDURE:

- 1. REMOVE CONTENTS FROM BOX. VERIFY ALL PARTS ARE PRESENT. READ INSTRUCTIONS CAREFULLY BEFORE STARTING INSTALLATION.**
- 2. Start by Selecting your LED light (Sold Separately) mounting hardware & brackets, you will need to first attached the hardware to the support flange, (Example of LED light attached Fig 1) NOTE: if you have your own LED light, LED Manufactures will have similar but different mounting styles or brackets, once you determine you mounting options attach it to the support flange as seen in (Fig1)**

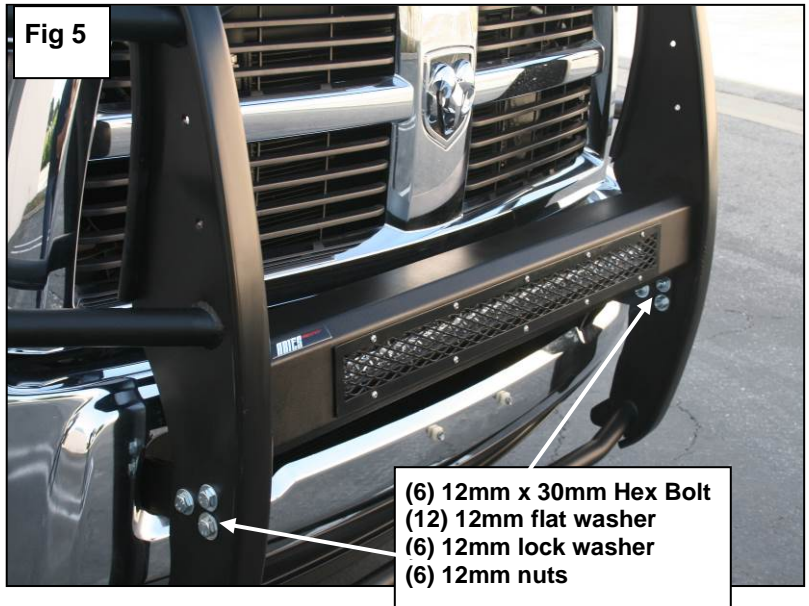
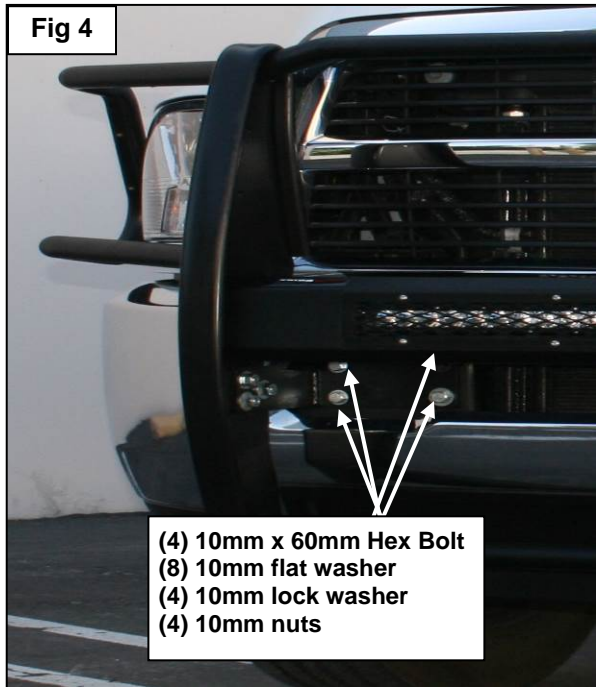
3. With the LED light attached to the support flange select the (2) 8mm nut clips place each nut clip into the slotted holes on either side of the support flange, as seen in **(Fig 2)** with the support flange prepare you will need to lay the grill guard face down to install the support flange **NOTE:** (it is recommended to lay out some of the cardboard your grill guard came in or a blanket to protect the grill guard finish). place the grill guard face down with this done place the support flange with the LED attached into the Center flange attach each side of the support flange to the inner brackets inside the center flange of the grill guard with (2) 8mm hex bolts, (2) 8mm flat washers, & (2) 8mm lock washers as seen in **(Fig 3)** Snug but do not tighten at this time.
4. Next proceed with your install by removing the factory tow hook of the vehicle Passenger side (Note: tow hook will not be reattached), attach the mounting bracket in place of the tow hook and secure the mount bracket with the supplied (4) 10mm x 60mm hex bolt, (8) 10mm flat washers (4) 10mm lock washers (4) 10mm nut **(Fig 4)** shows mount bracket attached. Snug but do not tighten hardware at this time. Repeat this step for the driver/Left side installation.
5. With help begin to install Grille Guard, move the Passenger/Right side and Driver/Left side Mounting Brackets in as far as possible, and (loosen hardware slightly if necessary). Position the Grille Guard up to the Outer side of the Passenger/Right side Mounting Bracket and line up the mounting holes in the Mounting Bracket with the holes in the Grille Guard, bolt together with the included (3) 12mm x 30mm Hex bolts (6) 12mm flat Washer, (3) 12mm lock washers and (3) 12mm Hex Nut, Repeat this step for the Driver/left side. **(Fig 5)** shows grill guard attached to mount brackets, Snug but do not tighten hardware at this time.
6. Adjust the Grille Guard as required for alignment. Tighten all mounting hardware, your install of the grill guard is now completed.
7. **For the Led lights wiring please refer to the manufactures installation.**
8. Do periodic inspections to the installation to make sure all hardware is secure and tight.

To protect your investment, wax this product after installing. Regular waxing is recommended to add a protective layer over the finish. Do not use any type of polish or wax that may contain abrasives that could damage the finish.





Secure support flange into center flange with
 (1) 8mm Hex head bolt
 (1) 8mm Flat Washers
 (1) 8mm Lock washer
 Per side.



Parts List

1	LED light bar, 10"
1	Mounting bracket, left
1	Mounting bracket, right
1	Wiring harness
2	Security screw, M6 - 1.0 x 25mm
2	Rubber spacer, M6
2	Flat washer, M6
2	Hex head cap screw, M8 - 1.25 x 18mm
2	Flat washer, M8
2	Nylock nut, M8 -1.25mm
1	Security screw L-wrench
1	15-amp fuse, pre-installed

Step 1

Mount the LED light in the desired location with a rubber spacer between the mounting surface and each bracket.

Note: If this light bar is being used with a 24V system, the relay will need to be replaced with a 24V unit.

Disconnect the supplied switch from the wiring harness and install in the desired location.

Step 2

Once the LED light bar and switch are installed, route the wiring harness to the light. Insert the male plug on the wiring harness into the female socket on the LED light. Reconnect the blue, red and black spade connectors to the switch (see the wiring diagram).

Step 3

Connect the red fused wire with the ring terminal to the positive (+) battery post. Connect the black wire ring terminal to the negative (-) battery post or other suitable vehicle grounding point.

Step 4

Mount the provided relay to the vehicle and secure all wires with zip ties away from moving parts to avoid damage. Test the light to ensure proper function.

Level of Difficulty

Easy

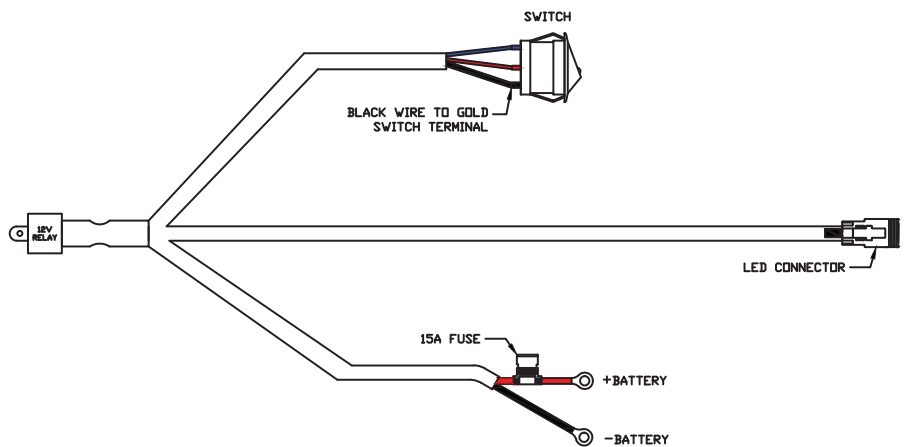


Scan for helpful install tips

Product Image



Wiring Diagram



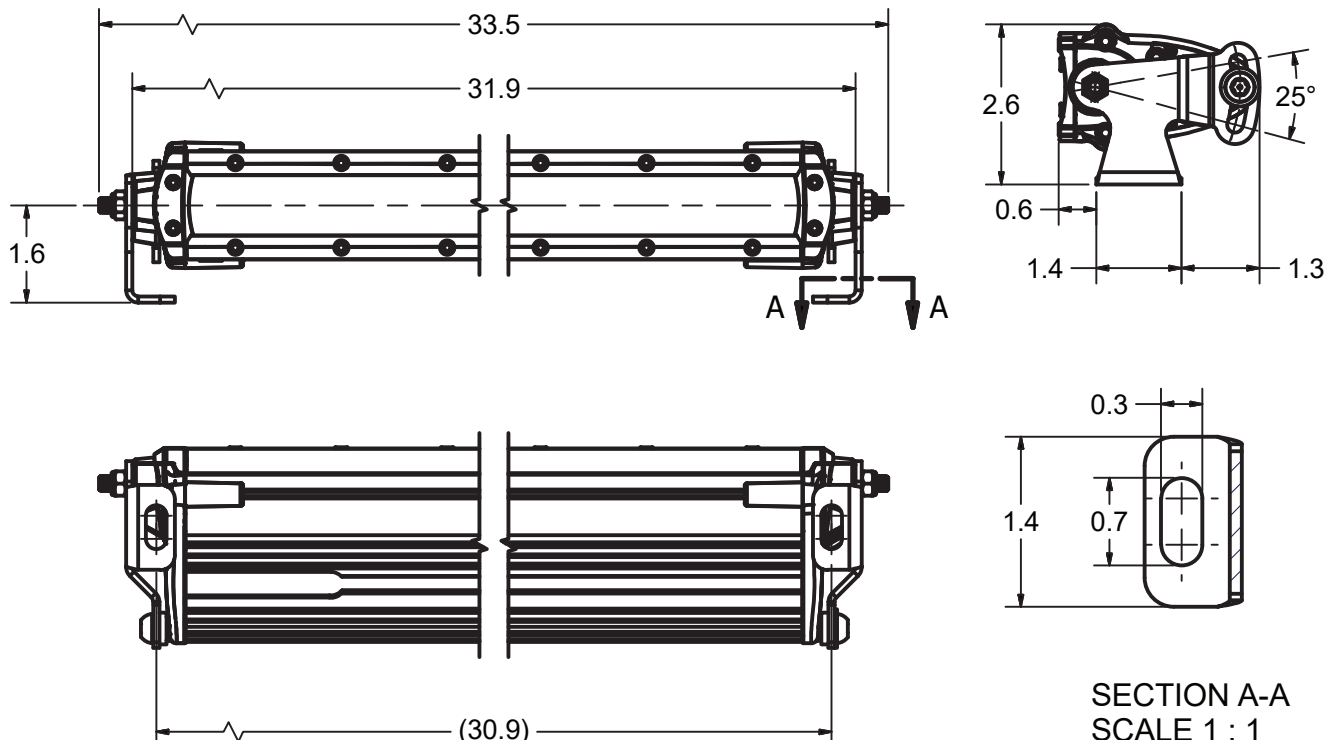
Notes and Maintenance

Before you begin installation, read all instructions thoroughly.

Periodic inspection of all wires and connections should be performed to ensure there is no visible damage or loose connections.

WARNING: Improper electrical installation may damage electronic components resulting in personal injury, property or equipment damage. Damaged caused by incorrect installation is not covered by warranty. Installation should only be performed by qualified personnel with a solid understanding of electrical systems.

Basic Dimensions



Mounting Illustration

