



# INSTALLATION MANUAL

## Parts List

1	Bull bar
2	Driver / left mounting bracket
2	Passenger / right mounting bracket
4	Hex bolt, M8
4	Flat washer, M8
4	Nylock nut, M8
4	Hex bolt, M10
8	Flat washer, M10
4	Nylock nut, M10
4	Bolt plate, M12
4	Flat washer, M12
4	Nylock nut, M12
1*	LED wiring harness*

\* Wiring harness only included with LED equipped models

## Tools Required

Ratchet	Extension
Level	Wrench, 18mm
Socket, 13mm	Socket, 16mm
Socket, 17mm	Socket, 18mm
Socket, 19mm	

## Torque Specifications

		METRIC
	M6 bolt	3 ft.-lbs.
	M8 bolt	7 ft.-lbs.
	M10 bolt	16 ft.-lbs.
	M12 bolt	28 ft.-lbs.
		SAE
	1/4" bolt	3 ft.-lbs.
	5/16" bolt	7 ft.-lbs.
	3/8" bolt	16 ft.-lbs.
	7/16" bolt	20 ft.-lbs.
	1/2" bolt	28 ft.-lbs.

## Level of Difficulty

Easy

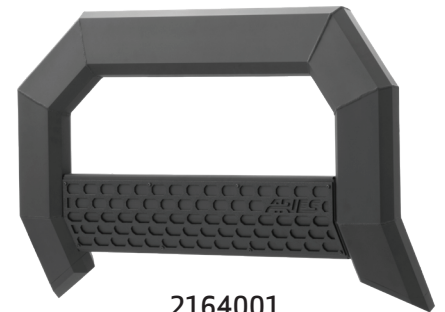


Scan for helpful install tips

## Product Image



2154001



2164001



2154101



2164101

## Notes and Maintenance

Before you begin installation, read all instructions thoroughly.

Proper tools will improve the quality of installation and reduce the time required.

For chrome powder coat, polish may be used to clear small scratches and scuffs on the finish. Mild soap may be used also to clean the product.

For black finishes, mild soap may be used to clean the product.

Refer to the table to the left when securing hardware during the installation process to help prevent damage to the product or vehicle.

### Step 1A - Vehicles without tow hooks

For vehicles with tow hooks, skip to Step 2.

Locate the two mounting points on the front end of the vehicle. Locate the passenger-side mounting point.



### Step 1B - Vehicles without tow hooks

Place the passenger-side mounting bracket up to the frame of the vehicle.

Insert a M12 bolt plate into each of the two mounting holes.

Secure the passenger-side mounting bracket to the vehicle using a M12 flat washer and nylock nut on each of the mounting points.

Repeat to install the driver-side mounting bracket.



### Step 2 - Vehicles with tow hooks

Remove the driver-side tow hook. Keep the hardware to reuse later.

Place the driver-side mounting bracket and the previously removed tow hook up to the vehicle and secure the bracket and tow hook using the previously removed hardware.

Repeat to install the passenger-side mounting bracket.



### Step 3

To attach the bull bar mounting brackets, lay the bull bar on a flat surface. Insert two M8 hex bolts into the inner rail slot.



#### Step 4

Place the driver-side bracket over the bolts and secure the bracket to the bull bar using two M8 flat washers and M8 nylock nuts.

Snug the hardware, but do not fully tighten.

Repeat this step for the passenger-side bracket.



#### Step 5

With help, lift the bull bar into place and align the mounting tabs on the outside of the mounting brackets.



#### Step 6

Insert a M10 hex bolt with flat washer on the outside of the bracket and a M10 flat washer and nylock nut on the inside.

Snug the hardware, but do not fully tighten.

Repeat this process for all mounting locations.

Level and adjust the bull bar into the desired position and tighten all hardware.

Tighten all hardware to the recommended torque specifications listed in the table on the first page.

If your bull bar is not equipped with lights skip to step 9.

If your bull bar is equipped with lights complete steps 7 and 8.

**Note:** If the LED lights are being used with a 24V system, the 12V relay will need to be replaced with a 24V unit.





### Step 7 - For Models with LED Lights Included

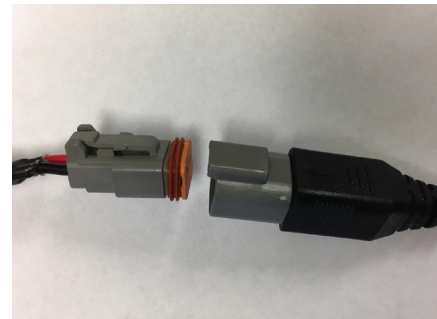
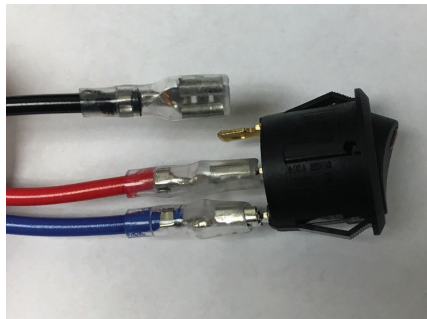
Disconnect the supplied switch from the wire harness and install in desired location.

With the switch installed, route the wire harness to the LED lights and the switch.

Reconnect the blue, red and black spade connectors to the switch as shown.

**Note:** The black wire connects to the gold switch terminal.

Plug the male connector on the wire harness into the female connector attached to the LED lights.



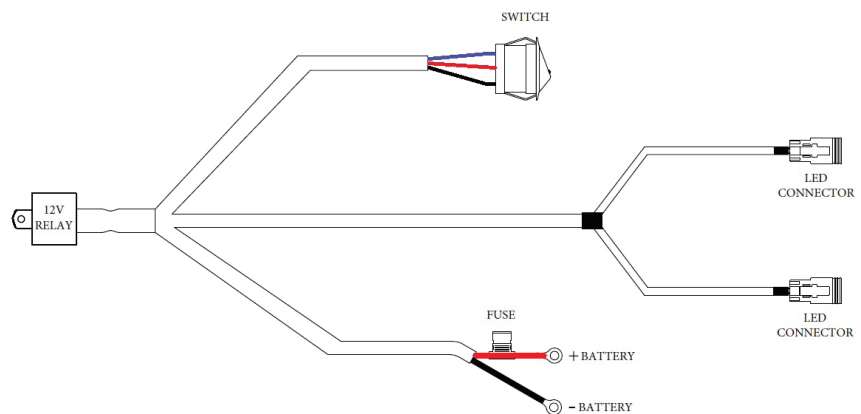
### Step 8 - For Models with LED Lights Included

Connect the red fused wire with the ring terminal to the positive battery post.

Connect the black wire ring terminal to the negative battery post or other suitable vehicle grounding point.

Mount the supplied relay to the vehicle and secure all wires with zip ties away from moving parts to avoid damage.

Test the lights to ensure proper function.



### Step 9

Congratulations on the installation of your new ARIES AdvantEDGE™ bull bar.

With the bull bar installed, periodic inspections should be performed to ensure all mounting hardware remains tight.

To protect your investment, see the 'Notes and Maintenance' section on the first page of this instruction manual.

