

INSTALLATION MANUAL

FRONT

Level of Difficulty

Moderate

All hardware listed below will be provided with the bumpers center section. Additional hardware will be supplied depending on the configuration purchased. See individual component installation sections for parts lists.

Center Section Parts List

1	TrailChaser™ center section
6	Button head bolt, M4
6	Nylock nut, M4
4	Flat washer, M4
2	Hex bolt, M6 x 20mm
2	Flat washer, M6
3	Nylock nut, M6
8	Hex bolt, M12 x 40mm
16	Flat washer, M12 x 24mm
8	Lock washer, M12
8	Nut, M12
1	Allen wrench, 3mm

Tools Required

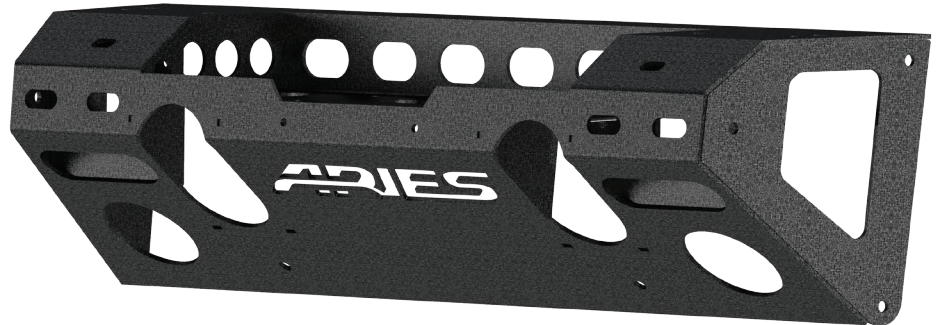
Ratchet	Phillips screwdriver
Socket extension	Flathead screwdriver
Socket set	Allen wrench set
Cut-off tool	Box wrench set
Level	

Torque Specifications

Metric	M6 bolt	7 ft.-lbs.
	M8 bolt	16 ft.-lbs.
	M10 bolt	33 ft.-lbs.
	M12 bolt	58 ft.-lbs.

Use above torque setting unless otherwise noted

Product Photo (center section only)



See pages 2 and 3 of this manual for configuration options

Notes and Maintenance

Before you begin installation, read all instructions thoroughly.

Proper tools will improve the quality of installation and reduce the time required.

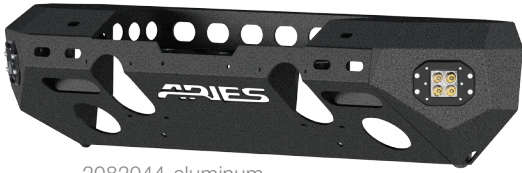
To protect the product, wax after installing. Regular waxing is recommended to add a protective layer over the finish. Do not use any type of polish or wax that may contain abrasives that could damage the finish.

For polished, gloss and other smooth finishes, polish may be used to clear small scratches and scuffs on the finish.

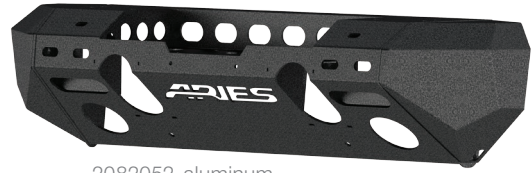
Mild automotive detergent may be used to clean the product. Do not use dish detergent, abrasive cleaners, abrasive pads, wire brushes or other similar products that may damage the finish.

Refer to the table to the left when securing hardware during the installation process to help prevent damage to the product or vehicle.

FRONT TRAILCHASER™ KITS



2082044 aluminum
2082057 steel



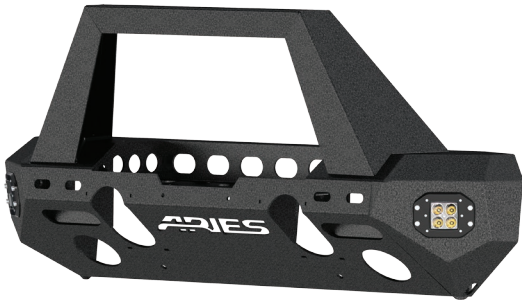
2082052 aluminum
2082048 steel



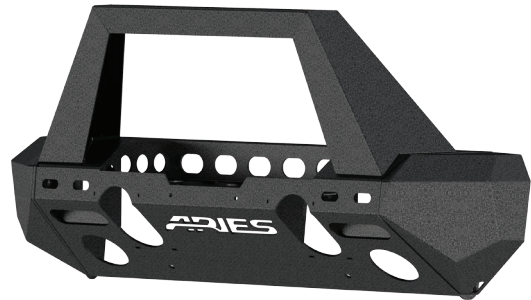
2082058 aluminum
2082056 steel



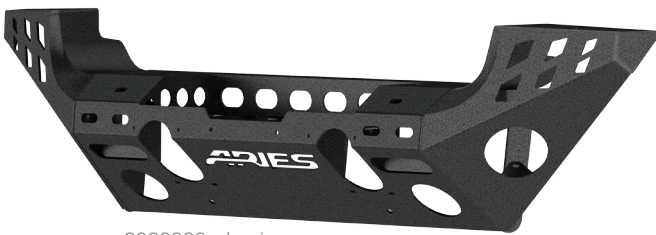
2082054 aluminum
2082050 steel



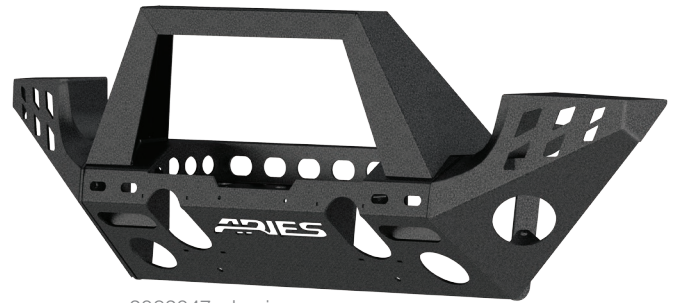
2082046 aluminum
2082043 steel



2082055 aluminum
2082051 steel



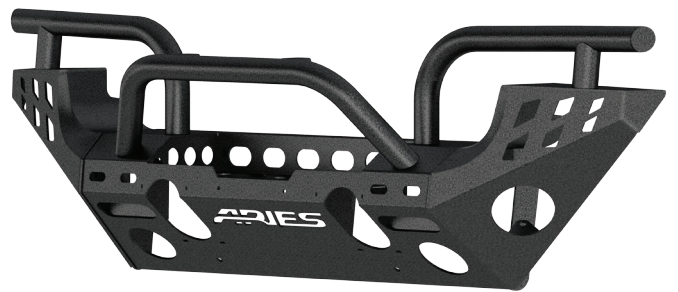
2082023 aluminum
2082032 steel



2082047 aluminum
2082042 steel



2082059 aluminum
2082040 steel



2082020 aluminum
2082030 steel

FRONT ALUMINUM TRAILCHASER™ KITS

Kit#	Center#	Side#	Side Style	LED Lights	Guard#	Guard Style	Guards Included
2082020	2081001	2081201	Side extension	Not included	2081254	Round	Center and sides
2082023	2081001	2081201	Side extension	Not included	--	--	--
2082059	2081001	2081201	Side extension	Not included	2081255	Round	Center only
2082047	2081001	2081201	Side extension	Not included	2081101	Angular	Center only
2082046	2081001	2081205	Corner	Included	2081101	Angular	Center only
2082058	2081001	2081205	Corner	Included	2081255	Round	Center only
2082044	2081001	2081205	Corner	Included	--	--	--
2082055	2081001	2081207	Corner	Not compatible	2081101	Angular	Center only
2082054	2081001	2081207	Corner	Not compatible	2081255	Round	Center only
2082052	2081001	2081207	Corner	Not compatible	--	--	--

All TrailChaser™ bumpers and components are finished with a textured black powder coat

FRONT STEEL TRAILCHASER™ KITS

Kit#	Center#	Side#	Side Style	LED Lights	Guard#	Guard Style	Guards Included
2082030	2081000	2081204	Side extension	Not included	2081250	Round	Center and sides
2082032	2081000	2081204	Side extension	Not included	--	--	--
2082040	2081000	2081204	Side extension	Not included	2081252	Round	Center only
2082042	2081000	2081204	Side extension	Not included	2081100	Angular	Center only
2082043	2081000	2081200	Corner	Included	2081100	Angular	Center only
2082056	2081000	2081200	Corner	Included	2081252	Round	Center only
2082057	2081000	2081200	Corner	Included	--	--	--
2082051	2081000	2081206	Corner	Not compatible	2081100	Angular	Center only
2082050	2081000	2081206	Corner	Not compatible	2081252	Round	Center only
2082048	2081000	2081206	Corner	Not compatible	--	--	--

All TrailChaser™ bumpers and components are finished with a textured black powder coat

1 / FACTORY BUMPER REMOVAL

Step 1

Using a flat head screwdriver, pry and remove four plastic push pins holding the air dam in place. Remove the air dam from underneath the vehicle.

Once removed, pry off the fasteners holding the brackets to the frame.



Step 2

From behind the bumper, disconnect the wiring harness attached to each fog light. Unclip the wiring harness from the bumper cover.



Step 3

Locate two fasteners holding the frame cover in place on top of the bumper.

Remove these with a phillips screwdriver.



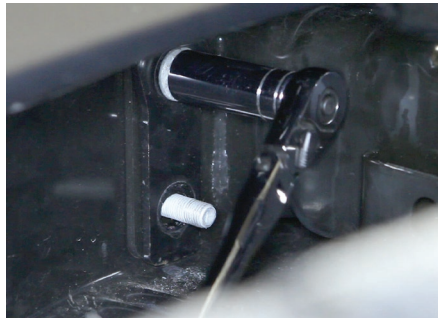
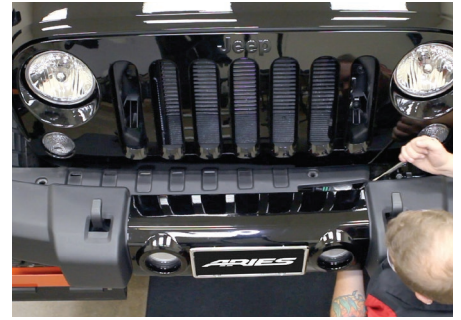
1 / FACTORY BUMPER REMOVAL (CONT.)

Step 4

When facing the Jeep head-on, slide the cover to the left to expose the driver side bolts holding the bumper in place.

Remove the four nuts holding the bolts onto the bumper frame with an 18mm socket.

Repeat this on the passenger side.



Step 5

When all the bolts have been removed carefully lift the bumper from the frame and set on a flat work surface.



Step 6

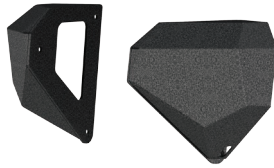
Remove the stock fog lights to be used in the new ARIES TrailChaser™ bumper.



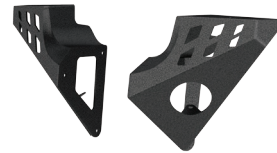
2A / SIDE EXT. INSTALL WITHOUT LEDS

Side Extensions Parts List

1	Driver / left side extension
1	Passenger / right side extension
6	Hex bolt, M10 x 35mm
12	Flat washer, M10
6	Lock washer, M10
6	Nut, M10



2081207 aluminum
2081206 steel



2081201 aluminum
2081204 steel

Step 1

Set the new ARIES center section onto a flat work surface. Lift the bumper side into place and insert a 10mm hex bolt with a locking and flat washer.

Secure the bolt with a second flat washer and a hex nut.

Repeat this for all three attachment points.

Snug the hardware at this time, but do not tighten.

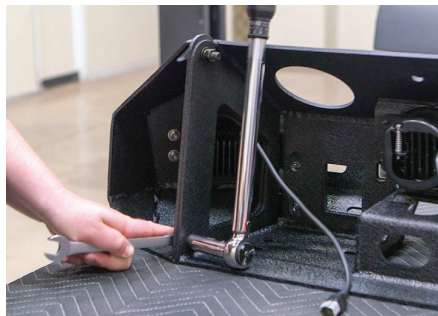


Step 2

Repeat steps 1 and 2 on the opposite side.

With both extensions loosely installed, check to make sure that the bumper corners match up.

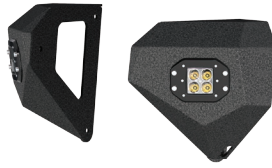
Adjust if necessary and fully tighten all the hardware with a 16mm socket and wrench



2B / SIDE EXT. INSTALL WITH LEDS

Side Extensions Parts List

1	Driver / left side extension
1	Passenger / right side extension
8	Socket cap screw, M6 x 20mm
8	Flat washer, M6
8	Nylock nut, M6
6	Hex bolt, M10 x 35mm
12	Flat washer, M10
6	Lock washer, M10
6	Nut, M10
2	LED work light (#1501250)
1	Rubber gasket



2081205 aluminum
2081200 steel

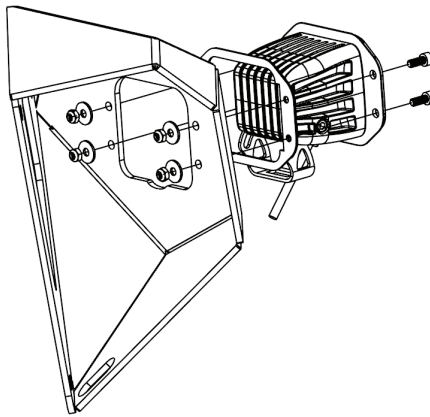
Step 1

Set the side extensions onto a flat work surface. Insert the rubber gasket and LED light into place as shown.

Secure the four LED light attachment points with an M6 socket cap screw, flat washer and nylock nut at each point.

Repeat for the other side extension.

Tighten all hardware and repeat for the second side extension and light.



Step 2

Set the new center section onto a flat work surface. Lift the side extension into place and insert an M10 hex bolt, lock washer and flat washer. Secure the bolt with a second flat washer and a hex nut.

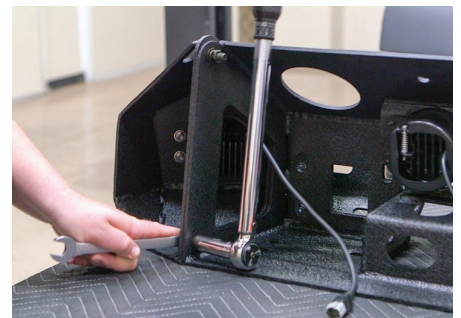
Repeat this for all three attachment points.

Snug the hardware, but do not fully tighten.

Repeat on the opposite side.

With both extensions loosely installed, check to make sure that the bumper corners match up.

Adjust if necessary and fully tighten all hardware with a 16mm socket and wrench.



3A / ANGULAR BRUSH GUARD INSTALL

Angular Brush Guard Parts List

1	Angular brush guard
6	Buttonhead cap screw, M6 x 20mm
12	Flat washer, M6
6	Nylock nut, M6
4	Hex bolt, M10 x 25mm
8	Flat washer, M10
4	Lock washer, M10
4	Nut, M10
1	Cover plate



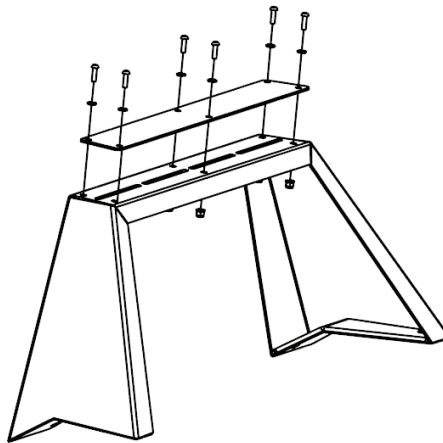
2081101 aluminum
2081100 steel

Step 1

Place the cover plate on top of the brush guard. Insert an M6 button head cap screw with flat washer and secure with a nylock nut.

Repeat for all six attachment points.

Adjust if necessary and fully tighten all hardware with an Allen wrench.

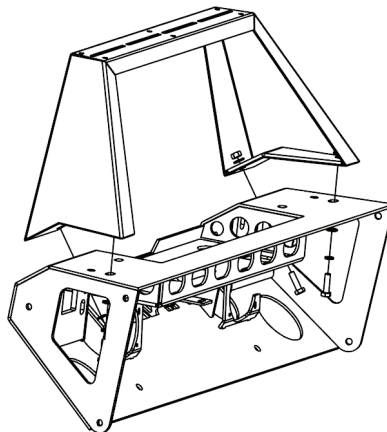


Step 2

Place the center section onto a flat work surface. Lift the brush guard into place and insert an M10 hex bolt with locking and flat washer. Secure the bolt with a second flat washer and a hex nut.

Repeat this for all four attachment points.

Adjust if necessary and fully tighten all the hardware with a 16mm socket and wrench.



3B / ROUND BRUSH GUARD INSTALL

Center & Sides, Brush Guard Parts List

1	Center brush guard
1	Driver / left brush guard
1	Passenger / right brush guard
6	Hex bolt, M10 x 35mm
6	Flat washer, M10
6	Lock washer, M10
6	Nut, M10



2081254 aluminum
2081250 steel

Center Only, Brush Guard Parts List

1	Center brush guard
2	Hex bolt, M10 x 35mm
2	Flat washer, M10
2	Lock washer, M10
2	Nut, M10



2081255 aluminum
2081252 steel

Step 1

If attaching the center guard only skip to step 2.

If installing the side brush guards, attach the two side guards with the provided M10 hex bolts, lock washers and flat washers.

Align and fully tighten the hardware with a 16mm socket.



Step 2

Finalize the brush guard install by attaching the center brush guard with two M10 hex bolts, lock washers and flat washers.

Ensure the guard(s) are aligned properly and fully tighten the hardware with a 16mm socket.

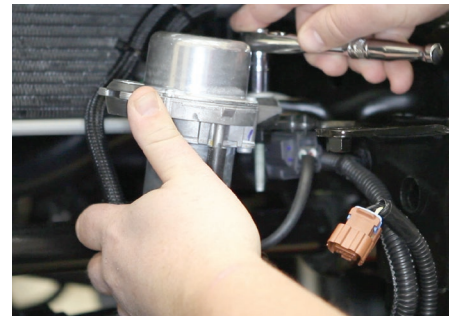


4 / TRAILCHASER™ BUMPER INSTALL

Step 1

For 2012 models and later, you will see a vacuum pump on the driver side. This will need to be moved to accommodate the new bumper.

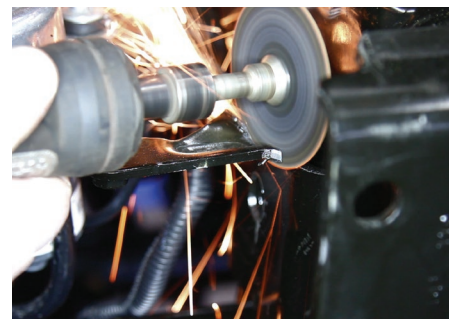
With a 10mm socket, loosen the rear bolt and fully remove the front bolt. Swing the vacuum pump toward the rear of the vehicle. Snug the rear bolt, but do not fully tighten.



Step 2

With the vacuum pump moved, you will be left with the factory bracket that originally held the front post in place. This will need to be removed to allow clearance for the winch receiver plate.

Using a cutoff tool, carefully remove the front post bracket.

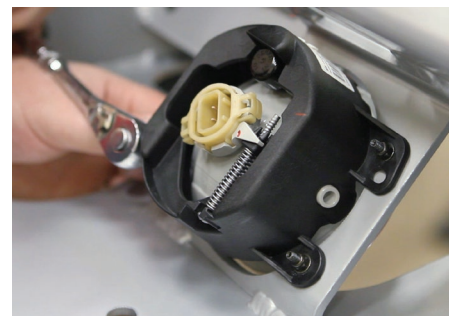
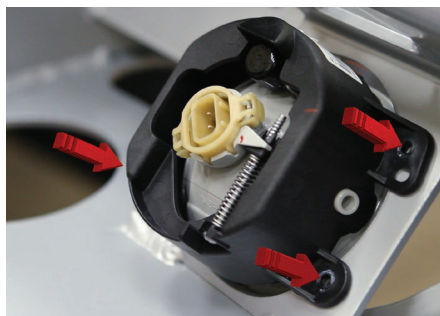


Step 3

Insert the fog lights into the new bumper. Each light will have three attachment points.

Insert an M4 socket cap screw with flat washer and secure with a flat washer and nylock nut.

Tighten with a 7mm socket and the provided Allen wrench. Repeat this for the other light.



Step 4

With help, lift the bumper into place over the pre-mounted 12mm bolts in the factory bumper mount locations.

If the winch receiver plate bracket was not installed, the included M12 bolts will be installed in step 7.



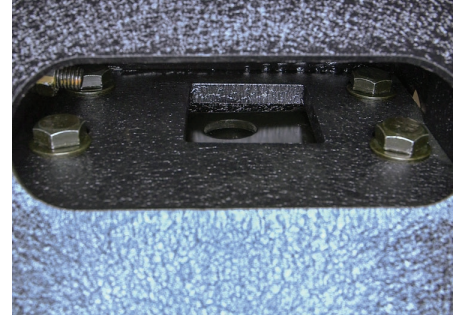
4 / TRAILCHASER™ BUMPER INSTALL (CONT.)

Step 5

Insert a M12 hex bolt with flat washer behind the bumper bracket and secure with a flat and lock washer with a hex nut.

Depending on the year of the Jeep, there may be as few as two mounting points to attach to. This example has three per side.

Snug all hardware at this time, but do not fully tighten.



Step 6

Reattach the fog lights and wire harness to the bumper.



Step 7

Take vacuum pump and place threaded bolt through tab on bumper and attach with M6 nylock nut.



Step 8

Check to make sure the bumper is level. Adjust if necessary and fully tighten all of the hardware.

With the bumper installed, periodic inspections should be performed to ensure all mounting hardware remains tight.

To protect your investment, see the 'Notes and Maintenance' section on the first page of this instruction manual.

Congratulations on the installation of your new ARIES TrailChaser™ bumper.

