

# INSTALLATION MANUAL

**2069-2**

## Level of Difficulty

Easy

Installation difficulty levels are based on time and effort involved and may vary depending on the installer level of expertise, condition of the vehicle and proper tools and equipment.

## Parts List

Qty	Description
1	Driver/left Frame Mounting Bracket
1	Passenger/right Frame Mounting Bracket
1	Driver/left Top Frame Bracket
1	Passenger/right Top Frame Bracket
1	Driver/left Top Bracket
1	Passenger/right Top Bracket
4	12-1.75mm x 35mm Hex Bolts
4	12mm x 32mm OD x 3mm Flat Washers
4	12mm Lock Washers
2	10mm Cam Lever Quick Release Bolts with Special Pivot Washer
4	10mm x 24mm OD x 2.2mm Flat Washers
2	10-1.5mm Nylon Lock Nuts
4	8-1.25mm x 25mm Hex Bolts
4	8mm Lock Washers
4	8mm x 22mm OD x 2mm Flat Washers
4	12mm Plastic Washers
4	10mm Plastic Washers
2	600mm x 50mm x 1.0mm Adhesive Foam Strips

## Tools Required

Socket, 10mm	Socket, 18mm
Socket, 13mm	Socket, 21mm
Socket, 16mm	--

## Torque Specifications

M6 bolt	3 ft.-lbs.
M8 bolt	7 ft.-lbs.
M10 bolt	16 ft.-lbs.
M12 bolt	28 ft.-lbs.
M14 bolt	45 ft.-lbs.

Use above torque setting unless otherwise noted

## Product Photo



## NOTICE

Visit [www.ariesautomotive.com](http://www.ariesautomotive.com) for a full-color copy of this instruction manual, as well as helpful videos, guides and much more!

Before you begin installation, read all instructions thoroughly.

Proper tools will improve the quality of installation and reduce the time required.

Periodic inspection of your product should be performed to ensure all hardware and / or components remain secure.

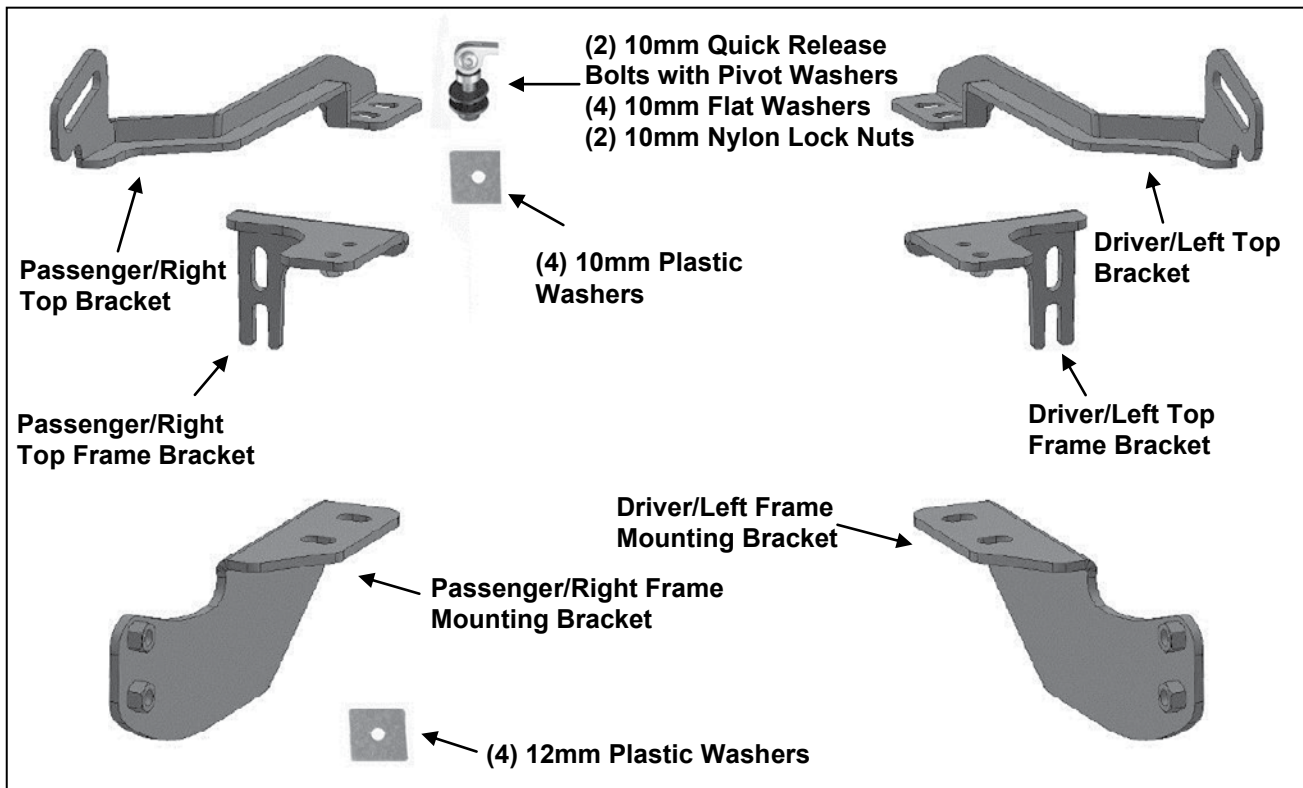
To help prevent damage to the product or vehicle, refer to the specified torque specifications when securing hardware during the installation process.

## Maintenance

Mild automotive detergent may be used to clean the product. Do not use dish detergent, abrasive cleaners, abrasive pads, wire brushes or other similar products that may damage the finish.

## Product Registration and Warranty

ARIES stands behind our products with industry-leading warranties. To get copies of the product warranties, register your purchase or provide feedback, visit: [warranty.curtgroup.com/surveys](http://warranty.curtgroup.com/surveys)



**IMPORTANT:** The Grille Guard is designed to tilt forward to clear the attached grille on 2007-13 Tundra, 08-14 Sequoia models. To tilt the Grille Guard, the Quick Release Bolts on the Top Brackets must be released and the upper bolts on both Mounting Brackets may need to be loosened slightly. Make sure that all hardware is fully tightened after closing the hood. Carefully read Page 8, "Opening and Closing of Hood," before installing the Grille Guard.

**! NOTICE** Grille Guard may interfere with the performance of forward facing cameras and sensors , if equipped.

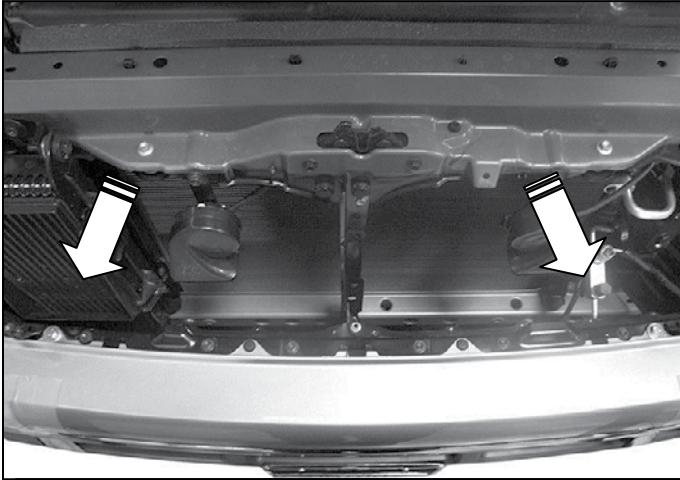
**PROCEDURE:** REMOVE CONTENTS FROM BOX. VERIFY ALL PARTS ARE PRESENT. READ INSTRUCTIONS CAREFULLY BEFORE STARTING INSTALLATION. MAY INTERFERE WITH FRONT MOUNTED SENSORS. NOT RECOMMENDED FOR VEHICLES WITH OPTIONAL "ACTIVE" LASER GUIDED CRUISE CONTROL SYSTEMS. CUTTING MAY BE REQUIRED.

1. Start installation at the front of the vehicle.
  - 07-13 Tundra, 08-14 Sequoia models:** Open the hood. Top Brackets can either be installed from above or below front bumper depending on model, accessories and year, **(Figure 1 & 2)**.
  - 2014-on Tundra models:** Top Brackets must be installed from below front bumper, **(Figure 2)**.
2. Locate the passenger/right side bumper bracket attached to the end of the frame, visible through the gap between the front bumper and the radiator, **(Figure 1)**, or from below the bumper above the tow hook, **(Figure 3)**. If installing from below, remove the hardware attaching the bumper cover to the cross member to access the end of the frame and bracket, **(Figure 4)**.
3. Select the passenger/right side Top Frame Bracket, **(Figure 5)**. Remove the top and center factory hex nuts from the outside of the bumper bracket, attaching the bumper bracket to the end of the frame, **(Figure 3)**.
4. Slide the L-shaped Bracket over the top of the bumper bracket, down and over the (2) threaded studs. If installing from below, carefully pull the bottom of the bumper cover outward and slide the Bracket up and in position. Reuse the (2) factory hex nuts to attach the Top Bracket to the bumper bracket. Snug but do not fully tighten the hardware at this time.
5. Repeat **Steps 2—4** to install the driver/left side Top Frame Bracket. **IMPORTANT:** Installation will require removal or cutting of plastic air deflector, if equipped, attached to the back of the lower grille, **(Figures 6 & 7)**. **NOTE:** Depending on year and model, it may be necessary or easier to remove bumper cover to access and remove the air deflector from back of the grille.

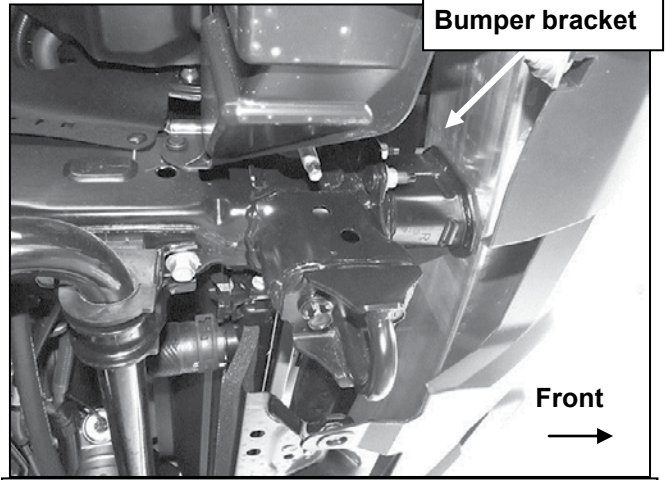
6. Next, remove the passenger/right tow hook if equipped, **(Figures 8 & 9)**. Select the passenger/right Frame Mounting Bracket, **(Figure 10)**.
  - Vehicles with small tow hook:** Insert the (2) factory tow hook bolts back through the tow hook, the Frame Bracket and up into the frame, **(Figure 11)**. Do not fully tighten hardware.
  - Vehicles with large tow hooks:** Reuse the tow hook bolts to attach the passenger/right side Frame Bracket directly to the bottom of the frame. **NOTE:** Large tow hook cannot be reinstalled, **(Figure 8)**. Do not fully tighten hardware.
7. Repeat **Step 6** to install the driver/left side Frame Mounting Bracket. Do not fully tighten hardware.
8. Select the passenger/right Top Bracket, **(Figure 12)**. Apply the included Adhesive Backed Foam Tape to the Bracket as needed to protect the grille opening from contact with the Bracket.
9. Slide the Top Bracket in through the opening in the bumper, **(Figure 14)**. Line up the (2) holes in the Bracket with the previously installed Frame Bracket. Attach the Top Bracket to the top of the Frame Bracket with (2) 8mm Hex Bolts, (2) 8mm Lock Washers and (2) 8mm Flat Washers, **(Figures 13 & 14)**. Leave hardware loose at this time.
10. Repeat **Steps 8 & 9** to install the driver/left Top Bracket.
11. With assistance, place the Grille Guard face down on a clean surface in front of the vehicle. Position the mounting tabs on the Grille Guard up to the outside of the passenger/right side Frame Mounting Bracket. Line up the lower hole in the Bracket with the lower hole in the Grille Guard.
12. Insert (1) 12mm Plastic Washer between the Mounting Bracket and the Grille Guard. Line up the Grille Guard, Plastic Washer and Bracket and bolt together with the included (1) 12mm x 35mm Hex Bolt, (1) 12mm Lock Washer and (1) 12mm Flat Washer, **(Figure 15)**.
13. Repeat **Steps 11—12** to attach the driver/left side mounting tab to the Bracket. Leave hardware loose.
14. Use the (2) previously installed 12mm Hex Bolts as a hinge. With assistance, carefully rotate the Grille Guard up to the vehicle, **(Figure 15)**. Line up the two remaining holes (1 per side) in the Mounting Brackets with the holes in the Grille Guard. Repeat **Steps 12 & 13** to attach the Grille Guard to the Brackets, **(Figure 16)**. Snug but do not tighten hardware at this time.
15. Next, move to the passenger/right Top Bracket installed in **Steps 8 & 9**. Line up the Top Bracket with the inside of the Grille Guard upright, **(Figure 17)**. Insert (1) 10mm Quick Release Bolt with Pivot Washer and (1) 10mm Flat Washer through the outside of the Grille Guard. Thread (1) 10mm Plastic Washer part way onto the threads. Slide the Top Bracket over the Quick Release and against Plastic Washer. Thread (1) 10mm Plastic Washer, (to protect the finish on the Top Bracket), (1) 10mm Flat Washer and (1) 10mm Nylon Lock Nut, **(Figures 17 & 18)**, onto the Quick Release. Do not fully tighten hardware at this time.
16. Repeat **Step 15** to attach the driver/left side Top Bracket to the Grille Guard.
17. Release/loosen the levers on the Quick Release Bolts, **(Figure 19)**, and pull the Grille Guard away from the vehicle to the "open" position, **(Figure 20)**. **NOTE:** It may be necessary to slightly loosen the top (2) 12mm Hex Bolts on the Frame Mounting Brackets to move the Grille Guard, **(Figure 21)**. Center and level the Grille Guard and tighten all hardware including the Frame Mounting Brackets.
18. Adjust the Quick Release Bolt clamping pressure by loosening or tightening the 10mm Nylon Lock Nuts. See **Steps 22—27** for more information. **NOTE:** Tilt feature only required on 07-13 Tundra and 08-14 Sequoia models. 2014-on Tundra model installation can skip to **Step 20**.
19. Slowly close the hood and check for clearance. Release both Quick Release bolts. Push the Grille Guard into the "closed" position. If needed, loosen the upper bolt on each Frame Mounting Bracket, **(Figure 21)**. **WARNING!** Do not completely loosen bolts or damage to the truck or Grille Guard may occur.
20. Push the Grille Guard back towards the vehicle and fully tighten all hardware, **(Figures 22 & 23)**. Reattach the bottom of the bumper cover with the factory hardware, **(Figure 4)**.
21. Do periodic inspections to the installation to make sure that all hardware is secure and tight.

**To protect your investment**, wax this product after installing. Regular waxing is recommended to add a protective layer over the finish. Do not use any type of polish or wax that may contain abrasives that could damage the finish. Mild soap may be used to clean the Grille Guard.

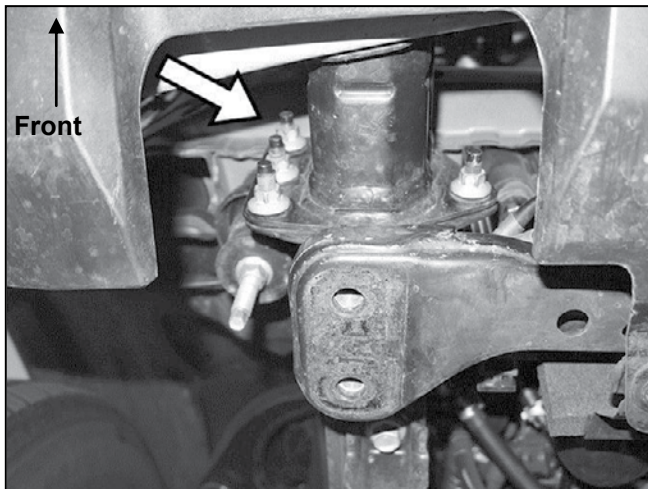
## Passenger/right Side Installation Pictured



(Fig 1) 07-13 Tundra bumper bracket location pictured from above. Remove top cover to access



(Fig 2) 2014 passenger side pictured from below



(Fig 3) Locate the (3) outer hex nuts attaching the bumper bracket to the frame. Reuse the center and top hex nut to attach the Top Frame Bracket to the front of the bumper bracket

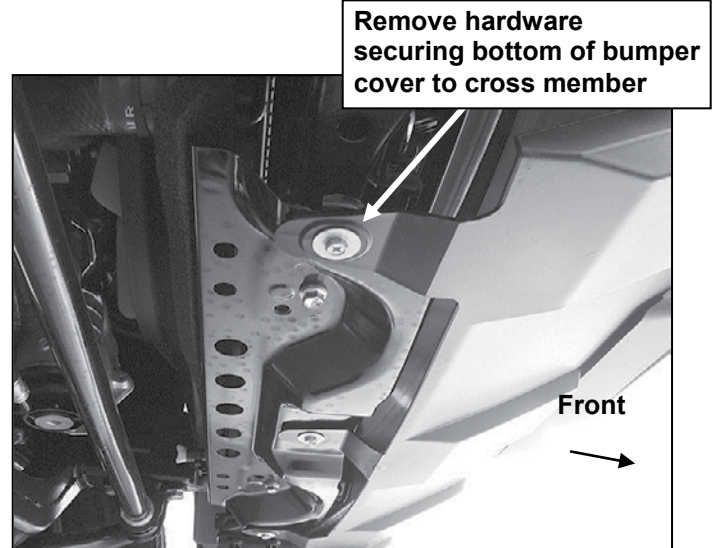
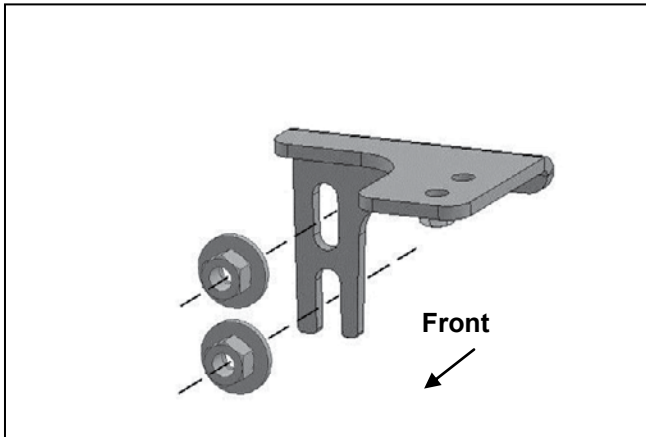
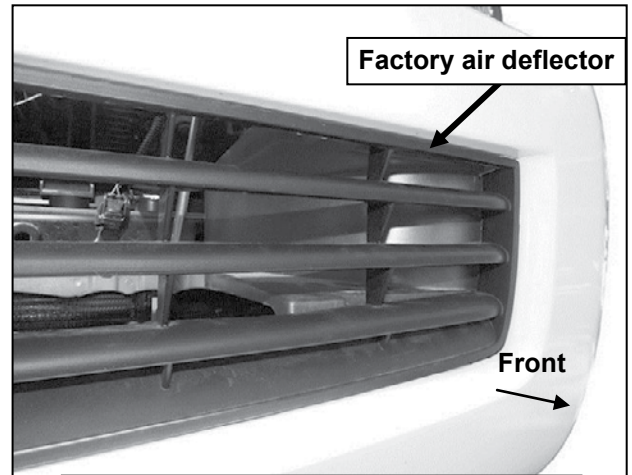


Fig 4) If necessary, temporarily remove bumper cover hardware to access bumper bracket (passenger/right side pictured from below)

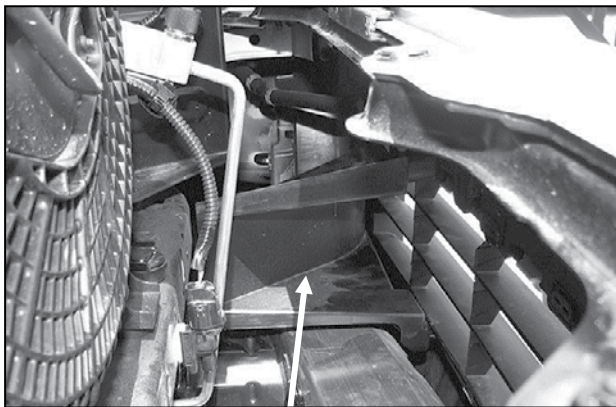
## Passenger/right Side Installation Pictured



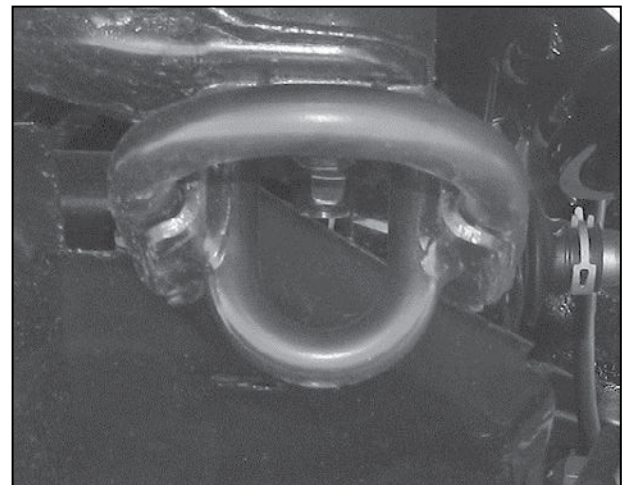
(Fig 5) Reuse the (2) factory hex nuts to attach the passenger/right Top Bracket to the factory bumper bracket



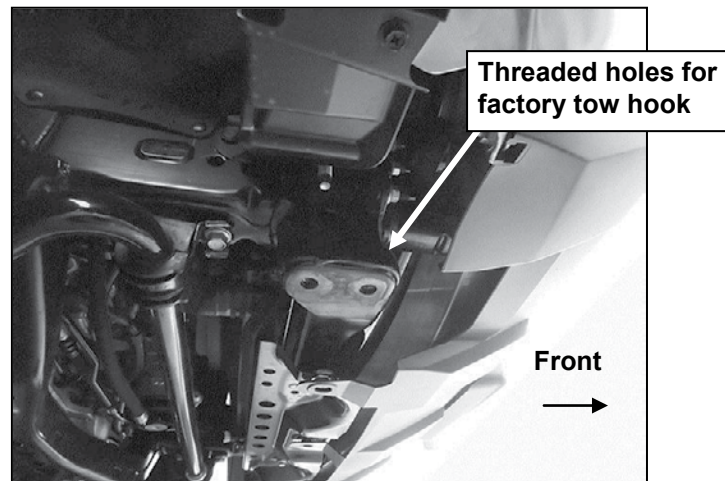
(Fig 6) Models equipped with driver/left side air deflector, cut or remove air deflector to clear the Top Brackets



(Fig 7) Driver/left side air deflector pictured from above. Note: Not included on all models

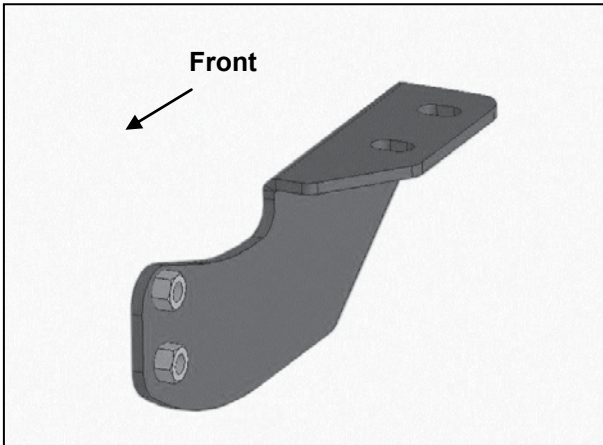


(Fig 8) Temporarily remove tow hooks. Important, the heavy duty factory tow hooks (pictured) cannot be reinstalled.

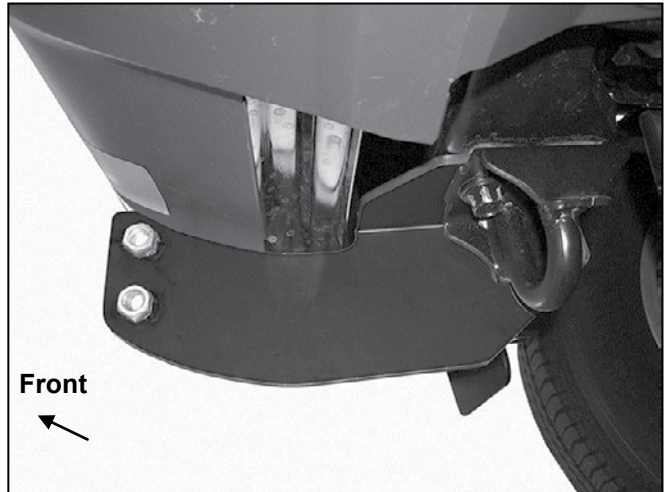


(Fig 9) Passenger/right side pictured from below

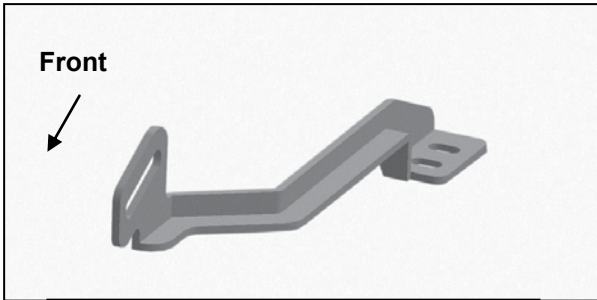
# Passenger/right Side Installation Pictured



(Fig 10) Passenger side Frame Mounting Bracket

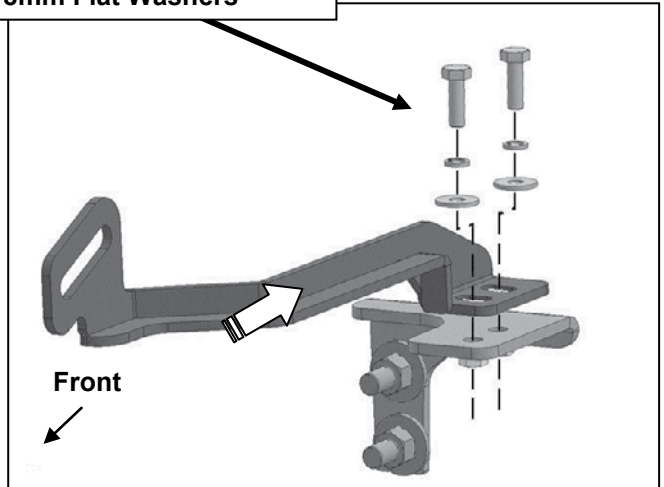


(Fig 11) Reuse factory hex bolts to attach Frame Bracket to bottom of frame (passenger/right side pictured with small tow hook)

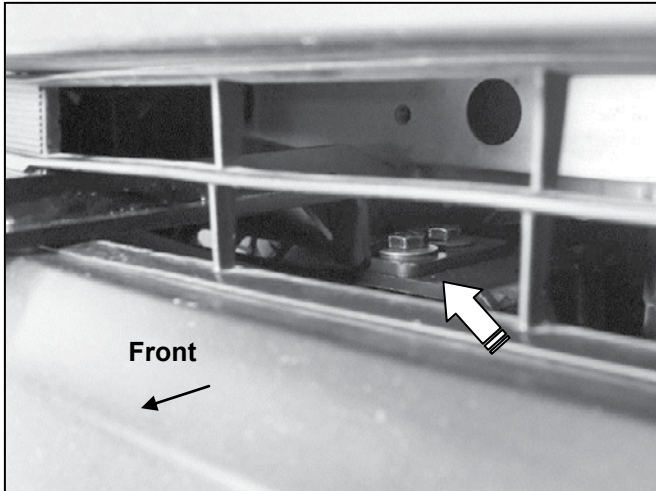


(Fig 12) Passenger side Top Bracket

- (2) 8mm x 25mm Hex Bolts
- (2) 8mm Lock Washers
- (2) 8mm Flat Washers



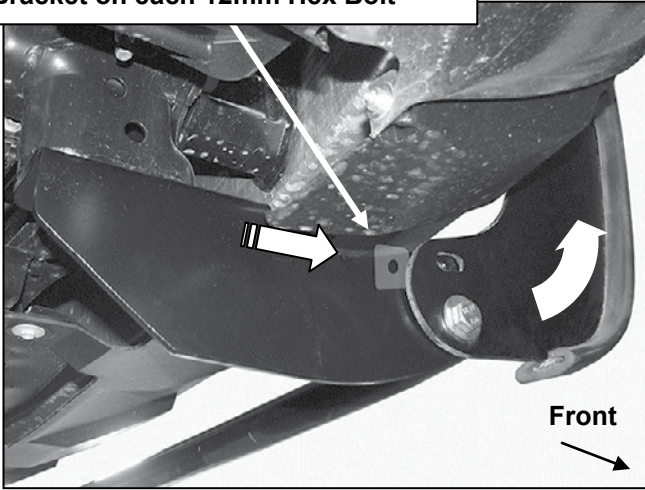
(Fig 13) Insert Top Bracket through opening in bumper. Passenger/right side Brackets illustrated



(Fig 14) Passenger/right side Top Bracket 07-13 pictured installed

## Passenger/right Side Installation Pictured

Insert a Plastic Washer between the Grille Guard and the Frame Mounting Bracket on each 12mm Hex Bolt

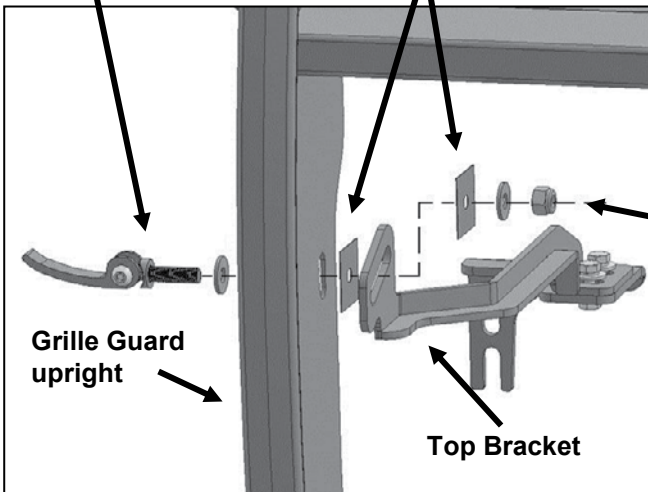


(Fig 15) Insert (1) 12mm Hex Bolt and Washers per side then rotate Grille Guard up and in position

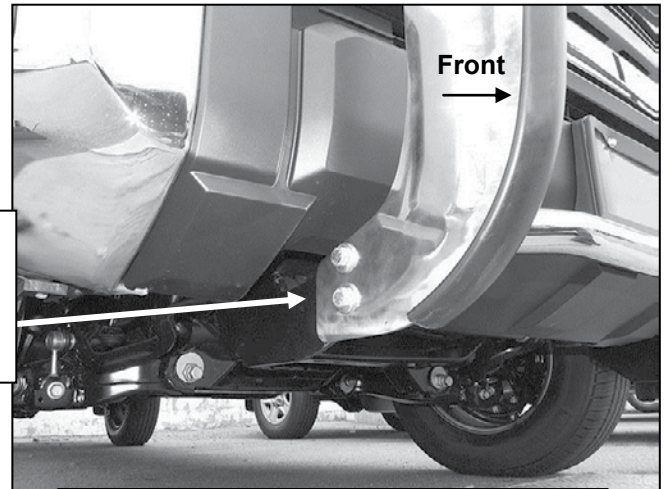
(2) 12mm x 35mm Hex Bolts  
 (2) 12mm Lock Washers  
 (2) 12mm Flat Washers  
 (2) 12mm Plastic Washers  
 (between Grille Guard and Bracket)

(1) 10mm Quick Release Bolt with Pivot Washer  
 (1) 10mm Flat Washer

(2) 10mm Plastic Washers



(Fig 17) Attach Top Bracket to inside of upright

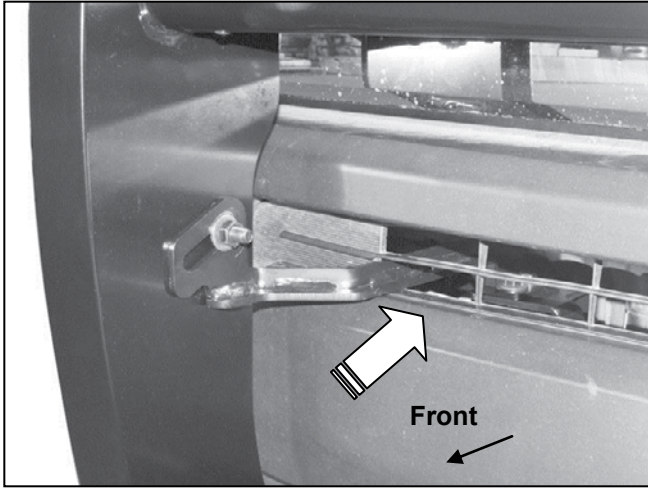


(Fig 16) Passenger/right side of Grille Guard attached to lower Frame Bracket

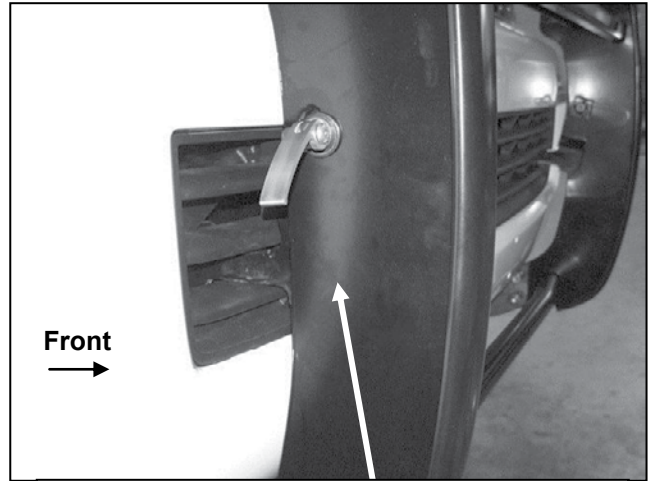
10mm Flat Washer  
 10mm Nylon Lock Nut

Insert a 10mm Plastic Washer between the Grille Guard and the Top Bracket and under the Flat Washer on each Quick Release Bolt. (2) Plastic Washers are required for each Quick Release installation

# Passenger/right Side Installation Pictured



(Fig 18) Passenger/right Top Bracket installed



(Fig 19) Pull handle to "open" Quick Release

Pull Grille Guard to the "open" position

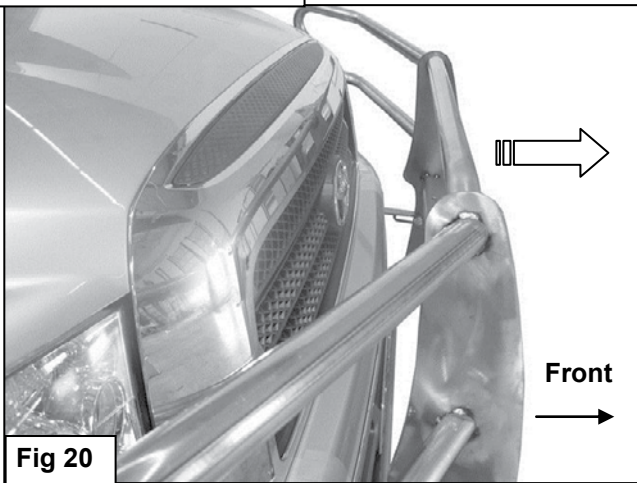


Fig 20

Loosen the top bolts (only if necessary) to open the hood

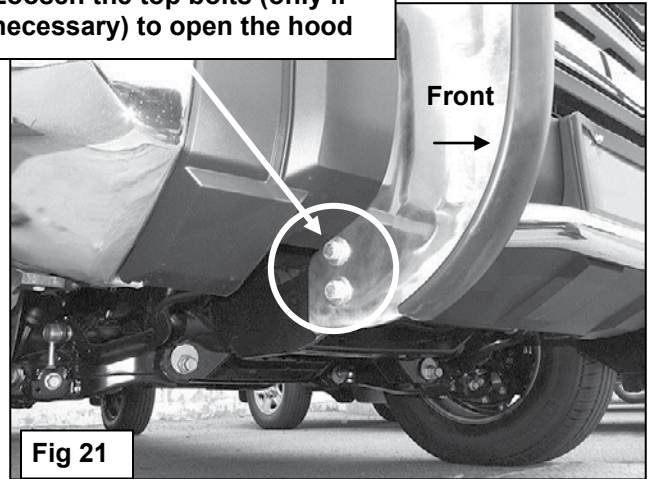
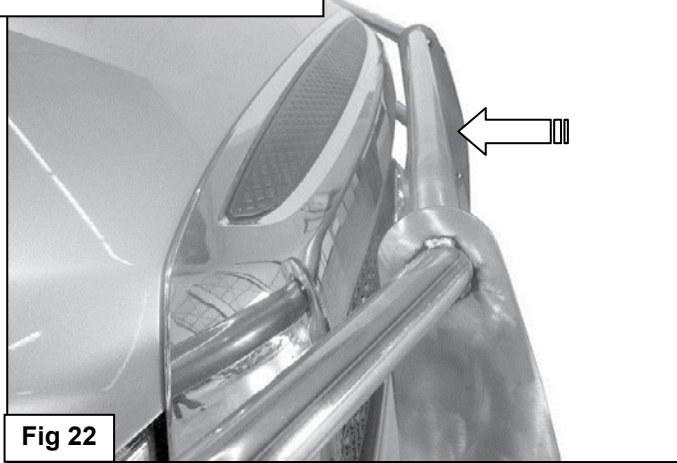


Fig 21



## Passenger/right Side Installation Pictured

Push Grille Guard back to the "closed" position



Quick Release in "closed" position



### Opening and closing the hood-required for 2007-13 models only

22. Lift the levers on the Quick Release Bolts to release the clamping pressure, (Figure 19). Pull the Grille Guard out and away from the vehicle to the "open" position, (Figure 20). **NOTE:** If the Grille Guard does not pivot to "open" position, **slightly loosen the 12mm upper Hex Bolt on each Mounting Bracket, (Figure 21).** **WARNING!** Do not completely loosen bolts or damage to the truck may occur.
23. Carefully pull on the Grille Guard until it is fully extended away from the vehicle, (Figure 20).
24. Pull the hood release and slowly open the hood.
25. **IMPORTANT!** Before closing the hood, always make sure that the Grille Guard is in the fully "open" position and away from the vehicle. Pull on the Grille Guard to verify that it is fully extended away from the vehicle and slowly close the hood, (Figure 20).
26. Once the hood is completely closed, push the Grille Guard back to its "closed," upright position and tighten all hardware on the Grille Guard, (Figure 22). Push down on the Quick Release lever to tighten, (Figure 23). No tools are required to close the Quick Release levers. It will require some effort to open and close by hand when properly adjusted. Loosen or tighten the 10mm Nylon Lock Nut on the Quick Release bolt to adjust the clamping pressure.
27. Do periodic inspections to the installation to make sure that all hardware is secure and tight.

