

INSTALLATION MANUAL

2066-2

Level of Difficulty

Easy

Installation difficulty levels are based on time and effort involved and may vary depending on the installer level of expertise, condition of the vehicle and proper tools and equipment.

Parts List

Qty	Description
1	Grill Guard
1	Driver/Left Frame Mounting Bracket
1	Passenger/Right Frame Mounting Bracket
1	Driver/Left Support Bracket (For 2010-13 Models)
1	Passenger/Right Support Bracket (For 2010-13 Models)
1	Driver/Left Support Bracket (For 2014-on Models)
1	Passenger/Right Support Bracket (For 2014-on Models)
1	Adhesive Foam Strip, 50mm x 200mm
2	Spacer Tube, 13mm x 25mm OD x 16.5mm
4	Hex Bolt, 12mm x 30mm
8	Flat Washer, 12mm x 37mm OD x 8mm
4	Lock Washer, 12mm
4	Hex Nut, 12mm
2	Hex Bolt, 10mm x 30mm
4	Flat Washer, 10mm x 30mm OD x 2.5mm
2	Nylon Lock Nut, 10mm
2	Hex Bolt, 8mm x 40mm
4	Hex Bolt, 8mm x 30mm
12	Flat Washer, 8mm x 24mm OD x 2mm
4	Nylon Lock Nut, 8mm

Tools Required

Socket set	Wrench
------------	--------

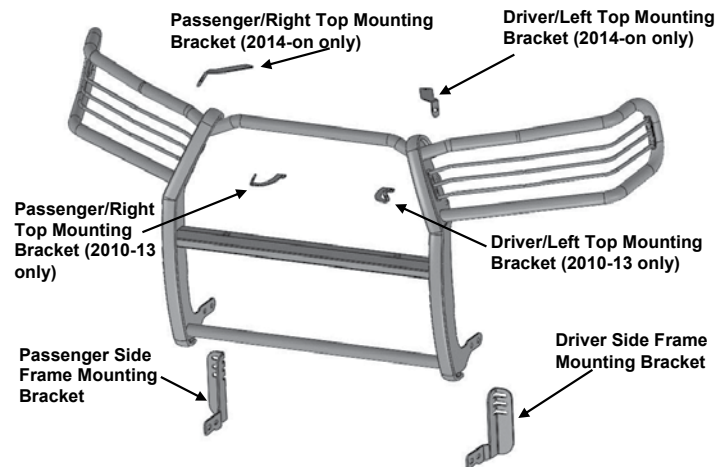
Product Registration and Warranty

ARIES stands behind our products with industry-leading warranties. To get copies of the product warranties, register your purchase or provide feedback, visit: warranty.curtgroup.com/surveys

Product Photo



Brackets and Hardware



NOTICE

Visit www.ariesautomotive.com for a full-color copy of this instruction manual, as well as helpful videos, guides and much more!

Grille guard may interfere with the performance of forward-facing cameras and sensors, if equipped. Before you begin installation, read all instructions thoroughly.

Proper tools will improve the quality of installation and reduce the time required.

Periodic inspection of your product should be performed to ensure all hardware and / or components remain secure.

To help prevent damage to the product or vehicle, refer to the specified torque specifications when securing hardware during the installation process.

Maintenance

Mild automotive detergent may be used to clean the product. Do not use dish detergent, abrasive cleaners, abrasive pads, wire brushes or other similar products that may damage the finish.

Torque Specifications		
Metric	M6 bolt	3 ft-lbs.
	M8 bolt	7 ft-lbs.
	M10 bolt	16 ft-lbs.
	M12 bolt	28 ft-lbs.
SAE	1/4" bolt	3 ft-lbs.
	5/16" bolt	7 ft-lbs.
	3/8" bolt	16 ft-lbs.
	7/16" bolt	20 ft-lbs.
	1/2" bolt	28 ft-lbs.

Use above torque setting unless otherwise noted

PROCEDURE:

REMOVE CONTENTS FROM BOX. VERIFY ALL PARTS ARE PRESENT. READ INSTRUCTIONS CAREFULLY BEFORE STARTING INSTALLATION. ASSISTANCE IS RECOMMENDED. CUTTING MAY BE REQUIRED. INSTALLATION MAY INTERFERE WITH FRONT SENSORS.

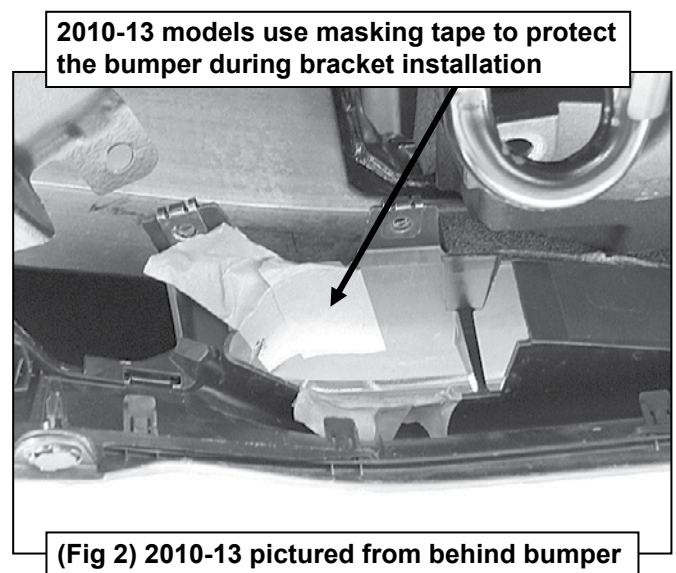
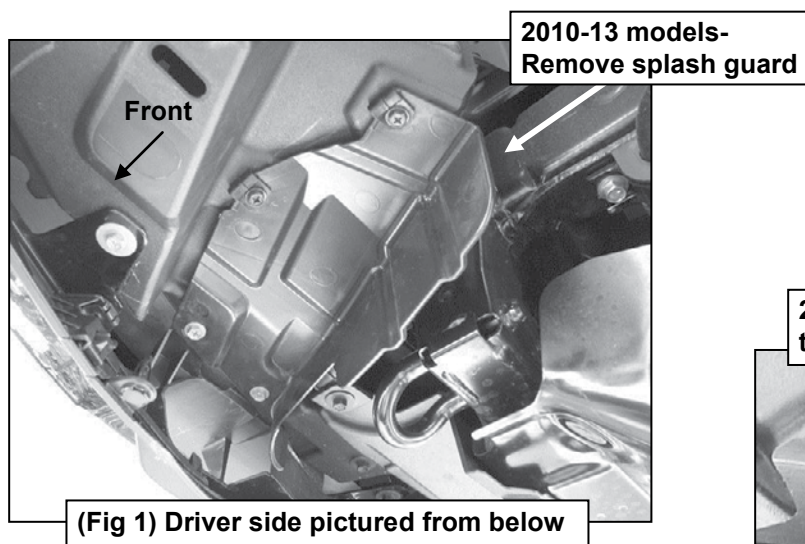
- Starting on the driver side, remove the (3) factory bumper mount bolts located on the outside of the driver side bumper mount, **(Figure 3)**.
 - On 2010-13 models**, remove the small driver side and passenger side plastic splash guards and place them on a clean, stable work area, **(Figure 1)**. To make reinstallation easier, note the type and location of all factory fasteners. The plastic center splash guard may also be removed for access to hardware if necessary. **IMPORTANT:** Apply a layer of masking tape to the openings in the bumper to protect the painted finish during bracket installation, **(Figure 2)**.
- Select the driver side Frame Bracket. Line up the (3) slots in the Mounting Bracket with the (3) bolt locations for the factory bumper bracket. Attach the Frame Bracket to the bumper bracket with the (3) factory bolts removed in **Step 1, (Figures 4 & 5)**. Do not tighten hardware.
 - On some 2010-13 models**, start with the frame Bracket in a horizontal position. From behind the bumper, insert the mounting tab on the Bracket into the back of the bumper opening then rotate the Bracket up to the bumper bolts.
- Repeat **Steps 1 & 2** for passenger side Frame Mounting Bracket installation.
- Next, open the hood and remove the plastic cover between the top of the radiator and the grille, **(Figure 6)**. **NOTE:** Pay close attention to the type and location of all factory hardware for easier reinstallation.
- Select the correct Top Bracket installation for your model/year.
 - 2010-13 Models:**
 - Remove the outer plastic clip attaching the bottom of the plastic grille to the top of the steel cross member closest to the outer edge of the grille opening, **(Figure 7)**.
 - Apply the Adhesive Backed Foam Tape to the underside, (side facing the bumper), on both 2010-13 Top Brackets to prevent damage to the bumper during installation. **NOTE:** Cut Foam Tape to fit areas that may come in contact with the bumper cover.
 - Select (1) left or right 2010-13 Top Bracket. From behind the grille, insert the Bracket through the opening in the grille directly above the hole in the cross member. **NOTE:** Inner end of Brackets are offset to one side for plastic grille clearance on various models/years. Select the 2010-13 Bracket that will fit properly through the grille.
 - Attach the Top Bracket to the cross member with (1) 8mm x 30mm Hex Bolt, (2) 8mm Flat Washers and (1) 8mm Nylon Lock Nut, **(Figures 8 & 9)**. Do not tighten hardware.
 - Repeat the previous Steps to attach the passenger side 2010-13 Top Bracket.
 - 2014-on models:**
 - Remove the inner plastic clip closest to the center grille emblem attaching the bottom of the grille to the top of the cross member, **(Figure 10)**. Select (1) 2014-on Top Bracket.
 - From behind the grille, insert the Bracket through the opening in the grille.
 - Attach the Bracket to the cross member with (1) 8mm x 40mm Hex Bolt, (2) 8mm Flat Washers and (1) Spacer Tube, **(Figure 11)**. Do not tighten hardware.
 - Repeat the previous Steps to install the 2014-on passenger side Top Bracket.

6. Carefully unwrap the Grille Guard. With assistance, line up the bottom mounting tabs on the Grille Guard with the (2) previously installed Frame Brackets. Bolt the Grille Guard to the outside of the Brackets with (4) 12mm Hex Bolts, (8) 12mm Flat Washers, (4) 12mm Lock Washers and (4) 12mm Hex Nuts, **(Figure 12)**. Do not tighten hardware at this time.
7. Push the Grille Guard back toward the vehicle. Line up the Top Brackets with the appropriate mounting points on the Grille Guard.
 - 2010-13 models:** Attach the outer end of the driver side Top Bracket to the inner side of the upright with (1) 8mm Hex Bolt, (2) 8mm Flat Washers and (1) 8mm Nylon Lock Nut, **(Figure 13)**. Do not tighten hardware. Repeat this **Step** to attach the passenger side Top Bracket to the Grille Guard.
 - 2014-on models:** Attach the outer end of the driver side Top Bracket to the inner side of the upright with (1) 10mm Hex Bolt, (2) 10mm Flat Washers and (1) 10mm Nylon Lock Nut, **(Figure 14)**. Do not tighten hardware. Repeat this **Step** to attach the passenger side Top Bracket to the Grille Guard.
8. Level and adjust the Grille Guard properly and tighten all hardware.
9. On **2010-13** models only, reinstall the plastic center splash guard using the factory hardware if removed in **Step 1**. Select the driver side plastic splash guard and hold it up in position against the bottom of the Mounting Bracket. Mark the area that needs to be removed from the splash guard to clear the Bracket. Check the location carefully and cut only the amount of plastic from the splash guard to clear the Bracket, **(Figure 15)**. Once the slot has been checked for clearance, reinstall the splash guard with the factory hardware. Repeat this **Step** to reinstall the passenger side splash guard.
10. Do periodic inspections to the installation to make sure that all hardware is secure and tight.

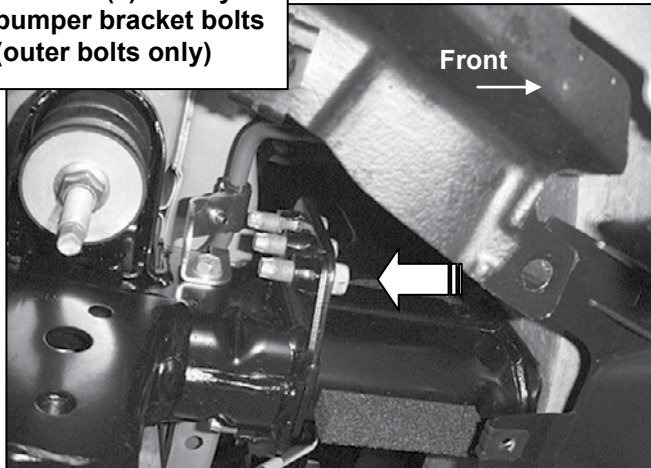
To protect your investment, wax this product after installing. Regular waxing is recommended to add a protective layer over the finish. Do not use any type of polish or wax that may contain abrasives that could damage the finish.

For stainless steel: Aluminum polish may be used to polish small scratches and scuffs on the finish. Mild soap may be used also to clean the Grille Guard.

For gloss black finishes: Mild soap may be used to clean the Grille Guard.

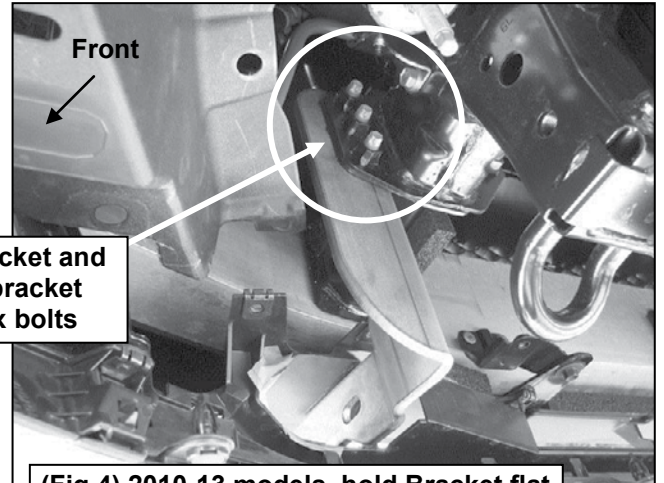


Remove (3) factory bumper bracket bolts (outer bolts only)



(Fig 3) Passenger side pictured from below vehicle

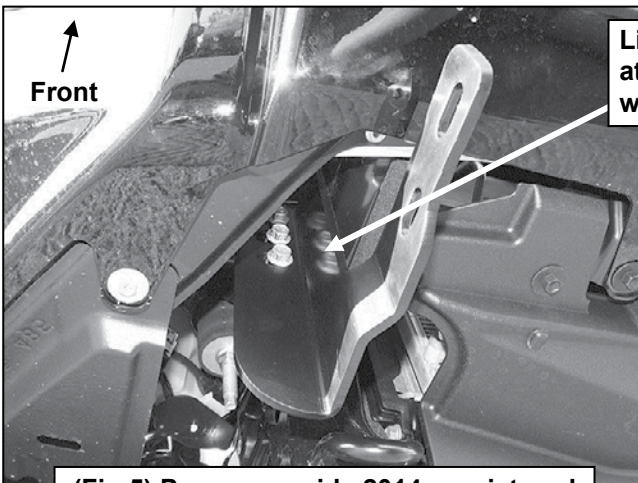
Line up Frame Bracket and attach to bumper bracket with (3) factory hex bolts



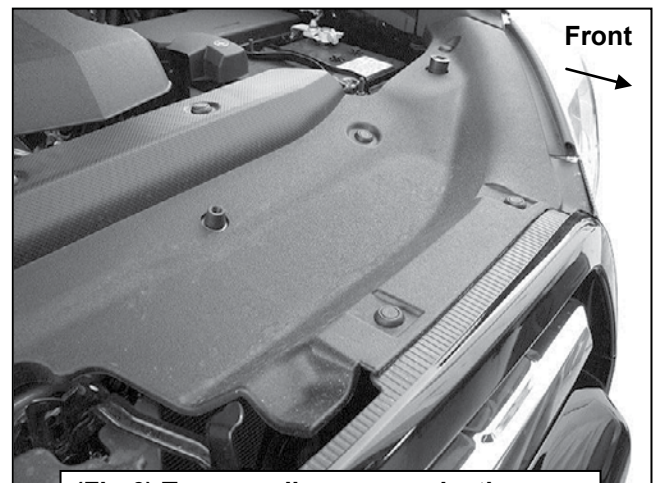
(Fig 4) 2010-13 models, hold Bracket flat and insert through opening in back of bumper. Pictured from behind bumper

Driver Side Installation Pictured

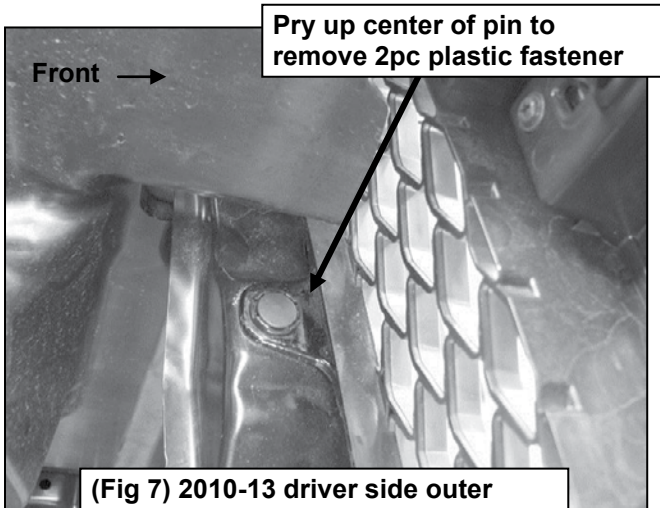
Line up Frame Bracket and attach to bumper bracket with (3) factory hex bolts



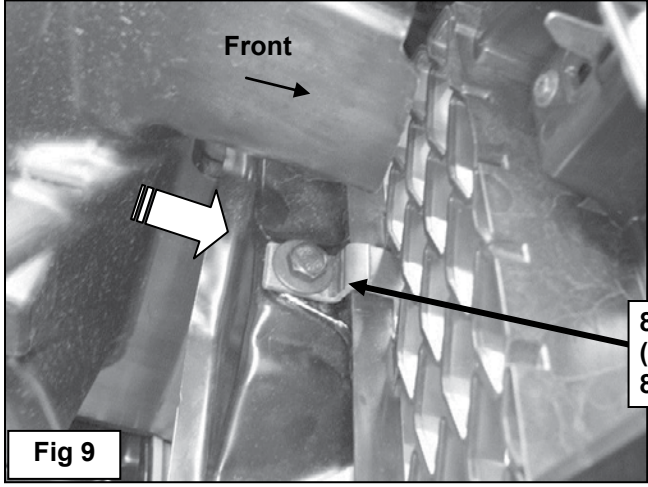
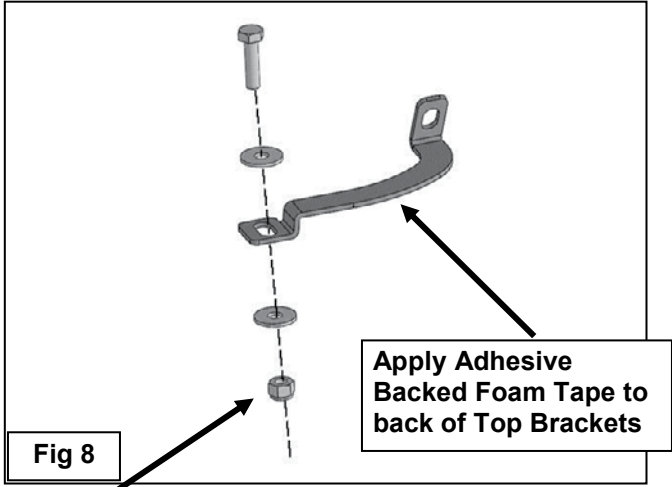
(Fig 5) Passenger side 2014-on pictured



(Fig 6) Temporarily remove plastic cover

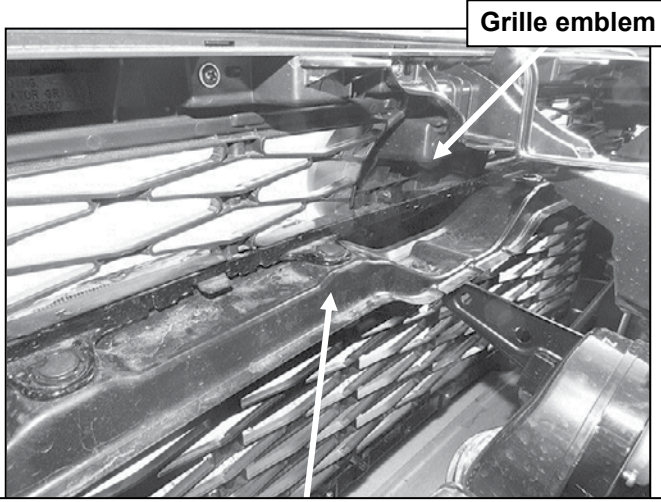


(Fig 7) 2010-13 driver side outer fastener pictured from behind grille

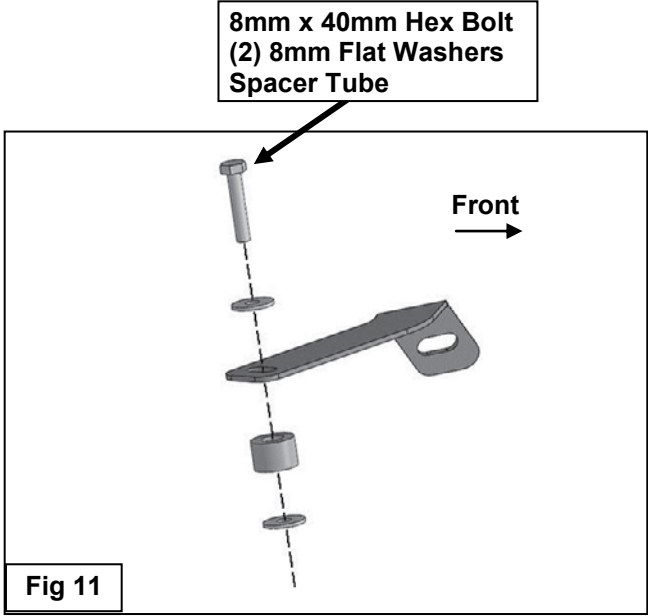


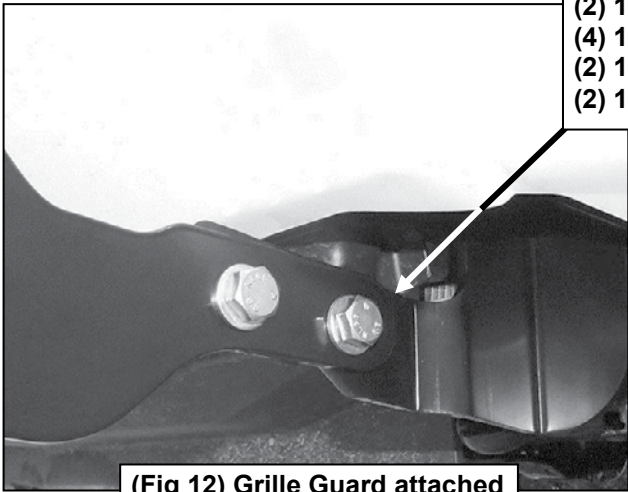
8mm x 30mm Hex Bolt
(2) 8mm Flat Washers
8mm Nylon Lock Nut

Fig 9



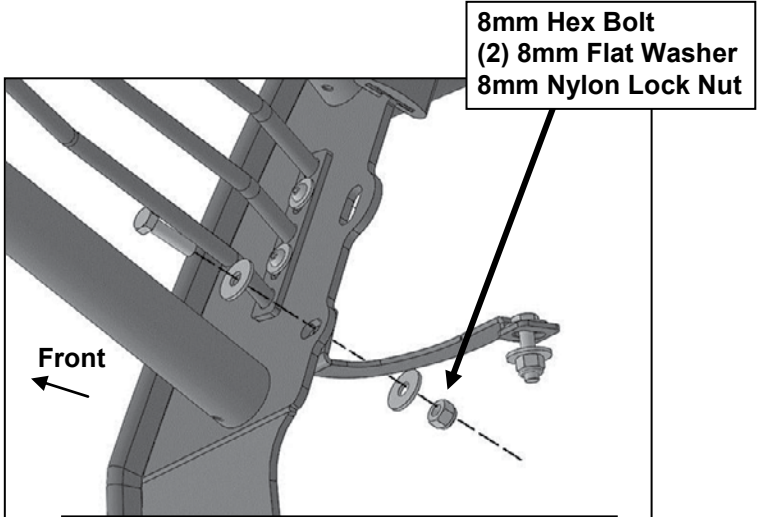
(Fig 10) 2014-on; Remove driver side fastener closest to grille emblem (pictured from behind grille)





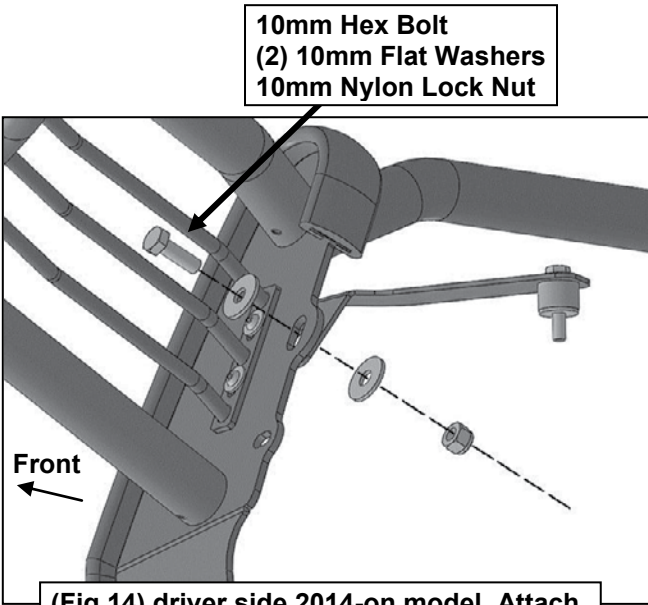
- (2) 12mm x 30mm Hex Bolts
- (4) 12mm Flat Washers
- (2) 12mm Lock Washers
- (2) 12mm Hex Nuts

(Fig 12) Grille Guard attached to the Mounting Bracket



- 8mm Hex Bolt
- (2) 8mm Flat Washer
- 8mm Nylon Lock Nut

(Fig 13) driver side 2010-13 model, Attach the Grille Guard to the Support Bracket



- 10mm Hex Bolt
- (2) 10mm Flat Washers
- 10mm Nylon Lock Nut

(Fig 14) driver side 2014-on model, Attach the Grille Guard to the Support Bracket

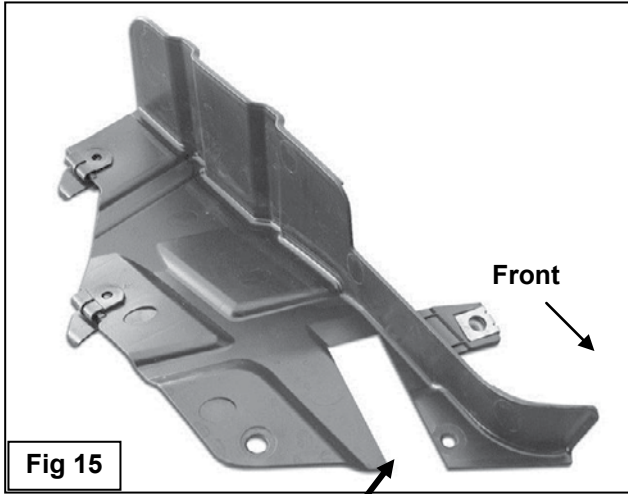


Fig 15

2010-13 model cut out area illustrated for example only



Complete Installation