

Parts List

1	Driver / left side bar
1	Passenger / right side bar
1	Driver / left mounting bracket, front
1	Passenger / right mounting bracket, front
1	Driver / left mounting bracket, rear
1	Passenger / right mounting bracket, rear
1	Driver / left brace bracket, front (02 - 10 1500 Quad cab)
1	Passenger / right brace bracket, front (02 - 10 1500 Quad cab)
1	Driver / left brace bracket, front (02 - 05 2500 / 3500 Quad cab)
1	Passenger / right brace bracket, front (02 - 05 2500 / 3500 Quad cab)
1	Driver / left brace bracket, front (06 - 10 2500 / 3500 Quad cab)
1	Passenger / right brace bracket, front (06 - 10 2500 / 3500 Quad cab)
2	T-bolt plate, 10mm
2	Hex bolt, 10mm x 40mm
6	Flat washer, 10mm x 25mm x 2mm
4	Lock washer, 10mm
4	Hex nut, 10mm
4	Half-tooth hex bolt, 12mm x 120mm
4	Hex bolt, 12mm x 60mm
8	Flat washer, 12mm x 30mm x 2.5mm
4	Flat washer, 12mm x 35mm x 3mm
8	Lock washer, 12mm
4	Hex nut, 12mm
4	Flat washer, 14mm x 48mm x 3mm

Level of Difficulty

Easy

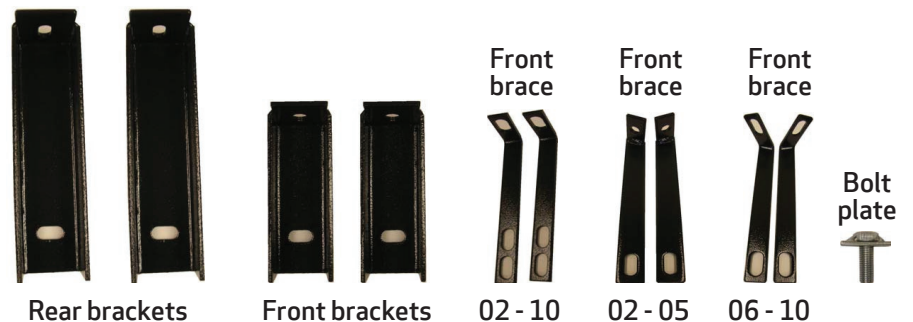


Scan for helpful install tips

Product Image



Brackets and Hardware



Notes and Maintenance

Before you begin installation, read all instructions thoroughly.

Proper tools will improve the quality of installation and reduce the time required.

To protect the product, wax after installing. Regular waxing is recommended to add a protective layer over the finish. Do not use any type of polish or wax that may contain abrasives that could damage the finish.

For stainless steel and aluminum, polish may be used to clear small scratches and scuffs on the finish. Mild soap may be used also to clean the product.

Procedure

1. Begin installation by working on the driver-side of the vehicle, see figures 1.1 To 1.5.
2. From underneath truck, loosen and remove the body mount bolts that run upward through the mounts into floorboard. Attach and secure the front mounting bracket to the underside of the vehicle's front body mount (see figure 1.3).

Re-use the isolator, but replace the factory bolt with one 12mm x 120mm half-tooth hex bolt, one 12mm lock washer and one 12mm flat washer. Snug the hardware, but do not fully tighten.
3. Attach and secure the rear mounting bracket to the underside of the vehicle's rear body mount in the same manner as the front mounting bracket.
4. Locate the T-bolt plate and place it into the opening on the bottom front frame rail.
5. Select 5A, 5B or 5C based on the model of your vehicle.

5A. Ram 1500 Series 02 - 10:

Locate the correct brackets. Secure the brace bracket to the T-bolt plate with one 10mm flat washer, one 10mm lock washer and one 10mm nut. Snug the hardware, but do not fully tighten (see figure 1.2)

Note: the slot on the short arm of the bracket should now line up with the mounting bracket slot.

5B. Ram 2500 / 3500 Series 02 - 05:

Locate the correct brackets. Secure the brace bracket to the side of the mounting bracket using one 10mm x 40mm hex bolt, two 10mm flat washers, one 10mm lock washer and one 10mm nut (see figure 1.5).

Secure the T-bolt plate to the mounting bracket with one 10mm flat washer, one 10mm lock washer and one 10mm nut. Snug the hardware, but do not fully tighten.

5C. Ram 2500 / 3500 Series 06 - 10:

Locate the correct brackets. **Note:** This is the shorter set of brackets. Secure the brace bracket to the side of the mounting bracket using one 10mm x 40mm hex bolt, two 10mm flat washers, one 10mm lock washer and one 10mm nut (see figure 1.5).

Secure the T-bolt plate to the mounting bracket with one 10mm flat washer, one 10mm lock washer and one 10mm nut. Snug the hardware, but do not fully tighten.

8. Attach the driver-side side bar to the front and rear mounting brackets using one 12mm x 60mm hex bolt, one 12mm lock washer and one 12mm flat washer for each bracket. Hand tighten.
9. Adjust the side bar so that it is level and centered. Torque all 12mm bolts first to 65 ft-lbs. Tighten all remaining fasteners to complete the driver-side install.
10. Repeat steps 3 through 10 for the passenger-side of the vehicle.
11. Congratulations on the installation of your new aries 3" round side bars. With the side bars installed, periodic inspections should be performed to ensure all mounting hardware remains tight.

To protect your investment, see the 'notes and maintenance' section on the first page of this instruction manual.



Figure 1.1 –
1500 Front Brace



Figure 1.2 –
2500 / 3500
Front Brace



Figure 1.2B –
2500 / 3500
Front Brace

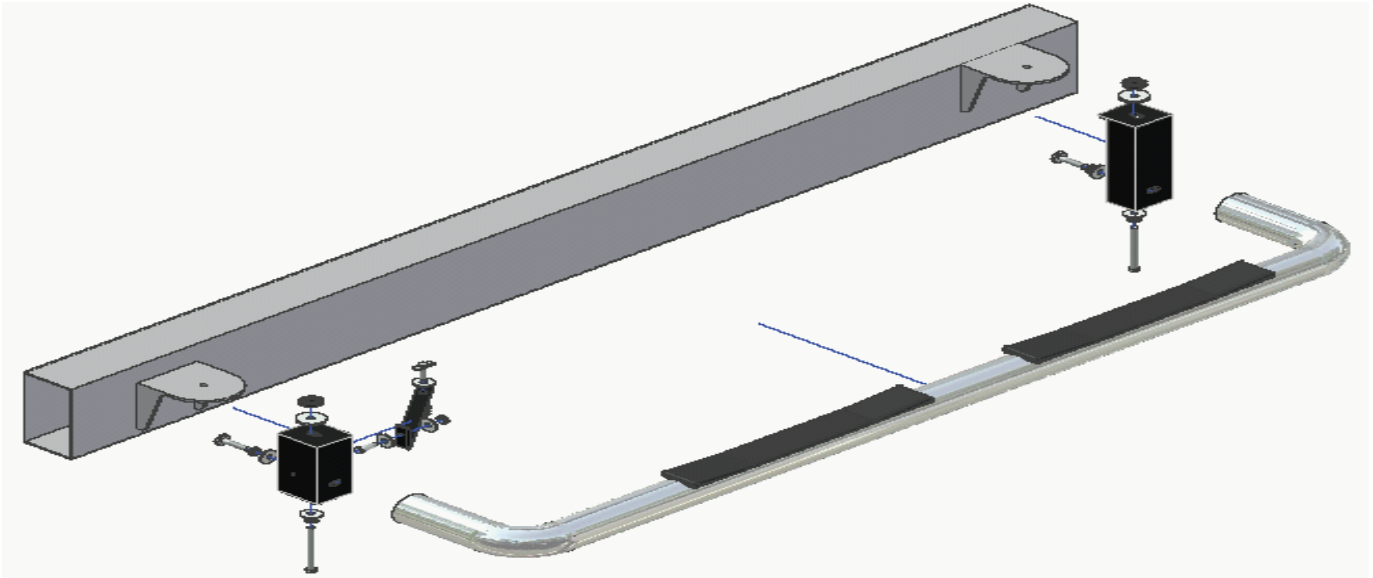


Figure 1.3 – Driver-Side Front Mount Assembly View (2500 / 3500 Series Set-Up)

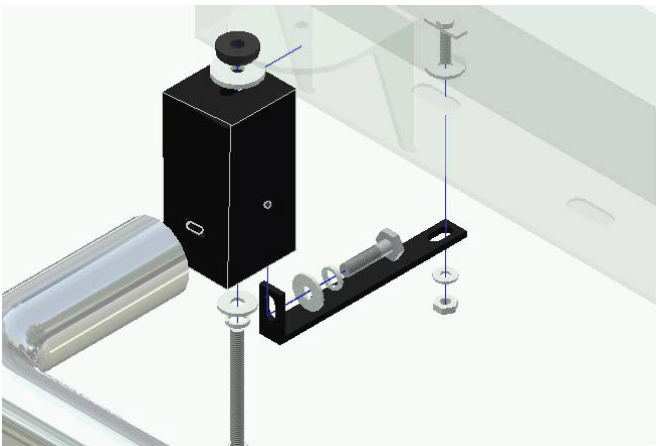


Figure 1.4 – 1500 Front Mount Assembly

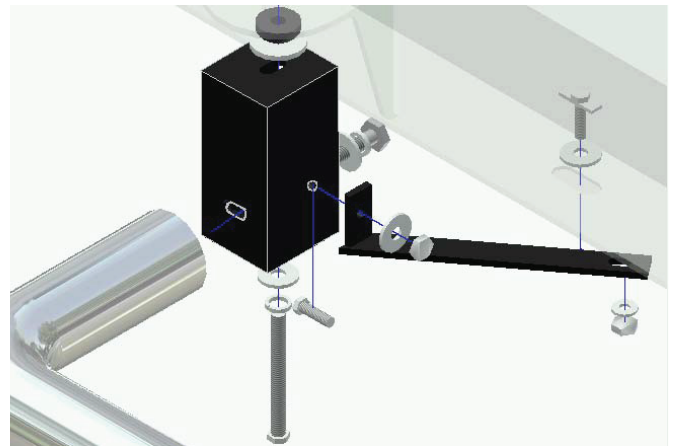


Figure 1.5 – 2500 / 3500 Front Mount