

# INSTALLATION MANUAL

204009-2

## Level of Difficulty

Easy

## Parts List

1	Driver / left side bar
1	Passenger / right side bar
1	Driver / left mounting bracket, front
1	Passenger / right mounting bracket, front
1	Driver / left mounting bracket, middle
1	Passenger / right mounting bracket, middle
1	Driver / left support bracket, middle
1	Passenger / right support bracket, middle
1	Driver / left mounting bracket, rear
1	Passenger / right mounting bracket, rear
4	Hex bolt, 1/2" x 2"
4	Flat washer, 1/2" x 1-1/2" x 1/8"
4	Lock washer, 1/2"
6	Hex bolt, M8 - 1.25 x 25mm
6	Flat washer, M8 x 24mm x 2mm
6	Lock washer, M8

## Tools Required

Ratchet	Socket set
Level	Wrench set

## Torque Specifications

	Metric	SAE
	M6 bolt	3 ft.-lbs.
	M8 bolt	7 ft.-lbs.
	M10 bolt	16 ft.-lbs.
	M12 bolt	28 ft.-lbs.
	1/4" bolt	3 ft.-lbs.
	5/16" bolt	7 ft.-lbs.
	3/8" bolt	16 ft.-lbs.
	7/16" bolt	20 ft.-lbs.
	1/2" bolt	28 ft.-lbs.

Use above torque setting unless otherwise noted

## Product Photo



## Notes and Maintenance

Before you begin installation, read all instructions thoroughly.

Proper tools will improve the quality of installation and reduce the time required.

To protect the product, wax after installing. Regular waxing is recommended to add a protective layer over the finish. Do not use any type of polish or wax that may contain abrasives that could damage the finish.

For polished, gloss and other smooth finishes, polish may be used to clear small scratches and scuffs on the finish.

Mild automotive detergent may be used to clean the product. Do not use dish detergent, abrasive cleaners, abrasive pads, wire brushes or other similar products that may damage the finish.

Refer to the table to the left when securing hardware during the installation process to help prevent damage to the product or vehicle.

## Product Registration

CURT Group stands behind our products with industry leading warranties. You can help us continue to improve our product line and help us understand your needs by registering your purchase by visiting:

[warranty.curtgroup.com/surveys](http://warranty.curtgroup.com/surveys)

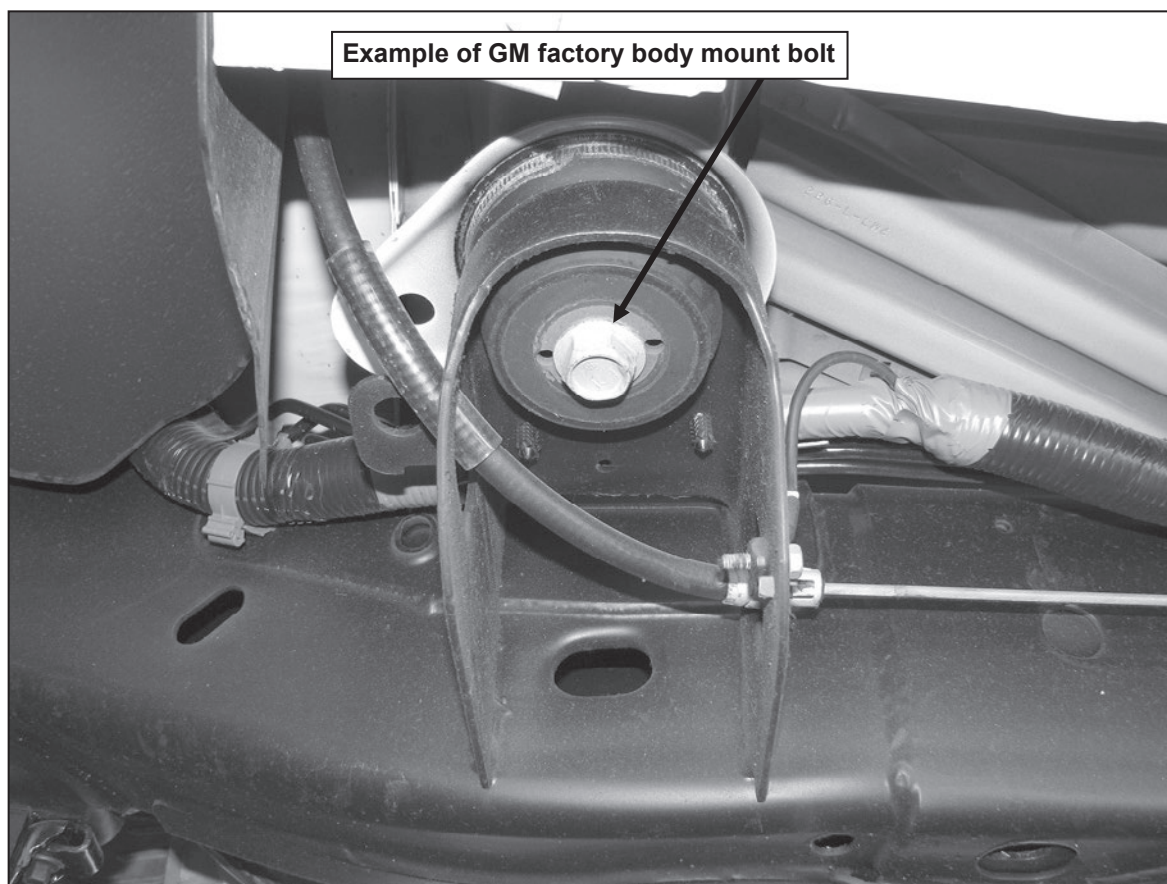
At CURT Group, customer is king. We value your feedback and we use that information to make improvements on our products. Please, take a minute and let us know how we are doing.

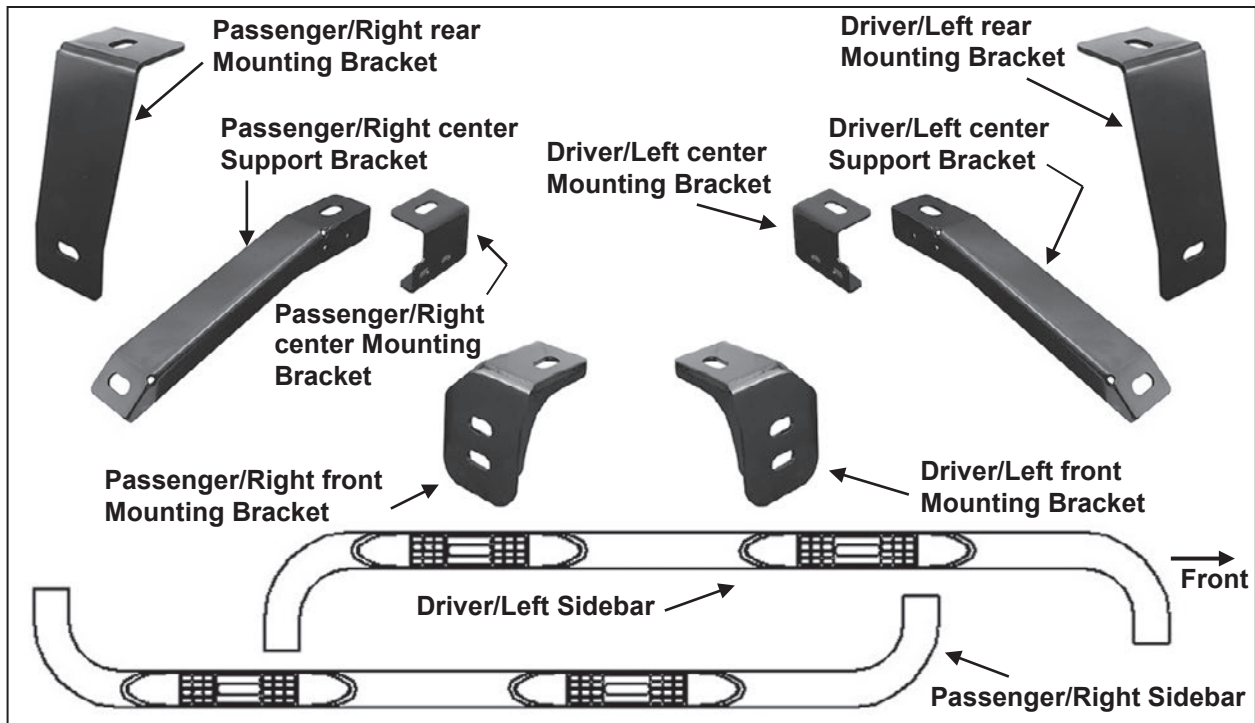
**IMPORTANT ALERT:** GM uses a very strong thread-locking compound on all body bolts. Use of an air assisted impact ratchet can cause damage to the threads on factory body mount bolts and the internal nut assembly because of this thread locking compound.

We only recommend the use of hand tools to slowly remove and reinstall body mount bolts on all GM vehicles.

## **PROCEDURE:**

**CRITICAL INFORMATION:** If during the removal process, it becomes increasingly difficult to unscrew the body mount bolt with hand tools, tighten the bolt several rotations to clear the thread locking compound from the threads, then reverse direction and continue to unscrew until the body mount bolt is out. Repeat this process as necessary on all GM body mount bolts. Use of an appropriate anti-seize compound is highly recommended for re-installation. Tighten body mount bolt to factory torque specifications for your particular model year.





## PROCEDURE:

**REMOVE CONTENTS FROM BOX. VERIFY ALL PARTS ARE PRESENT. READ THE "FACTORY BODY BOLT REMOVAL INSTRUCTIONS" AND INSTALLATION INSTRUCTIONS CAREFULLY BEFORE STARTING INSTALLATION. ASSISTANCE IS RECOMMENDED.**

1. Start installation on the front, driver side of the vehicle. Remove the front body mount bolt, **(Figure 1)**.
2. Select the driver side front Mounting Bracket, **(Figure 2A)**. Insert the factory body mount bolt through the Mounting Bracket, factory washer if equipped and up into the mount. Snug but do not fully tighten the body bolt at this time, **(Figure 2B)**. **VERY IMPORTANT!** To prevent unnecessary noise, adjust the position of all Mounting Brackets so that once tightened, the Mounting Brackets cannot come in contact with the factory steel body mount bracket.
3. Move to the center body mount. Remove the body bolt as previously described. Determine correct procedure for your model and year.

### **2014-On 1500 Double Cab:**

- a. Select the driver/left Support Bracket, **(Figure 3A)**. Repeat **Step 2** to install the Center Support Bracket only, **(Figure 3B)**.

### **1999-2013 1500, 1999-2015 25-3500:**

- a. Select the driver side Center Mounting Bracket, **(Figure 3A)**. Attach the Mounting Bracket to the body mount as previously described in **Step 2**, **(Figure 3C)**. Make sure the Bracket is straight and tighten the body bolt.

- b. Select the driver side Center Support Bracket, **(Figure 3A)**. Bolt the Support Bracket to the inside of the Mounting Bracket with (2) 8mm Hex Bolts, (2) 8mm Lock Washers and (2) 8mm Flat Washers, **(Figure 3C)**. Leave 8mm hardware loose.
4. Move toward the rear of the vehicle. Select the driver side Rear Mounting Bracket, **(Figure 4)**. Bolt the rear Mounting Bracket in place as previously described in **Step 2, (Figure 7)**.
5. With assistance, position the diver/left Sidebar up to the front Mounting Bracket. Determine the correct mounting hole to use:
 

**2014-On 1500 Double Cab:** Attach the Sidebar to the top slot in the front Bracket, **(Figures 2A & 5)**.

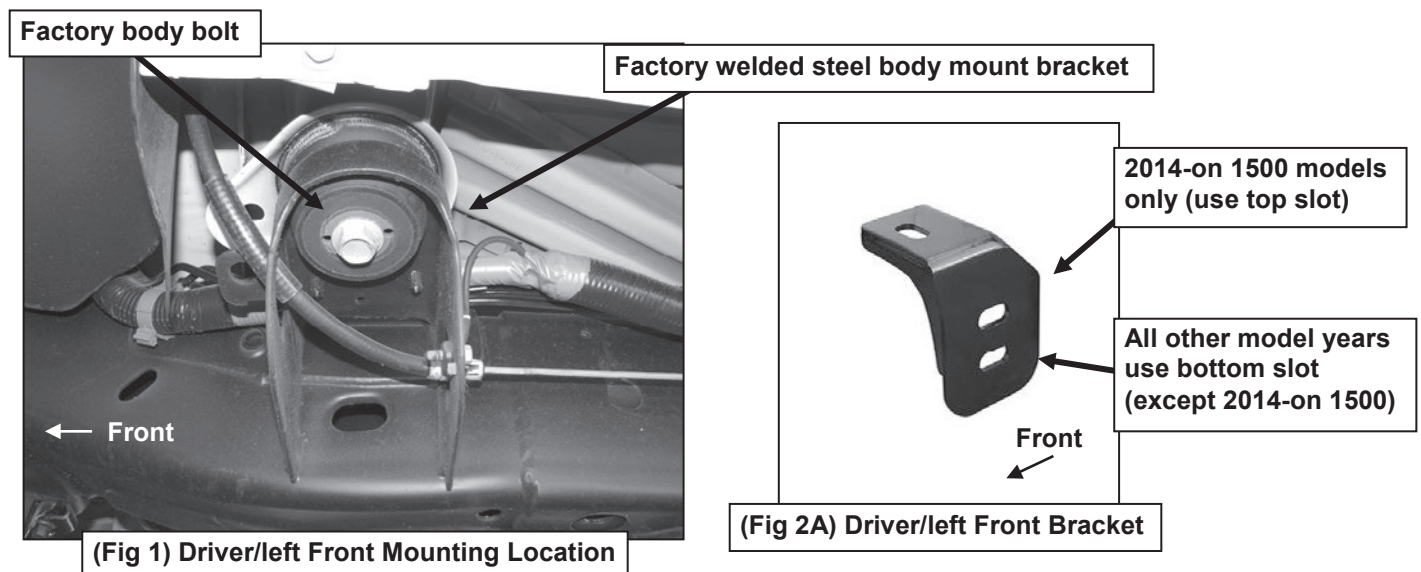
**1999-2013 1500, 1999-2015 25-3500:** Attach the Sidebar to the bottom slot in the front Bracket, **(Figures 2A & 5)**.
6. Attach the front and rear of the Sidebar to the Brackets with the included (2) 1/2" x 2" Hex Bolts, (2) 1/2" Lock Washers and (2) 1/2" Flat Washers, **(Figures 5 & 7)**. Do not tighten hardware at this time.
7. Attach the center Mounting Bracket to the Sidebar with the included (1) 8mm x 25mm Hex Bolt, (1) 8mm Lock Washer and (1) 8mm Flat Washer, **(Figure 6)**. If the Bracket does not line up with the insert, it may be necessary to loosen the body bolt slightly to move the Bracket. Do not tighten the 8mm hardware at this time.
8. Level and adjust the Sidebar and tighten all hardware. Check all mounting locations for clearance between the factory steel body mount brackets and the Mounting Brackets. Adjust Brackets if necessary and once satisfied with fit, fully tighten all hardware.
9. Repeat **Steps 1—8** for passenger Sidebar installation.
10. Do periodic inspections to the installation to make sure that all hardware is secure and tight.

**To protect your investment**, wax this product after installing. Regular waxing is recommended to add a protective layer over the finish. Do not use any type of polish or wax that may contain abrasives that could damage the finish.

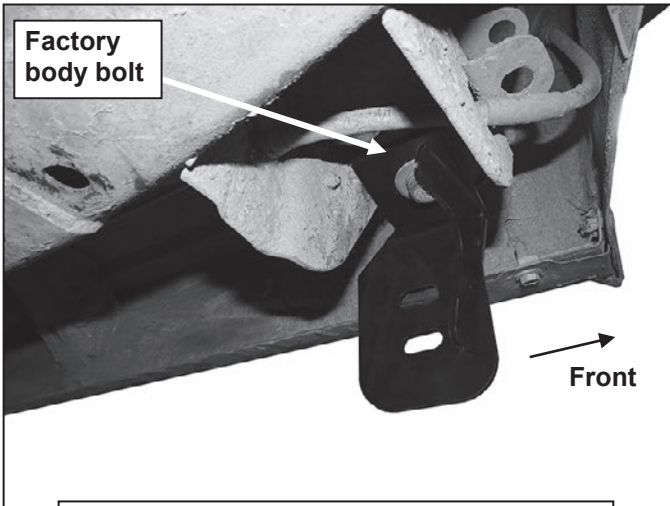
**For stainless steel:** Aluminum polish may be used to polish small scratches and scuffs on the finish. Mild soap may be used also to clean the Sidebar.

**For gloss black finishes:** Mild soap may be used to clean the Sidebar.

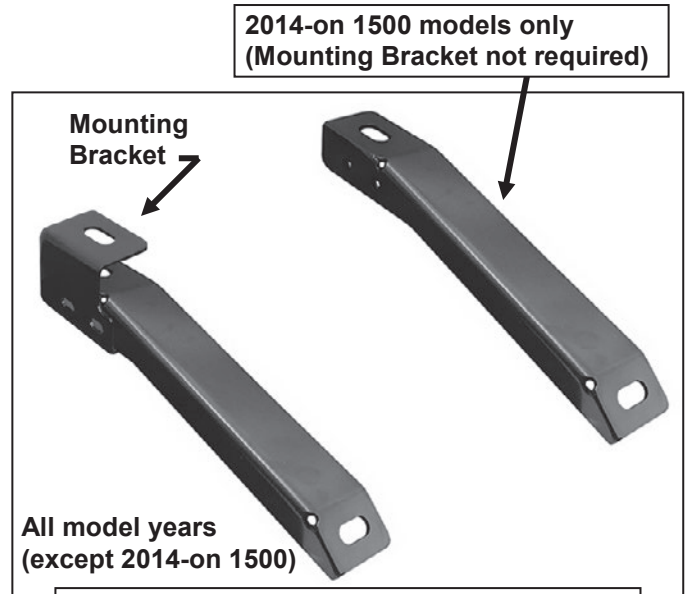
### Driver side installation pictured



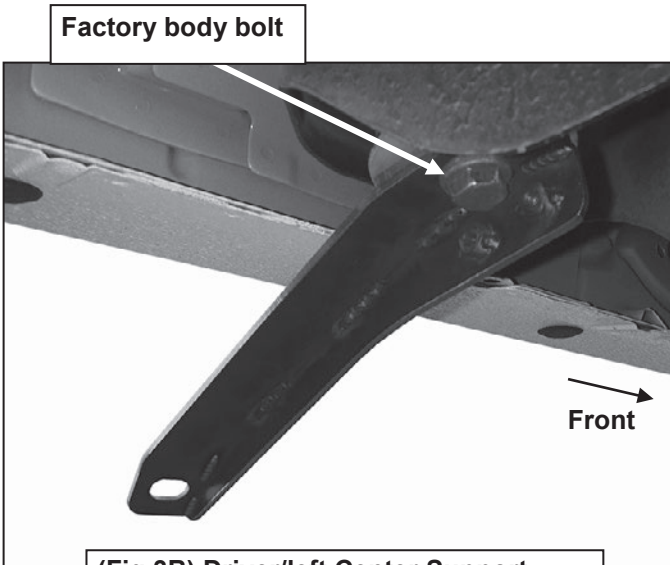
## Driver side installation pictured



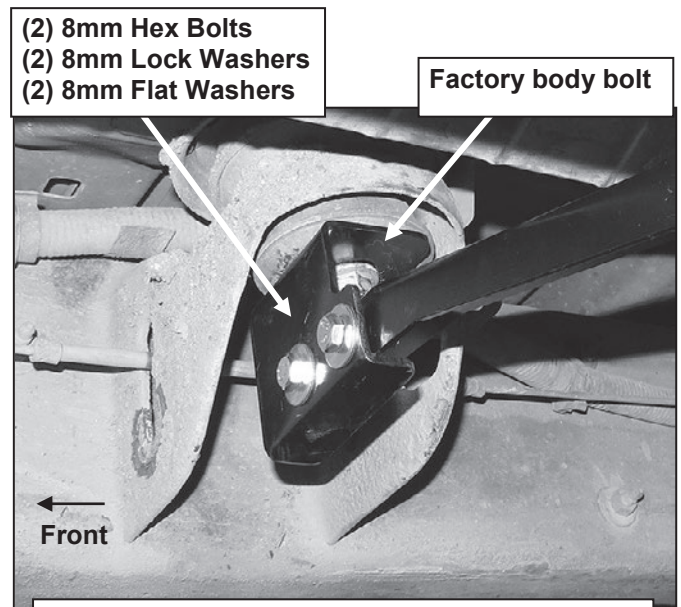
(Fig 2B) Driver/left Front Bracket installed



(Fig 3A) Driver/left Center Bracket assembly



(Fig 3B) Driver/left Center Support Bracket only as installed on 2014 1500



(Fig 3C) Driver/left Center Bracket assembly as installed on all model years (except 2014 1500)

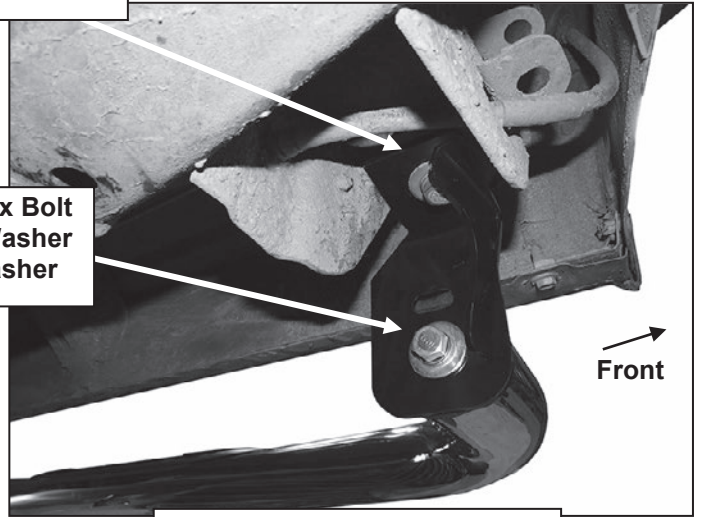
# Driver side installation pictured



(Fig 4) Driver/left rear Bracket

Factory body bolt

1/2" x 2" Hex Bolt  
1/2" Lock Washer  
1/2" Flat Washer



(Fig 5) Driver/left front Bracket

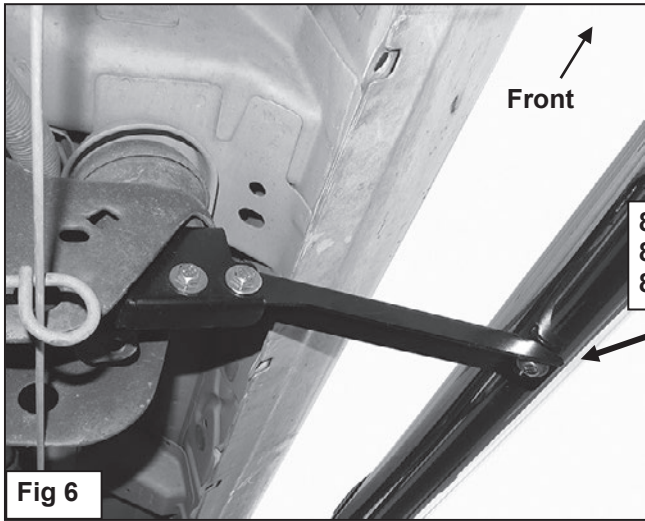


Fig 6

8mm x 25mm Hex Bolt  
8mm Lock Washer  
8mm Flat Washer

Factory body bolt

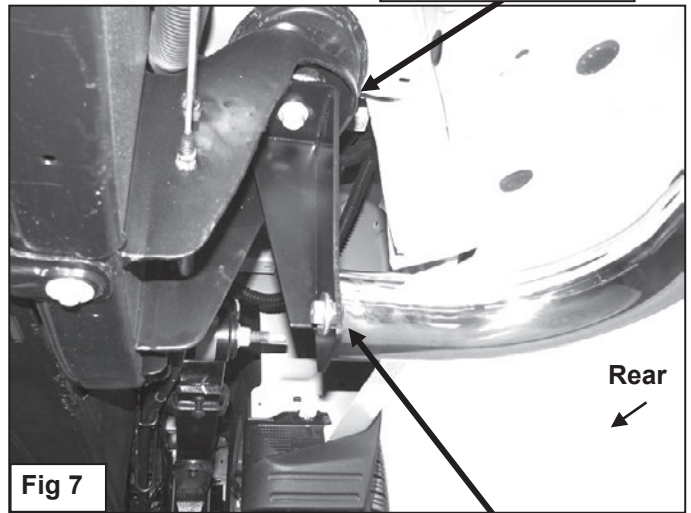


Fig 7

1/2" x 2" Hex Bolt  
1/2" Lock Washer  
1/2" Flat Washer



Complete Installation