

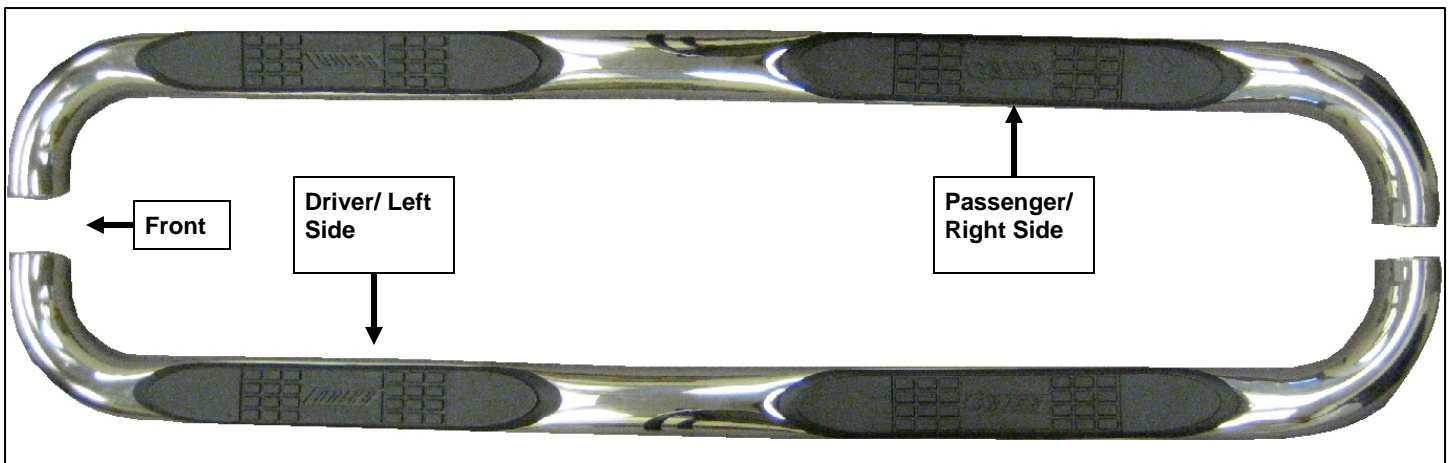
INSTALLATION INSTRUCTIONS

202000 / 202000-2

2003-2008 TOYOTA 4 RUNNER

PARTS LIST:

Qty	Description	Qty	Description
1	Driver/Left Sidebar	4	21mm Lock washers
1	Passenger/Right Sidebar	4	12mm Flat washers
1	Driver/Left Front Mounting Bracket	2	10mm x 25mm Hex Bolts
1	Passenger/Right Front Mounting Bracket	2	10mm Lock washer
1	Driver/Left Rear Mounting Bracket	2	10mm Hex Nuts
1	Passenger/Right Rear Mounting Bracket	4	10mm Flat washers
1	Driver/Left Front Brace Bracket	4	8mm x 25mm Hex Bolts
1	Passenger/Right Front Brace Bracket	4	8mm Lock washers
4	12mm X 50mm Hex Bolts	4	8mm ID x 12mm OD x 1.5mm Flat washers



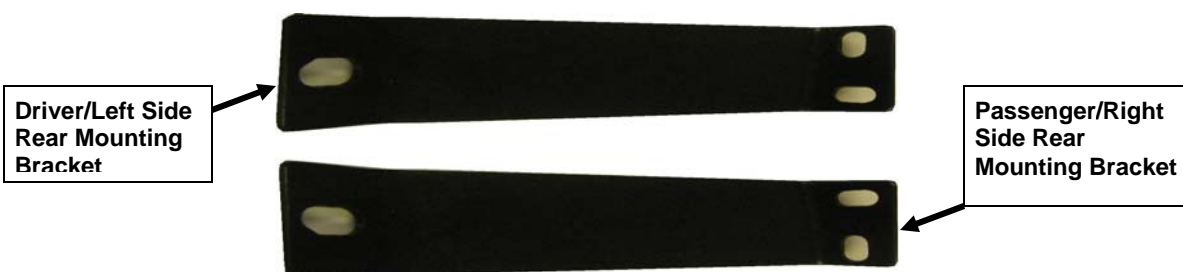
Driver/ Left Side Front Mounting Bracket

Passenger/Right Side Front Mounting Bracket



Driver/Left Side Rear Mounting Bracket

Passenger/Right Side Rear Mounting Bracket



Driver/Left Side Rear Mounting Bracket

Passenger/Right Side Rear Mounting Bracket

PROCEDURE:

1. REMOVE CONTENTS FROM BOX. VERIFY ALL PARTS ARE PRESENT. READ INSTRUCTIONS CAREFULLY BEFORE STARTING INSTALLATION.
2. Remove the Driver/left side front & rear body mount nuts and washers located underside of vehicle. **NOTE:** Use a pair of pliers or a crescent wrench to hold the bolt as you loosen the nut (**Fig 1**)
3. Loosely attach driver side front & rear mounting brackets using the factory nut & washer. **NOTE:** Keep factory rubber bushing and other factory body mount components in place (**Fig 2 & 3**)
4. Locate the two factory thread holes in the inner rocker panel by the rear body mount and attach the driver side brace bracket to these factory holes using the included (2) 8mm x 25mm Hex Bolts (2) 8mm Flat washers (2) 8mm Lock washers. Attach opposite side of rear brace bracket to the rear mounting bracket using the (1) 10mm x 25mm Hex Bolt (2) 10mm Flat washers (1) 10mm Lock washer and (1) 10mm Hex nut (**Fig 4**) Snug but do not tighten hardware.
5. Select the Driver/left sidebar from the list of parts above (**Note:** the Rear leg of the side bar is Longer by 1/2" than the front) Attach Driver/left sidebar to front and rear mounting brackets with the supplied (2) 12mm x 50mm Hex Bolts (2) 12mm Flat washers (2) 12mm Lock washers (**Fig 5**) shows mounting bracket attached to sidebar. Snug but do not tighten hardware at this time.
6. Level and align Sidebar properly; then tighten all hardware at this time. (**Fig 6**) shows sidebar attached
7. Repeat steps 2-6 for Passenger/right Sidebar.
8. Do periodic inspections to the installation to make sure all hardware is secure and tight.

To protect your investment, wax this product after installing. Regular waxing is recommended to add a protective layer over the finish. Do not use any type of polish or wax that may contain abrasives that could damage the finish.

For stainless steel: Aluminum polish may be used to polish small scratches and scuffs on the finish. Mild soap may be used also to clean the Sidebar.

For gloss black finishes: Mild soap may be used to clean the Sidebar.

DRIVER SIDE INSTALLATION PICTURED

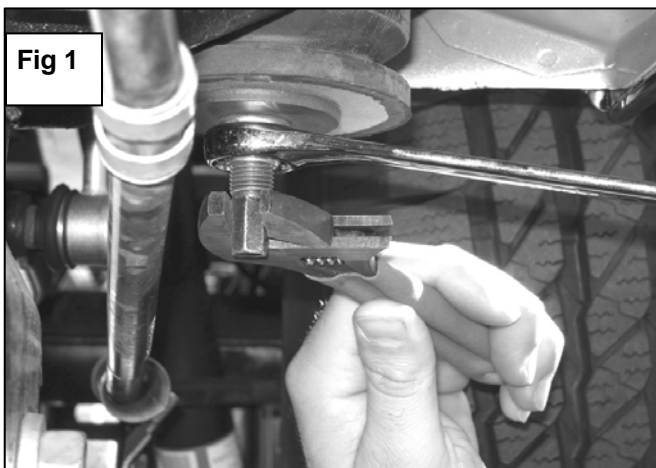
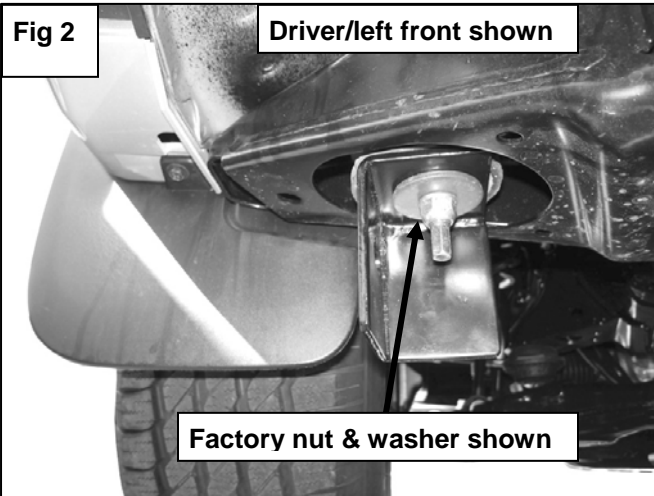


Fig 2

Driver/left front shown



Factory nut & washer shown

Fig 3

Driver/left rear shown

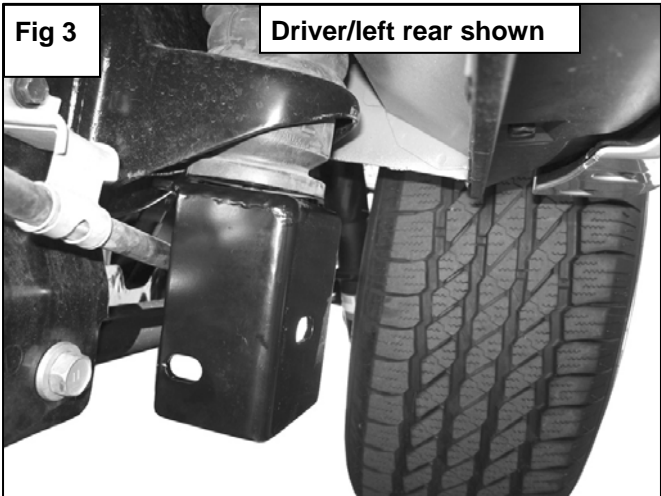


Fig 4

**8mm x 25mm Hex Bolts
8mm Lock Washers
8mm Flat Washers**

**10mm x 25mm Hex Bolt
10mm Lock Washer
10mm Hex Nut
10mm Flat Washer**

Rear Support Bracket

Rear Mounting Bracket

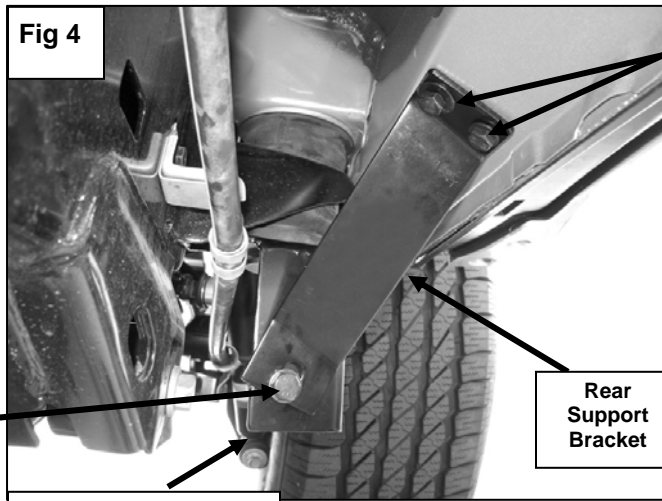
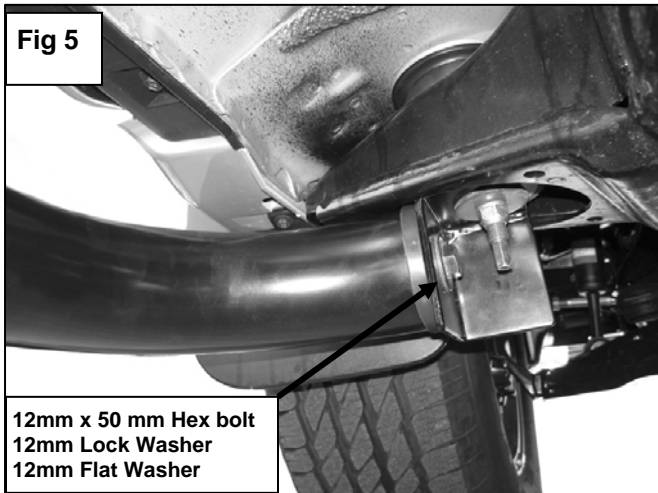


Fig 5



**12mm x 50 mm Hex bolt
12mm Lock Washer
12mm Flat Washer**

Fig 6

Installation Complete

