



7929 Lincoln Ave. Riverside, CA 92504
 Phone: 951.689.ICON Fax: 951.689.1016

Instruction Sheet:

PART# IVD6110B	2005-Current Ford F-250/F-350 4WD 1.5" Leveling Kit
-----------------------	--

Enclosed Parts List
(2) 1.5" Coil Spacers
Hardware Included
(2) M14 x 90mm Bolts (2) M14 Flat Washers

Vehicle Applications
2005-CURRENT F-250 4WD 2005-CURRENT F-350 4WD

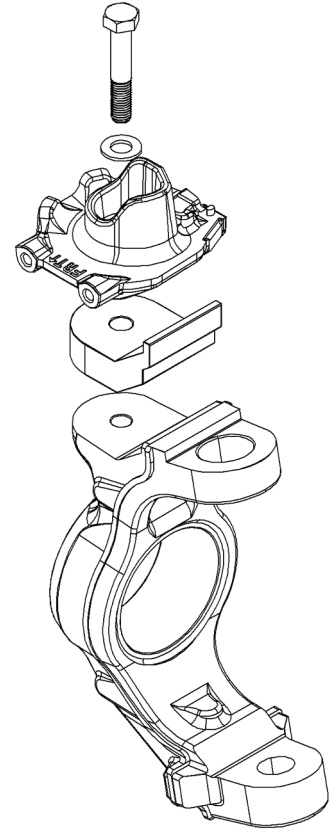
Installation Notes
** Installation by a certified mechanic is highly recommended. **
** ICON Vehicle Dynamics is not responsible for any damage or failure resulting from improper installation. **
** WARNING! ICON Vehicle Dynamics recommends that you exercise extreme caution when working under a vehicle that is supported with jack stands. **

**** READ ALL INSTRUCTIONS THOROUGHLY FROM START TO FINISH BEFORE BEGINNING INSTALLATION! IF THESE INSTRUCTIONS ARE NOT PROPERLY FOLLOWED SEVERE FRAME, SUSPENSION, AND TIRE DAMAGE MAY RESULT TO THE VEHICLE! ****

BEGIN INSTALLATION

- 1. ENSURE TRUCK IS IN GEAR OR IN PARK, SET PARKING BRAKE, TURN OFF ENGINE AND CHOCK TIRES!**
- 2.** With the vehicle sitting on level ground, measure from the center of the front wheel hub to the top of the fender opening. Record this measurement; you will refer to it later to determine total lift height.
- 3.** Using a heavy duty jack, raise up the front of the truck and support with jack stands under the frame rail.
- 4.** Remove wheels and tires.
- 5.** Loosen and remove lower shock bolts from front end of vehicle.
- 6.** Remove the nuts on the lower ends of the sway bar end links
- 7.** Unbolt the upper and lower brake line brackets from the coil bucket and lower coil mount, respectively.
- 8.** Slowly lower the front axle down until coils are free of upper mounts. (Pay attention to brake lines, vacuum lines and breather hose. Also beware that the axle will move side to side with the arch of the track bar.)
- 9.** Remove the coil springs from lower mounts by simply pulling up and twisting counter clockwise.

10. Remove the bolt from the center of lower coil seat. (Be cautious with the seat, the ABS wire should still be attached to it.)
11. Install the IVD Leveling Suspension coil spacer in between the axle and the lower coil mount.
12. Install the supplied 14mm bolts through the stock mounts and the coil spacers then torque bolts to 100ft-lbs.
13. Reinstall front coils. You may need to lower the front axle more so that the coils will fit with the spacers.
14. Now jack the front axle up. As you raise it make sure to align the coils with their upper mounts.
15. Once the coils are in position and some of the vehicles weight is on the front end, start bolting all the removed parts back on. (Brake line mounts, sway bar end links, and lower shock bolts)
16. Install wheels and tires, torque lugs to factory specs.
17. Once installation is complete, lower vehicle to the ground and roll truck back and forth to allow suspension to settle. Test drive vehicle re-check the torque of all fasteners and re-torque wheels on vehicle after first 100 miles of use. Failure to perform the post inspection checks may result in vehicle component damage and/or personal injury or death to driver and/or passengers.
18. It is recommended that you have your vehicle professionally aligned whenever lift components are installed. A certified alignment technician with lifted vehicle experience is highly recommended. Adjust headlights whenever vehicle has been lifted or lowered for proper orientation.



**** Installer is responsible for ensuring vehicle safety and handling ability after performing modifications to suspension. ****

ICON Vehicle Dynamics LIMITED LIFETIME WARRANTY

ICON Vehicle Dynamics warrants to the original retail purchaser who owns the vehicle on which the product was originally installed. ICON Vehicle Dynamics does not warrant the product for finish, alterations, modifications and/or installation contrary to ICON Vehicle Dynamics instructions. ICON Vehicle Dynamics products are not designed, nor are they intended to be installed on vehicles used in race applications, for racing purposes or for similar activities. A "race" is defined as any contest between two or more vehicles, or a contest of one or more vehicles against the clock, whether or not such contest is for a prize. This warranty does not include coverage for police or taxi vehicles, race vehicles, or vehicles used for government or commercial purposes. Also excluded from this warranty are sales outside of the United States of America and Canada.

ICON Vehicle Dynamics' obligation under this warranty is limited to the repair or replacement, at ICON Vehicle Dynamics' discretion, of the defective product. Any and all costs of removal, installation or re-installation, freight charges and incidental or consequential damages are expressly excluded from this warranty. Items that are subject to wear are not considered defective when worn and are not covered. ICON Vehicle Dynamics components must be installed as a complete kit as shown in our current application guide. Any substitutions or exemptions of required components will immediately void the warranty. Some finish damage may happen to parts during shipping and is not covered under warranty. This warranty is expressly in lieu of all other warranties expressed or implied. This warranty shall not apply to any product that has been improperly installed, modified or customized subject to accident, negligence, abuse or misuse.

ICON Vehicle Dynamics
7929 Lincoln Ave. Riverside, CA 92504 Phone: 951.689.ICON Fax: 951.689.1016
www.iconvehicledynamics.com